



Chipsmall Limited consists of a professional team with an average of over 10 year of expertise in the distribution of electronic components. Based in Hongkong, we have already established firm and mutual-benefit business relationships with customers from,Europe,America and south Asia,supplying obsolete and hard-to-find components to meet their specific needs.

With the principle of “Quality Parts,Customers Priority,Honest Operation,and Considerate Service”,our business mainly focus on the distribution of electronic components. Line cards we deal with include Microchip,ALPS,ROHM,Xilinx,Pulse,ON,Everlight and Freescale. Main products comprise IC,Modules,Potentiometer,IC Socket,Relay,Connector.Our parts cover such applications as commercial,industrial, and automotives areas.

We are looking forward to setting up business relationship with you and hope to provide you with the best service and solution. Let us make a better world for our industry!



## Contact us

Tel: +86-755-8981 8866 Fax: +86-755-8427 6832

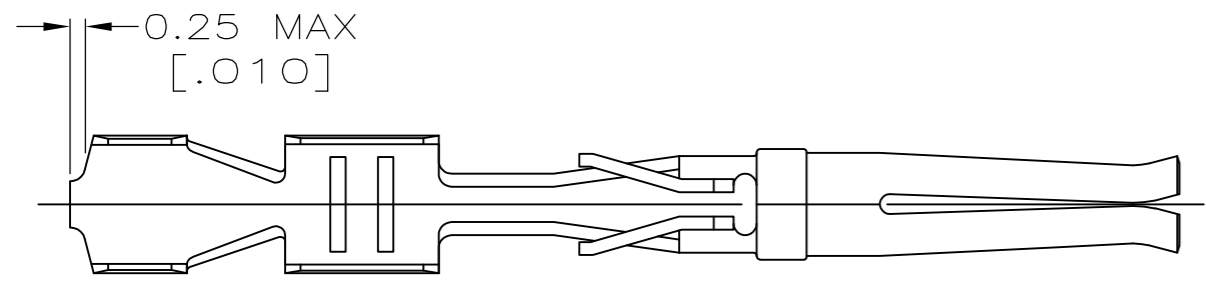
Email & Skype: info@chipsmall.com Web: www.chipsmall.com

Address: A1208, Overseas Decoration Building, #122 Zhenhua RD., Futian, Shenzhen, China

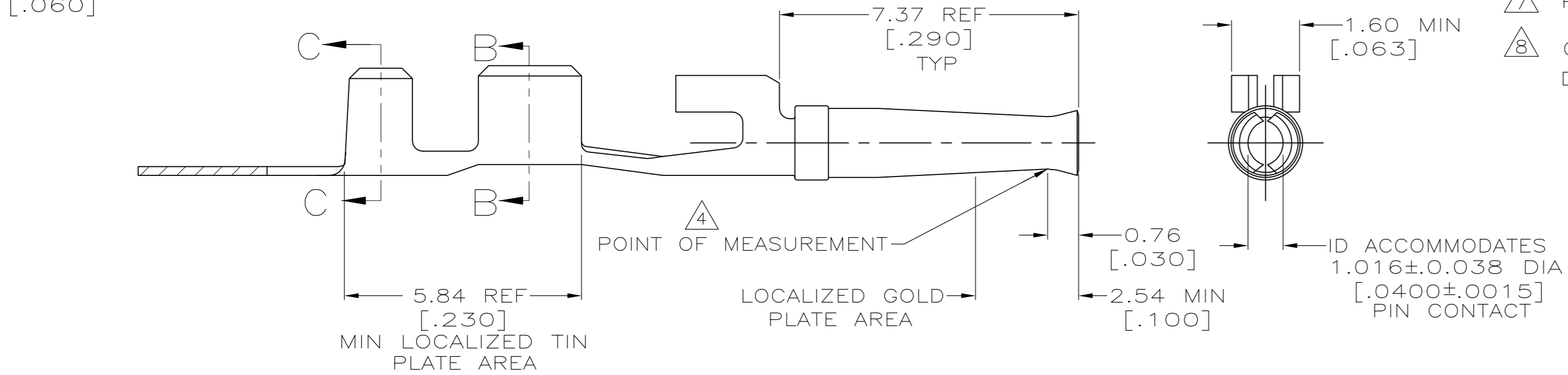
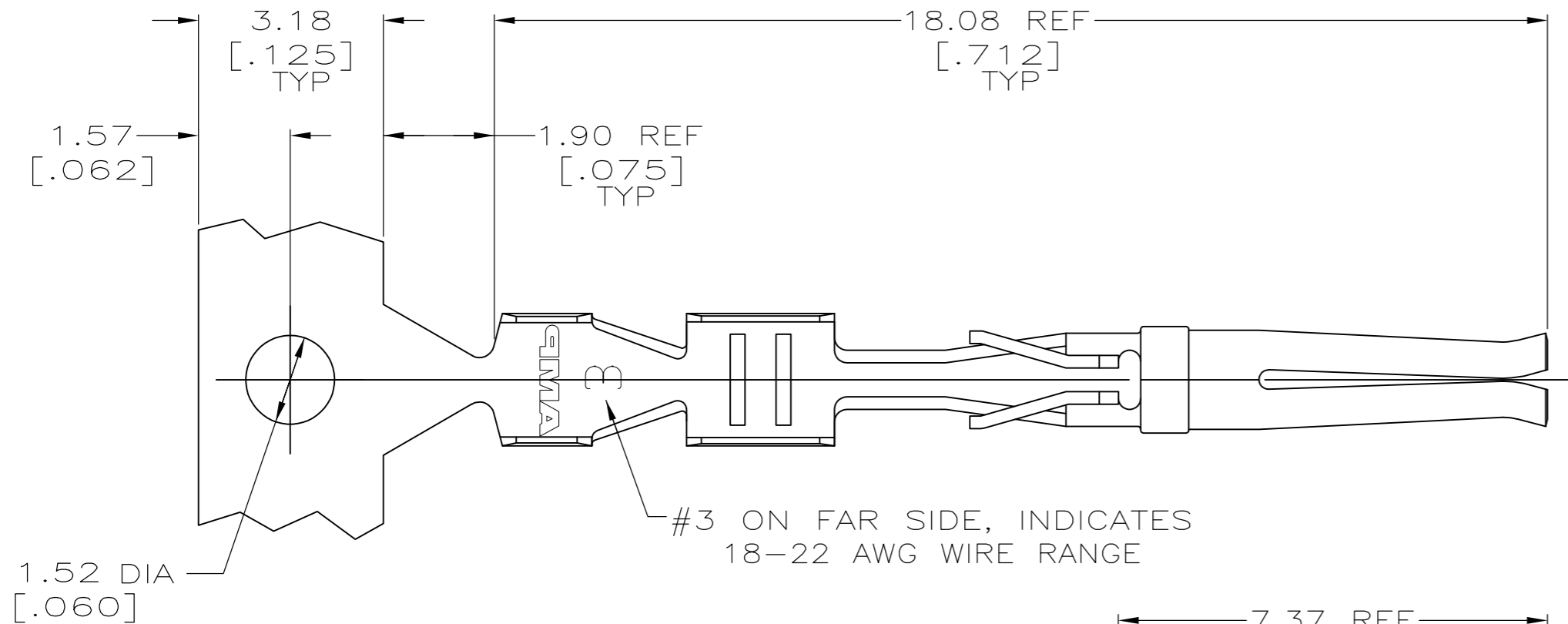


THIS DRAWING IS UNPUBLISHED. RELEASED FOR PUBLICATION  
 © COPYRIGHT BY TYCO ELECTRONICS CORPORATION. ALL RIGHTS RESERVED.

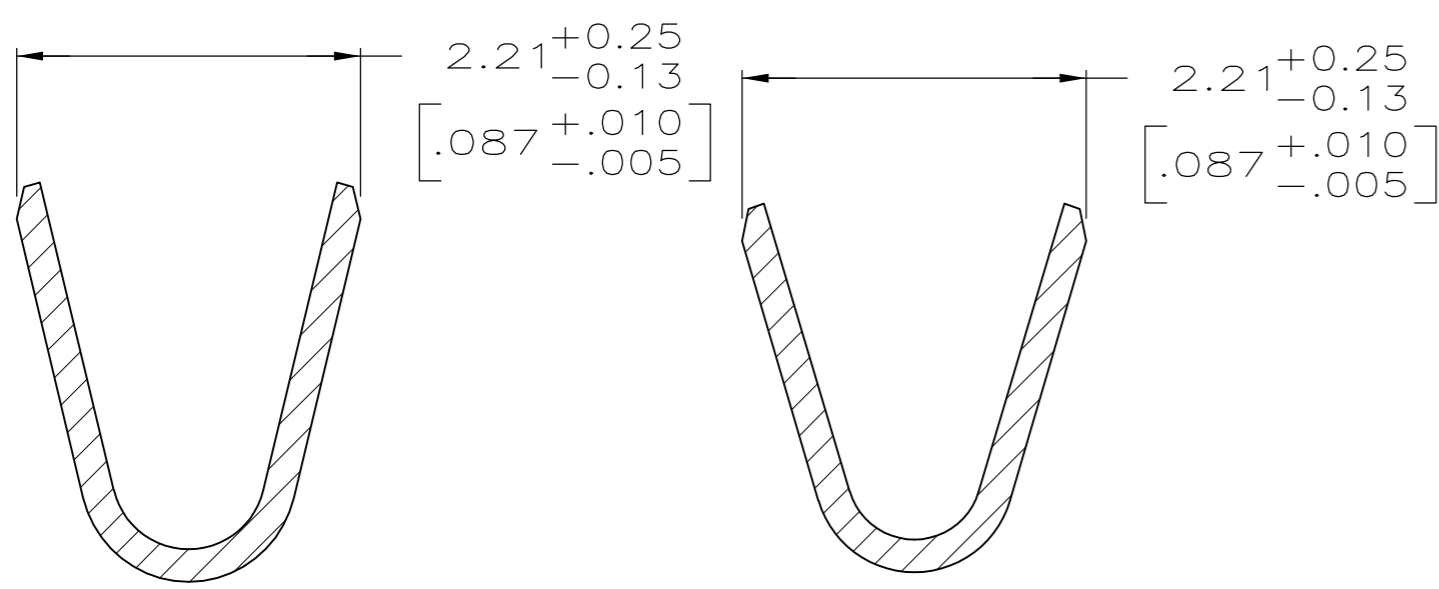
LOC	DIST	REVISIONS					
		P	LTR	DESCRIPTION	DATE	DWN	APVD
GP	00		K3	REVISED PER ECO-07-008164	10AUG07	JDP	CWR
			K4	REVISED PER ECO-09-021510	15SEP09	KK	AEG



DETAIL Z  
SCALE 8:1



- ① GOLD PLATING PER MIL-G-45204, TIN PLATING PER MIL-T-10727, NICKEL PLATING PER QQ-N-290.
- ② 0.76 μm [.000030] MIN GOLD IN LOCALIZED GOLD PLATE AREA, 2.54 μm [.000100] MIN BRIGHT TIN OR BRIGHT TIN-LEAD IN MIN LOCALIZED TIN PLATE AREA, ALL OVER 0.76 μm [.000030] MIN NICKEL.
- ③ GOLD FLASH IN LOCALIZED GOLD PLATE AREA, 2.54 μm [.000100] MIN BRIGHT TIN OR BRIGHT TIN-LEAD IN MIN LOCALIZED TIN PLATE AREA, ALL OVER 0.76 μm [.000030] MIN NICKEL.
- ④ POINT OF MEASUREMENT FOR GOLD AND NICKEL IS ON THE INSIDE SURFACE FOR NOTE ② AND ⑥ ONLY, AND OUTSIDE SURFACE FOR NOTE ③ AND ⑤.
- ⑤ GOLD FLASH IN LOCALIZED GOLD PLATE AREA, 2.54 μm [.0001] MIN MATTE TIN IN LOCALIZED TIN PLATE AREA, ALL OVER 0.76 μm [.000030] MIN NICKEL UNDERPLATE.
- ⑥ 0.76 μm [.00030] MIN GOLD IN LOCALIZED GOLD PLATE AREA, 2.54 μm [.0001] MIN MATTE TIN IN LOCALIZED TIN PLATE AREA, ALL OVER 1.27 μm [.000050] MIN NICKEL UNDERPLATE.
- ⑦ PHOSPHOR BRONZE PER QQ-B-750.
- ⑧ OBSOLETE PARTS: OBSOLETE CIS STREAMLINING PER D.RENAUD/D.SINISI



SECTION C-C  
SCALE 20:1

SECTION B-B  
SCALE 20:1

REVISION	DESCRIPTION	DATE	BY	CHKD
⑧	OBSOLETE	-	-	-
⑤	OBSOLETE	-	-	-
⑥	DETAIL Z	745270-9	-	-
③	DETAIL Z	745270-8	-	-
③	DETAIL Z	745270-7	-	-
③	DETAIL Z	745270-6	-	-
③	DETAIL Z	745270-5	-	-
②	DETAIL Z	745270-4	-	-
②	DETAIL Z	745270-3	-	-
②	DETAIL Z	745270-2	-	-
FINISH	LOOSE PIECE			
				PART NO

THIS DRAWING IS A CONTROLLED DOCUMENT.		DWN L. VARELA - DOCK5 11-15-04	Tyco Electronics Corporation Harrisburg, PA 17105-3608	
DIMENSIONS: mm [INCHES]		CHK J. GERACE 11-15-04	NAME CONTACT SOCKET, OPEN BARREL, #18-22, HDE-20, AMPLIMITE	
TOLERANCES UNLESS OTHERWISE SPECIFIED:		APVD M. WALMSLEY 11-15-04	SIZE A2 CAGE CODE 00779 C=745270	
0 PLC ± -	1 PLC ± -	PRODUCT SPEC 108-40011	DRAWING NO 114-40003	
2 PLC ± 0.13 [.005]	3 PLC ± -	APPLICATION SPEC	RESTRICTED TO -	
4 PLC ± -	ANGLES ± -	WEIGHT -	SCALE 10:1 SHEET 1 OF 1 REV K4	
MATERIAL ⑦	FINISH ① SEE TABLE	CUSTOMER DRAWING		