



Chipsmall Limited consists of a professional team with an average of over 10 year of expertise in the distribution of electronic components. Based in Hongkong, we have already established firm and mutual-benefit business relationships with customers from,Europe,America and south Asia,supplying obsolete and hard-to-find components to meet their specific needs.

With the principle of “Quality Parts,Customers Priority,Honest Operation,and Considerate Service”,our business mainly focus on the distribution of electronic components. Line cards we deal with include Microchip,ALPS,ROHM,Xilinx,Pulse,ON,Everlight and Freescale. Main products comprise IC,Modules,Potentiometer,IC Socket,Relay,Connector.Our parts cover such applications as commercial,industrial, and automotives areas.

We are looking forward to setting up business relationship with you and hope to provide you with the best service and solution. Let us make a better world for our industry!



Contact us

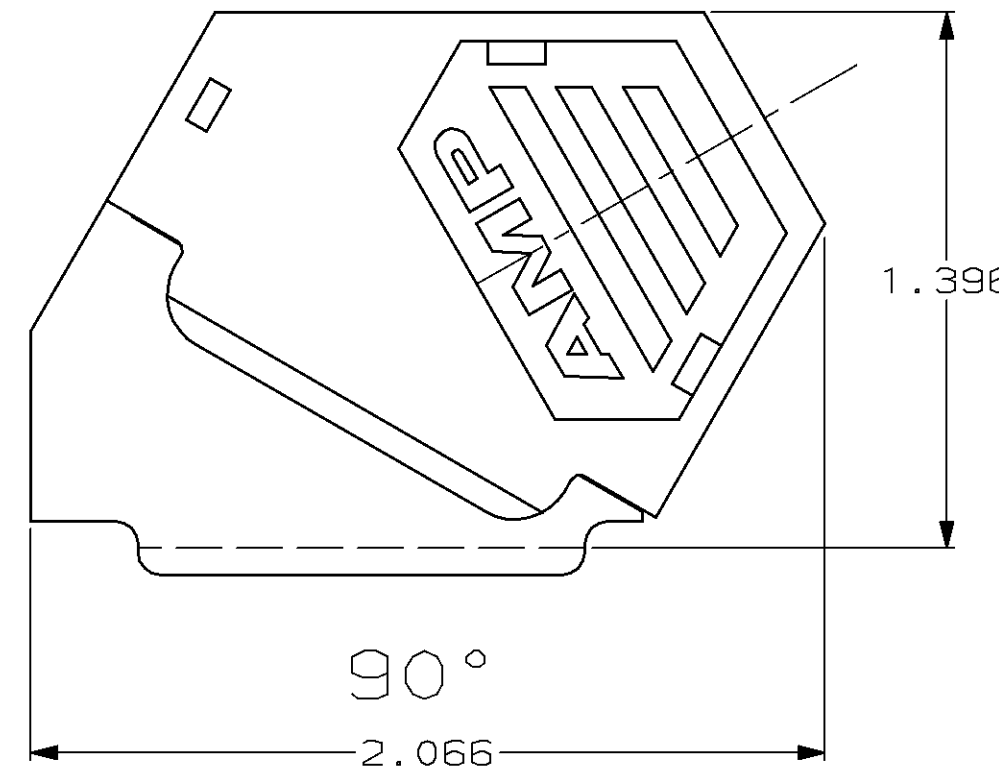
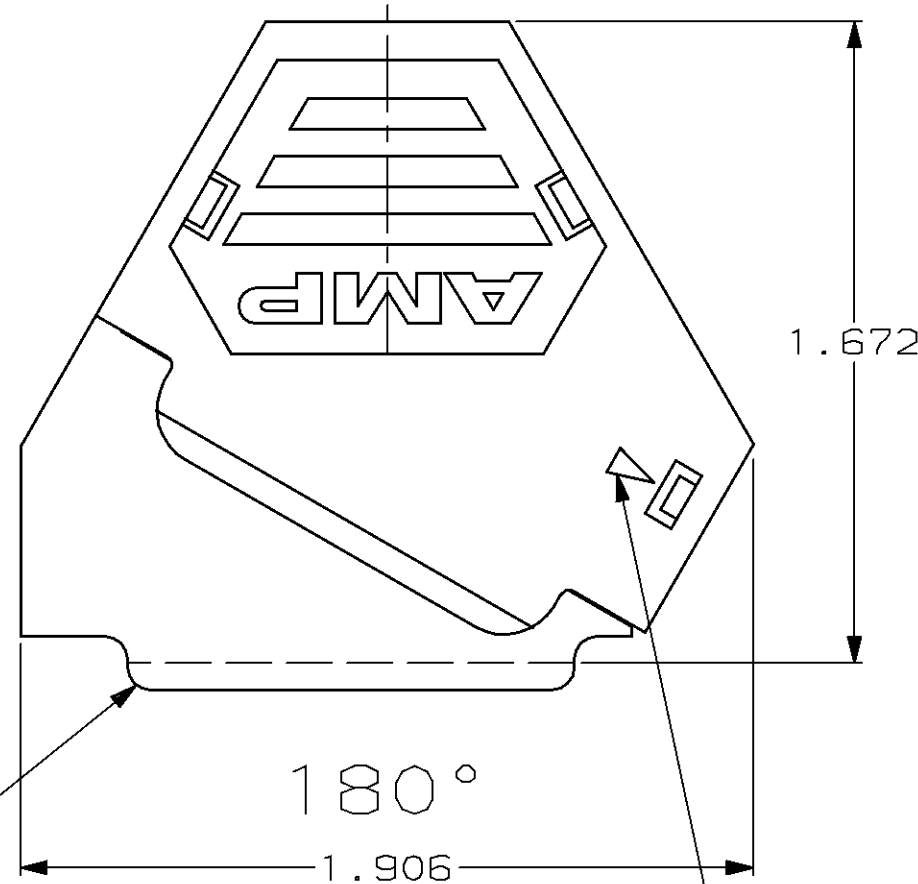
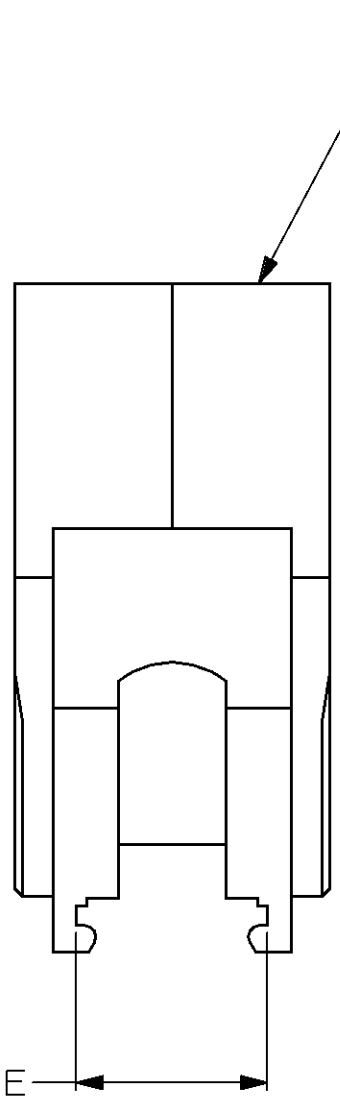
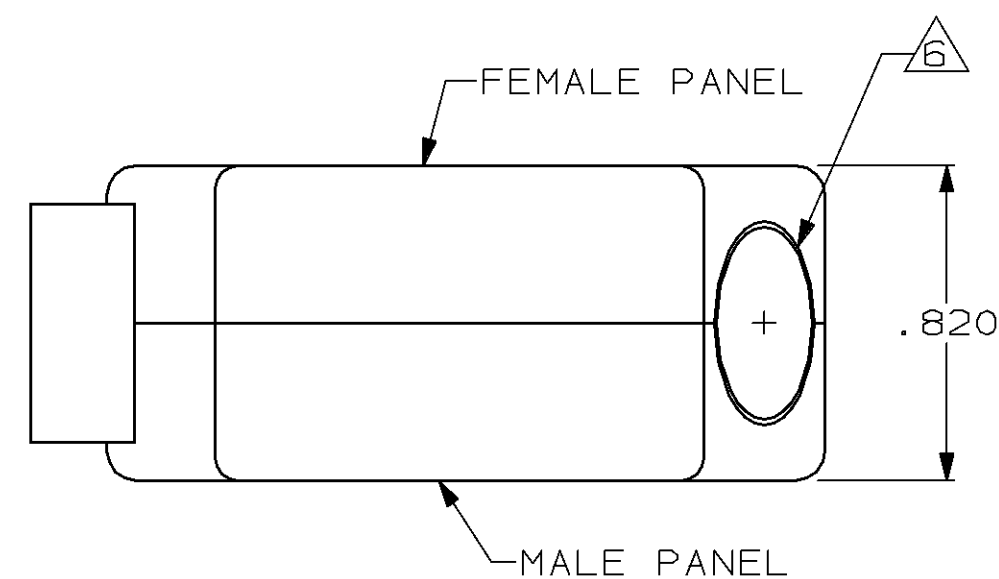
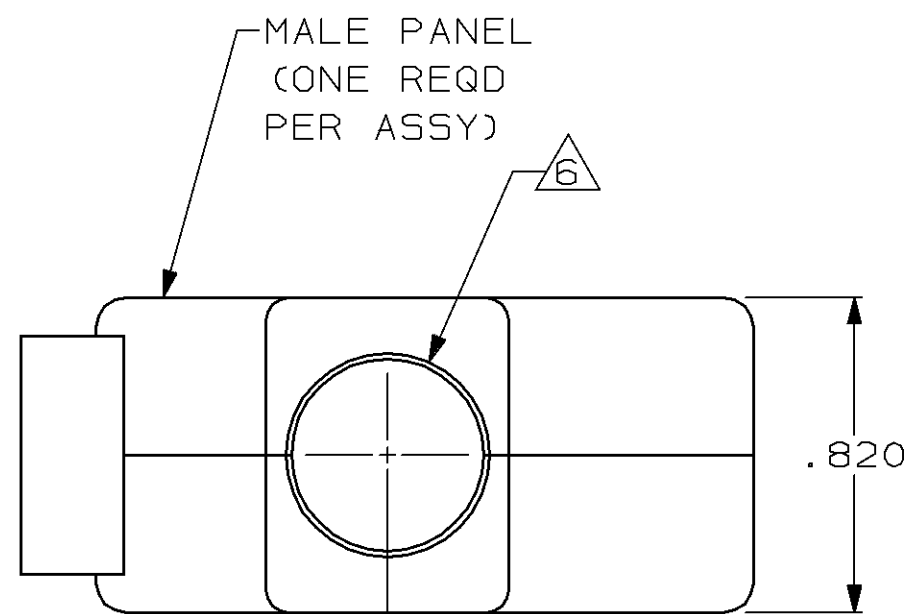
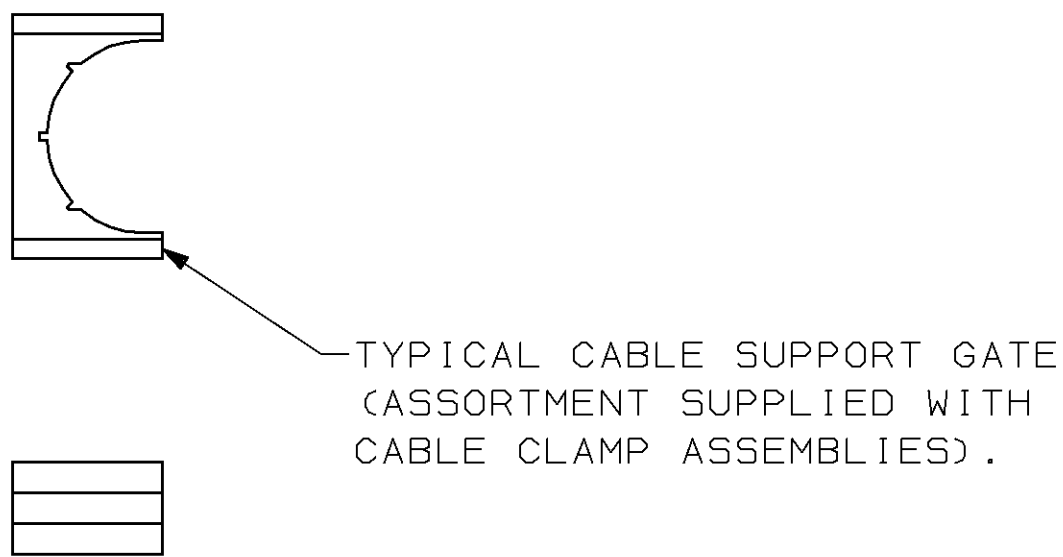
Tel: +86-755-8981 8866 Fax: +86-755-8427 6832

Email & Skype: info@chipsmall.com Web: www.chipsmall.com

Address: A1208, Overseas Decoration Building, #122 Zhenhua RD., Futian, Shenzhen, China



LOC	DIST	P	F	ZONE	LTR	DESCRIPTION	DATE	APPD
BD	48				C	REDRAWN ON CAD	5-10-90	-
					D	REV PER ECN BD6079	06/16/92	RM
					E	OBSOLETE -2 PER EC 0020-712-95	03 FEB 96	CS



- ① ALL PARTS PACKAGED UNASSEMBLED.
- ② SAME PARTS CAN BE ASSEMBLED IN EITHER 180° OR 90° CONFIGURATION, AS SHOWN.
- ③ KIT CONSISTING OF FOUR INDIVIDUAL PARTS, AS SHOWN.
- ④ EACH PART IS INDIVIDUALLY BULK PACKED FOR MULTIPLE KIT ORDERS.
- 5. PARTS ASSEMBLE WITHOUT HARDWARE.
- ⑥ CLAMP ACCOMMODATES DISCRETE WIRES OR JACKETED CABLE UP TO .550 INCH DIAMETER.

OBSOLETE	④	745306-2
	①②③	745306-1
	PACKAGING	PART NUMBER

DO NOT SCALE PRINT. UNLESS SPECIFIED DIMENSIONS IN INCHES TOLERANCES ON : 2 PLC DEC ± - 3 PLC DEC ± .015 ANGLES ± -	DR 5-10-90 J.GALLUCCI BG	AMP INCORPORATED Harrisburg, Pa. 17105	
	CHK 6-15-90 W.LENKER		
MATERIAL BLACK THERMOPLASTIC	APPD 7-9-90 J.WESTMAN	NAME	
	APPD 7-16-90 J.ASSINI	KIT, CABLE CLAMP ASSY, SIZE 3, AMPLIMITE™	
FINISH -	PRODUCT SPEC -	SIZE C	FSCM NO 00779
	APPLICATION SPEC -	SCALE 2:1	DRAWING NO 745306
WEIGHT -			SHEET 1 OF 1