



Chipsmall Limited consists of a professional team with an average of over 10 year of expertise in the distribution of electronic components. Based in Hongkong, we have already established firm and mutual-benefit business relationships with customers from,Europe,America and south Asia,supplying obsolete and hard-to-find components to meet their specific needs.

With the principle of “Quality Parts,Customers Priority,Honest Operation,and Considerate Service”,our business mainly focus on the distribution of electronic components. Line cards we deal with include Microchip,ALPS,ROHM,Xilinx,Pulse,ON,Everlight and Freescale. Main products comprise IC,Modules,Potentiometer,IC Socket,Relay,Connector.Our parts cover such applications as commercial,industrial, and automotives areas.

We are looking forward to setting up business relationship with you and hope to provide you with the best service and solution. Let us make a better world for our industry!



Contact us

Tel: +86-755-8981 8866 Fax: +86-755-8427 6832

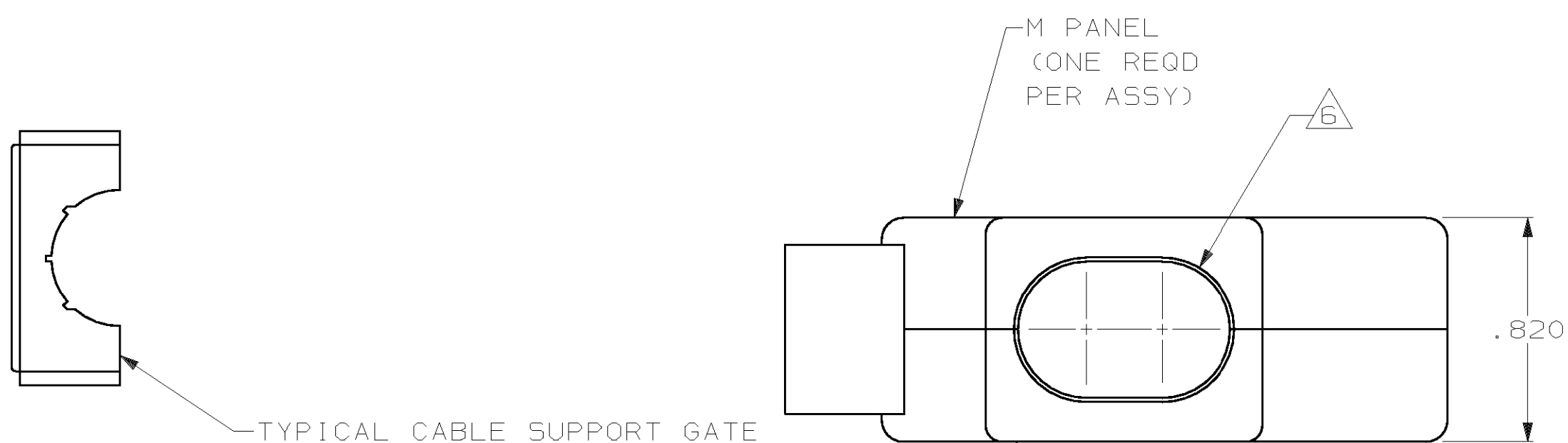
Email & Skype: info@chipsmall.com Web: www.chipsmall.com

Address: A1208, Overseas Decoration Building, #122 Zhenhua RD., Futian, Shenzhen, China

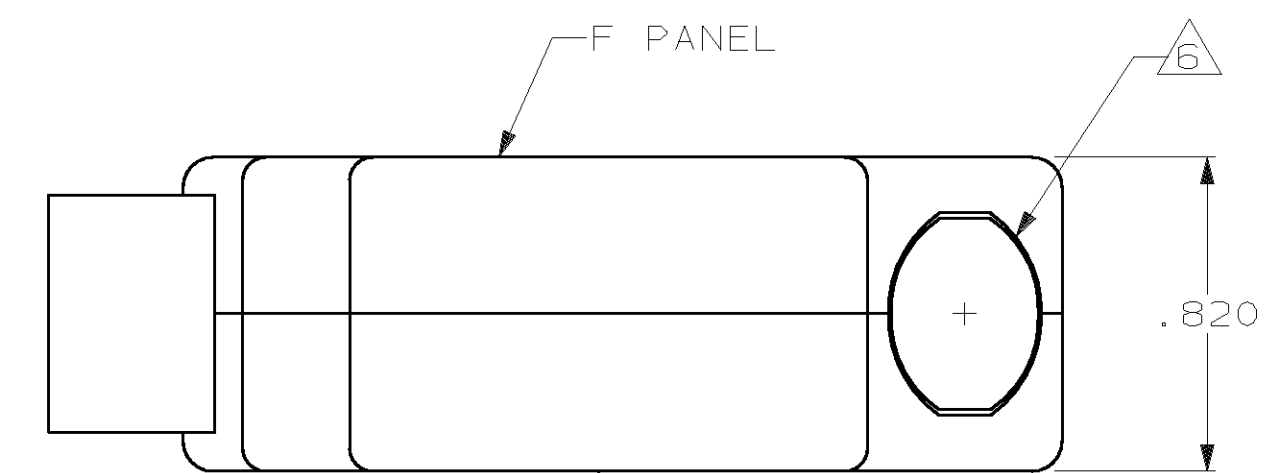
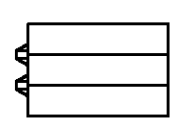


THIS DRAWING IS UNPUBLISHED. RELEASED FOR PUBLICATION
 © COPYRIGHT 19 BY AMP INCORPORATED. ALL INTERNATIONAL RIGHTS RESERVED.

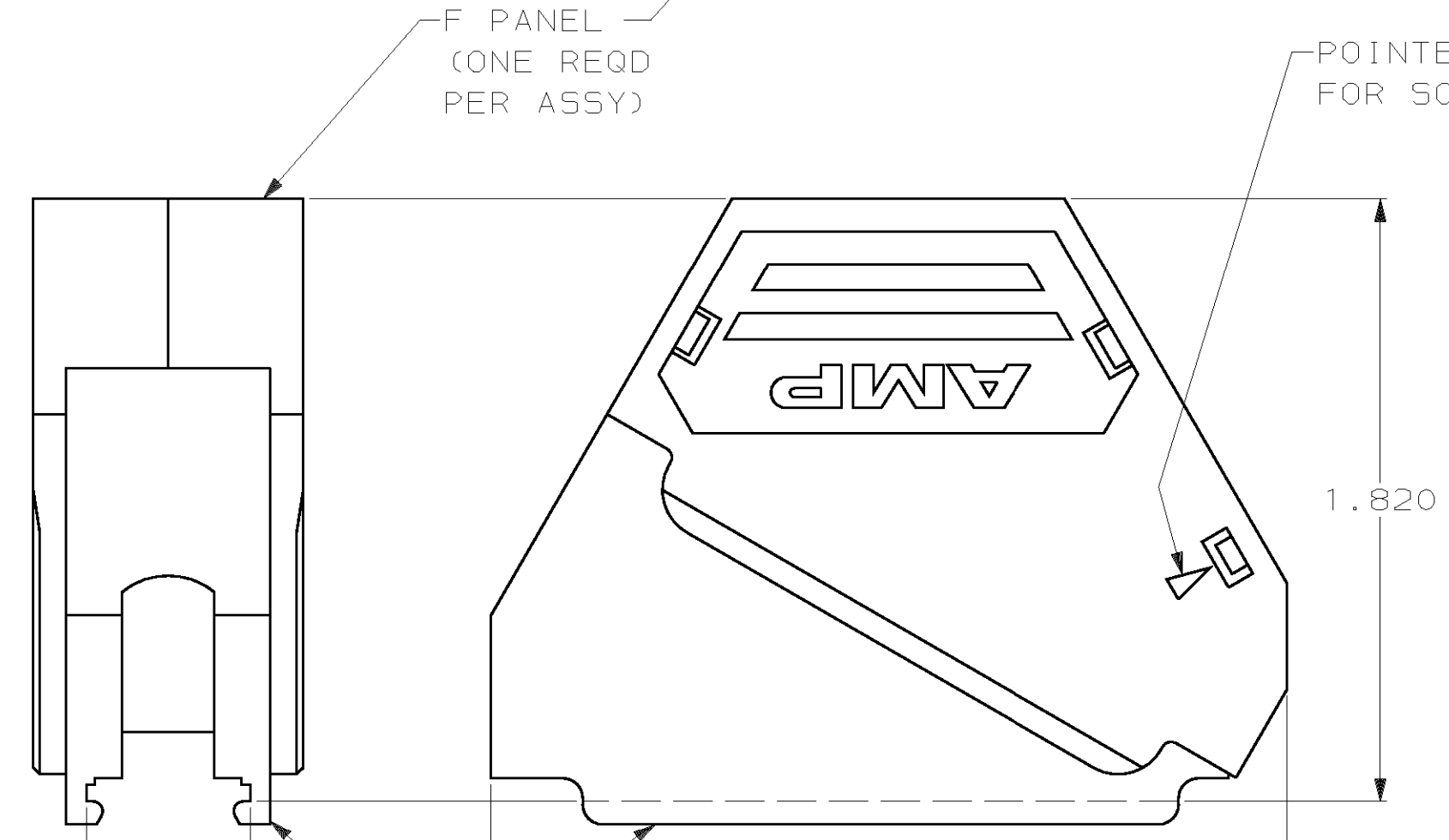
LOC		DIST		P		F		ZONE		LTR		REVISIONS	
BD		0										DESCRIPTION	
												DATE	
												APPD	
										B	REDRAWN ON CAD	5-11-90	-
										C	REV PER EC 0020-285-92	07/20/93	JM
										D	OBS -2 PER EC 0U1D-0245-00	05 FEB 01	DK



TYPICAL CABLE SUPPORT GATE (ASSORTMENT SUPPLIED WITH CABLE CLAMP ASSEMBLIES).

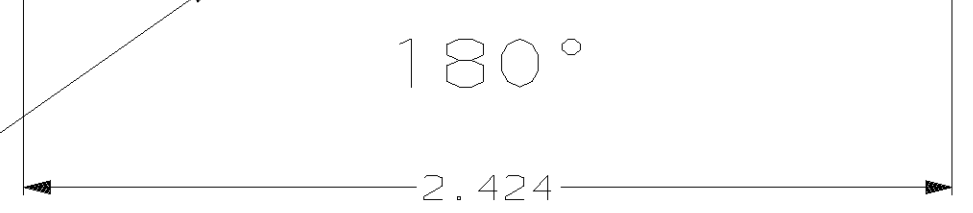
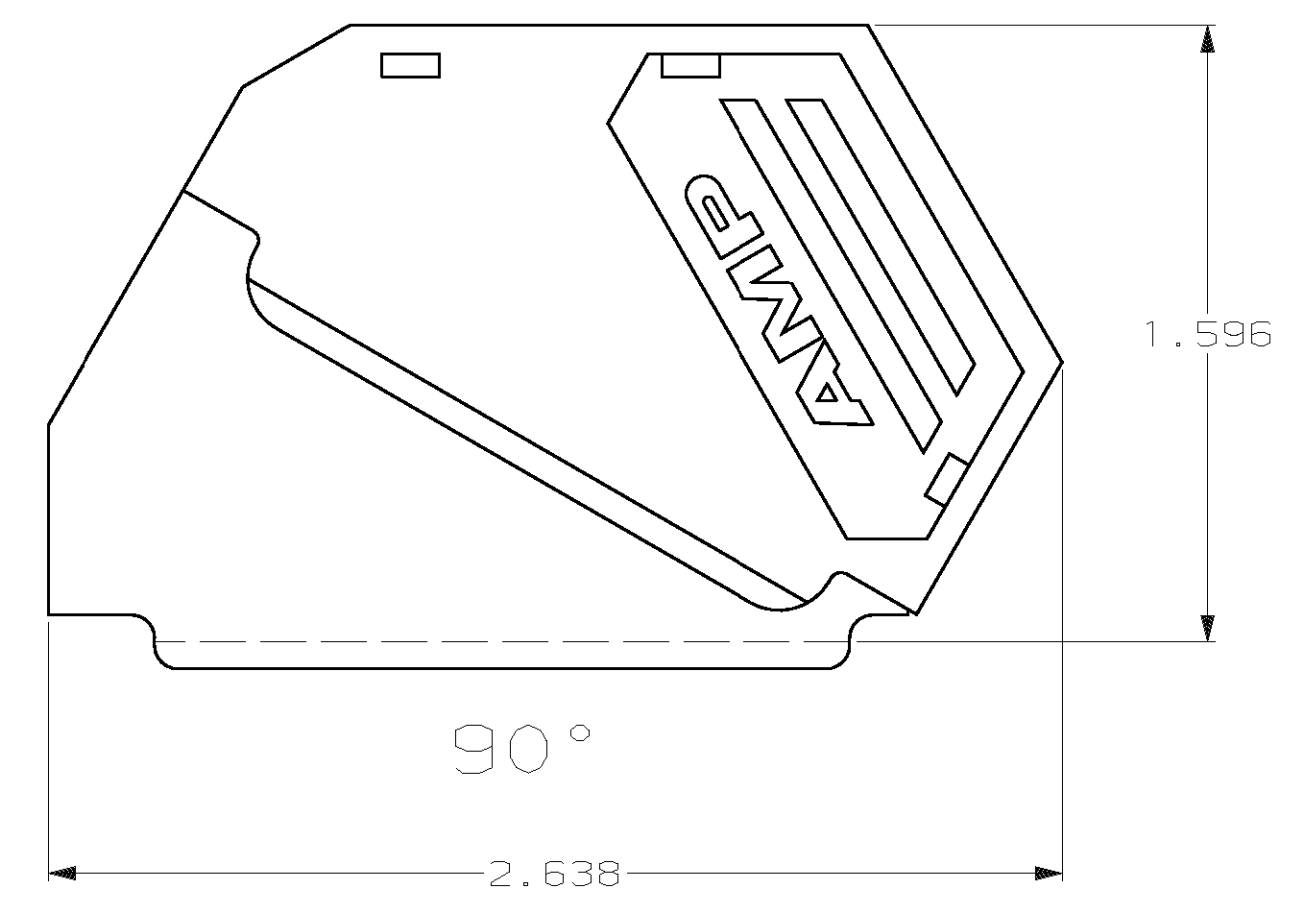


POINTER INDICATES THIS PANEL ONLY FOR SCREW DRIVER, TO DISASSEMBLE.



SLOT FOR FLANGE OF AMPLIMITE TYPE CONNECTORS.

YOKE (ONE REQD PER ASSY)



OBSOLETE	4	745311-2
	1 2 3	745311-1
	PACKAGING	PART NUMBER

- 1 ALL PARTS PACKAGED UNASSEMBLED.
- 2 SAME PARTS CAN BE ASSEMBLED IN EITHER 180° OR 90° CONFIGURATION, AS SHOWN.
- 3 KIT CONSISTING OF FOUR INDIVIDUAL PARTS, AS SHOWN.
- 4 EACH PART IS INDIVIDUALLY BULK PACKED FOR MULTIPLE KIT ORDERS.
- 5. PARTS ASSEMBLE WITHOUT HARDWARE.
- 6 CLAMP ACCOMMODATES DISCRETE WIRES OR JACKETED CABLE UP TO .750 INCH DIAMETER.

DO NOT SCALE PRINT. UNLESS SPECIFIED DIMENSIONS IN INCHES TOLERANCES ON :		DR 5-11-90 J GALLUCCI BG		AMP INCORPORATED Harrisburg, Pa. 17105	
2 PLC DEC ± -		CHK 6-15-90 W.G.LENKER			
3 PLC DEC ± .015		APPD 7-9-90 J.E.WEST		NAME KIT, CABLE CLAMP ASSY, SIZE 4, AMPLIMITE™	
ANGLES ± -		APPD 7-16-90 J.ASSINI			
MATERIAL BLACK THERMOPLASTIC		PRODUCT SPEC -		SIZE C	
FINISH -		APPLICATION SPEC -		FSCM NO 00779	
		WEIGHT -		DRAWING NO 745311	
				SCALE 2:1	
				SHEET 1 OF 1	