



Chipsmall Limited consists of a professional team with an average of over 10 year of expertise in the distribution of electronic components. Based in Hongkong, we have already established firm and mutual-benefit business relationships with customers from,Europe,America and south Asia,supplying obsolete and hard-to-find components to meet their specific needs.

With the principle of “Quality Parts,Customers Priority,Honest Operation,and Considerate Service”,our business mainly focus on the distribution of electronic components. Line cards we deal with include Microchip,ALPS,ROHM,Xilinx,Pulse,ON,Everlight and Freescale. Main products comprise IC,Modules,Potentiometer,IC Socket,Relay,Connector.Our parts cover such applications as commercial,industrial, and automotives areas.

We are looking forward to setting up business relationship with you and hope to provide you with the best service and solution. Let us make a better world for our industry!



Contact us

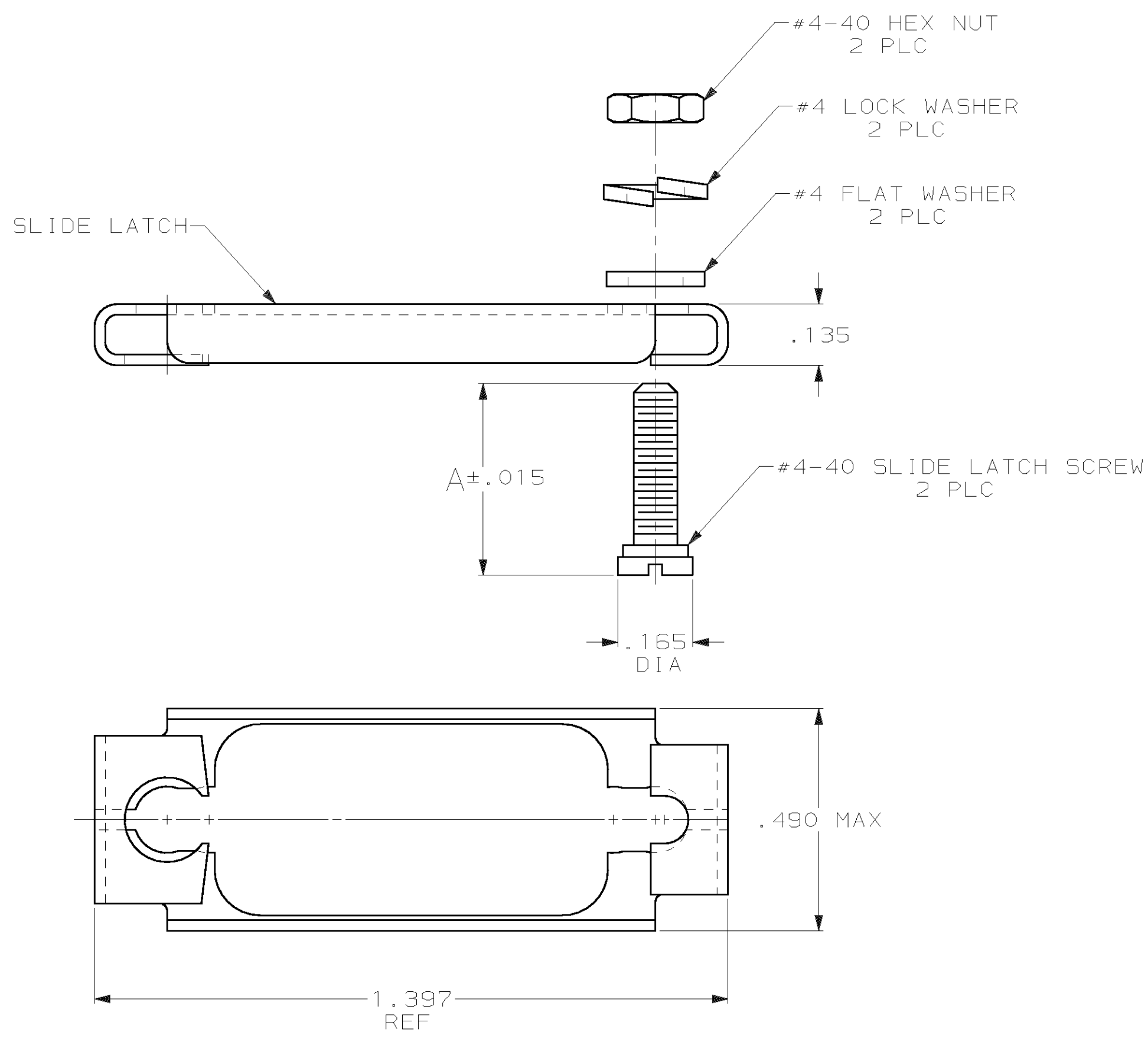
Tel: +86-755-8981 8866 Fax: +86-755-8427 6832

Email & Skype: info@chipsmall.com Web: www.chipsmall.com

Address: A1208, Overseas Decoration Building, #122 Zhenhua RD., Futian, Shenzhen, China



LOC	DIST	REVISIONS			
GP	00	P	F	ZONE	LTR
DESCRIPTION					
B REV PER OUID-0274-00					
DATE					APPD
22 OCT 01					JR



- 1. PARTS PACKAGED UNASSEMBLED.
- 2. PARTS PACKAGED AS A UNIT KIT.
- 3. PARTS INDIVIDUALLY BULK PACKAGED & SHIPPED AS A UNIT PACKAGE.
- 4. THIS KIT CAN BE USED WITH CABLE CLAMP BODIES THAT DO NOT EXTEND BEYOND THE FRONT FLANGE OF THE CONNECTOR OR ON CONNECTORS WITHOUT CABLE CLAMPS.

4	SUPERSEDED BY 745404-1	.415	#4-40	3	745404-2
4		.415	#4-40	2	745404-1
		A	THREAD TYPE	PACKAGING	PART NO

DO NOT SCALE PRINT. UNLESS SPECIFIED DIMENSIONS IN INCHES TOLERANCES ON :	DR -	AMP INCORPORATED Harrisburg, Pa. 17105			
2 PLC DEC ± -	CHK -				
3 PLC DEC ± .005	APPD -	NAME KIT, SLIDE LATCH, SIZE 1, 9 POSITION, AMPLIMITE ®			
ANGLES ± -	APPD -				
MATERIAL	PRODUCT SPEC	SIZE C 00779			
SLIDE LATCH: STAINLESS STEEL					
HARDWARE: STEEL PER ASTM A108	APPLICATION SPEC	DRAWING NO 745404			
FINISH					
HARDWARE: ZINC PLATED PER ASTM B633, TYPE II, CLASS SC1, YELLOW CHROMATE	WEIGHT -	SCALE 4:1			
		SHEET 1 OF 1			