



Chipsmall Limited consists of a professional team with an average of over 10 year of expertise in the distribution of electronic components. Based in Hongkong, we have already established firm and mutual-benefit business relationships with customers from,Europe,America and south Asia,supplying obsolete and hard-to-find components to meet their specific needs.

With the principle of “Quality Parts,Customers Priority,Honest Operation,and Considerate Service”,our business mainly focus on the distribution of electronic components. Line cards we deal with include Microchip,ALPS,ROHM,Xilinx,Pulse,ON,Everlight and Freescale. Main products comprise IC,Modules,Potentiometer,IC Socket,Relay,Connector.Our parts cover such applications as commercial,industrial, and automotives areas.

We are looking forward to setting up business relationship with you and hope to provide you with the best service and solution. Let us make a better world for our industry!



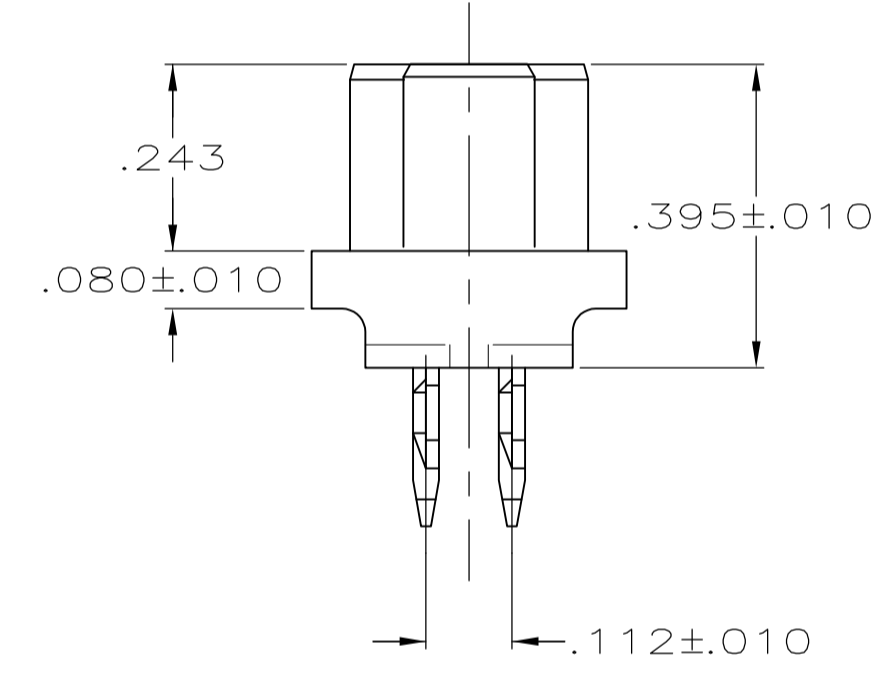
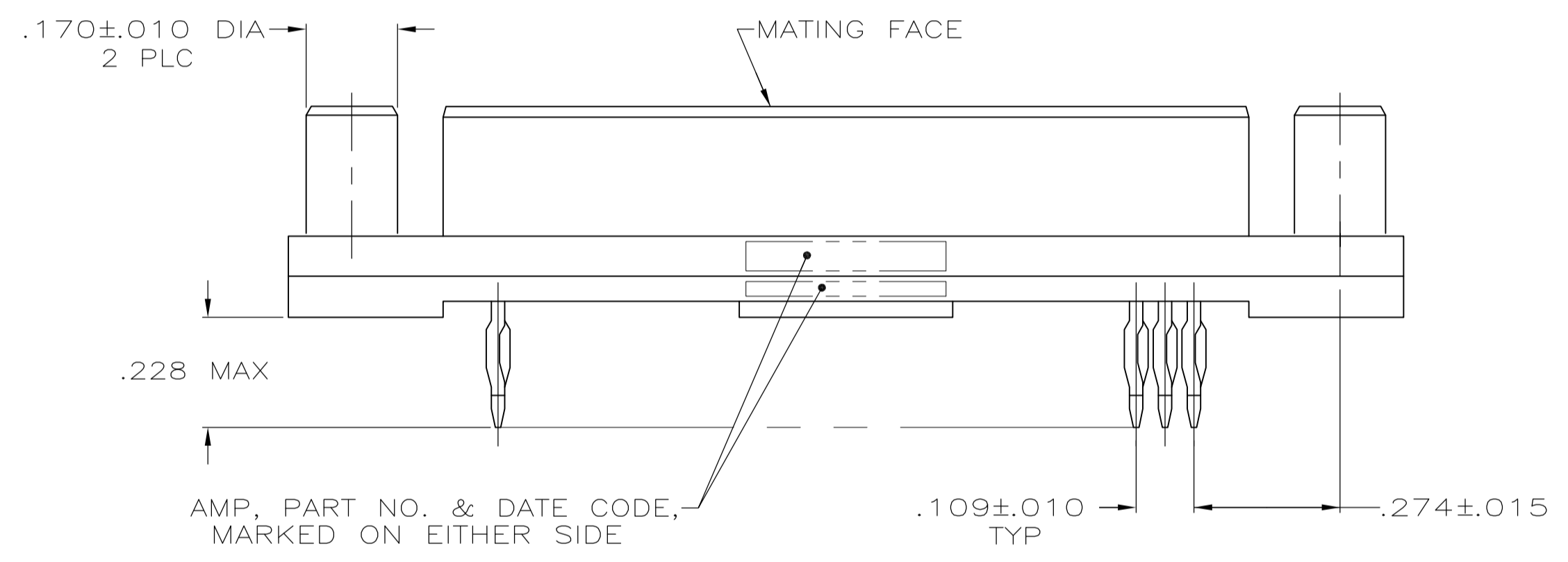
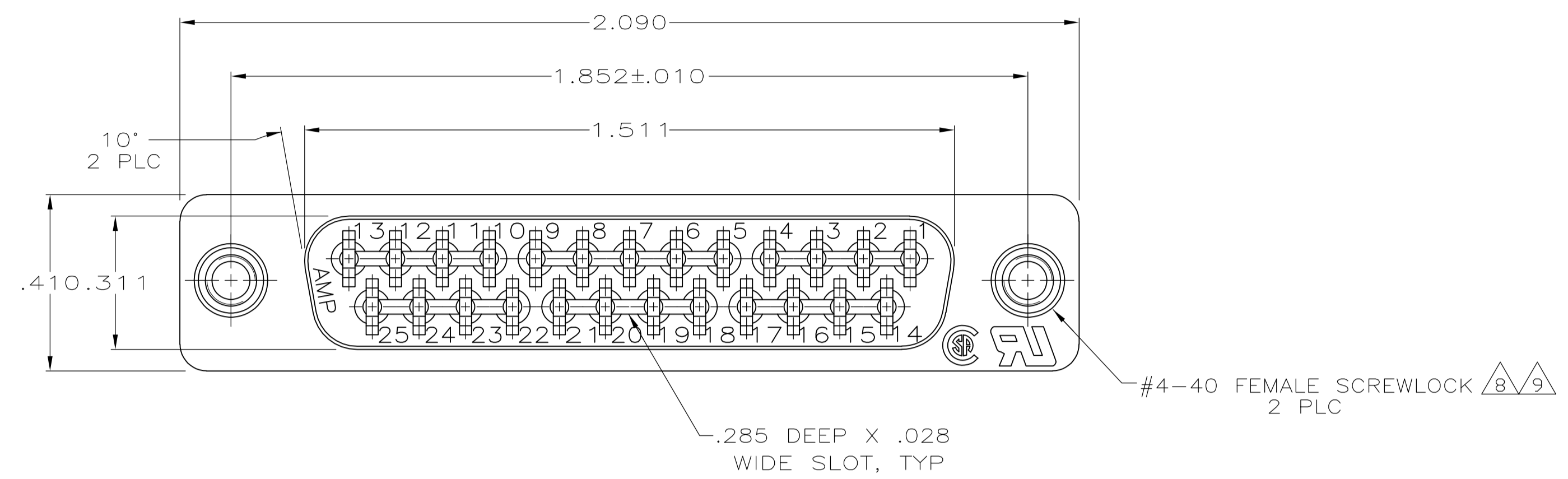
Contact us

Tel: +86-755-8981 8866 Fax: +86-755-8427 6832

Email & Skype: info@chipsmall.com Web: www.chipsmall.com

Address: A1208, Overseas Decoration Building, #122 Zhenhua RD., Futian, Shenzhen, China





- 1 FOR USE WITH .093 MINIMUM THICK PRINTED CIRCUIT BOARD. REFER TO APPLICATION SPECIFICATION FOR PRINTED CIRCUIT BOARD LAYOUT DIMENSIONS AND FINISH RECOMMENDATIONS.
- 2 FLAME RETARDANT, 94V-0 RATED, GLASS FILLED, NYLON OR POLYESTER, COLOR: BLACK.
- 3 COPPER ALLOY
- 4 BRASS
- 5 GOLD FLASH IN MATING AREA. .000100 MINIMUM TIN OR TIN-LEAD ON COMPLIANT PIN. ALL OVER .000050 MINIMUM NICKEL.
- 6 .000030 MINIMUM GOLD IN MATING AREA. .000100 MINIMUM TIN OR TIN-LEAD ON COMPLIANT PIN. ALL OVER .000050 MINIMUM NICKEL. OR GOLD FLASH OVER PALLADIUM NICKEL. .000030 MINIMUM TOTAL IN MATING AREA. .000100 MINIMUM TIN OR TIN-LEAD ON COMPLIANT PIN. ALL OVER .000050 MINIMUM NICKEL.
- 7 SCREWLOCKS: NICKEL PLATED.
- 8 SCREWLOCKS MUST WITHSTAND 4 INCH-LBS TORQUE AND 20 LBS PULL OUT FORCE FROM MATING FACE SIDE.
- 9 SCREWLOCKS MUST BE FLUSH TO .015 BELOW MATING FACE.

OBSOLETE	5	745458-2
	5	745458-1
	CONTACT FINISH	PART NUMBER

THIS DRAWING IS A CONTROLLED DOCUMENT. DIMENSIONING AND TOLERANCING PER ASME Y14.5M-2009		DIN W LENKER 5-31-88	TE Connectivity	
DIMENSIONS: INCHES		CHK S WELDON 6-1-88	NAME	
TOLERANCES UNLESS OTHERWISE SPECIFIED:		APVD	RECEPTACLE ASSEMBLY, SIZE 3, 25 POSITION, WITH ACTION PIN CONTACTS & SCREWLOCKS.	
0 PLC ± -	1 PLC ± -	PRODUCT SPEC	108-40014	
2 PLC ± -	3 PLC ± .005	APPLICATION SPEC	114-40026	
4 PLC ± -	ANGLES ± -	SIZE	CAGE CODE	DRAWING NO
MATERIAL FINISH		WEIGHT	A1 00779	745458
CUSTOMER DRAWING		SCALE	4:1	SHEET 1 OF 1 REV H