



Chipsmall Limited consists of a professional team with an average of over 10 year of expertise in the distribution of electronic components. Based in Hongkong, we have already established firm and mutual-benefit business relationships with customers from,Europe,America and south Asia,supplying obsolete and hard-to-find components to meet their specific needs.

With the principle of “Quality Parts,Customers Priority,Honest Operation,and Considerate Service”,our business mainly focus on the distribution of electronic components. Line cards we deal with include Microchip,ALPS,ROHM,Xilinx,Pulse,ON,Everlight and Freescale. Main products comprise IC,Modules,Potentiometer,IC Socket,Relay,Connector.Our parts cover such applications as commercial,industrial, and automotives areas.

We are looking forward to setting up business relationship with you and hope to provide you with the best service and solution. Let us make a better world for our industry!



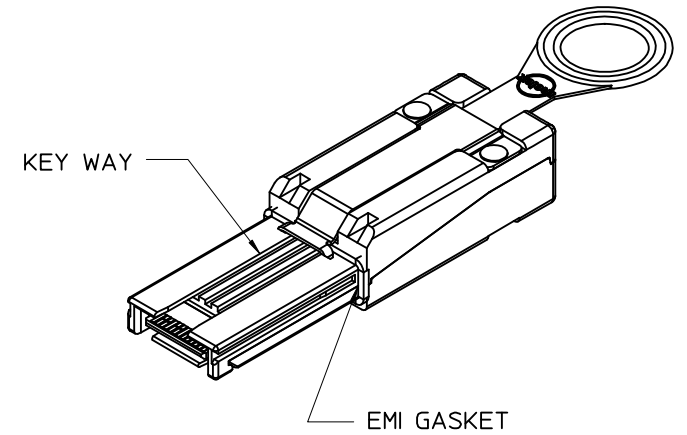
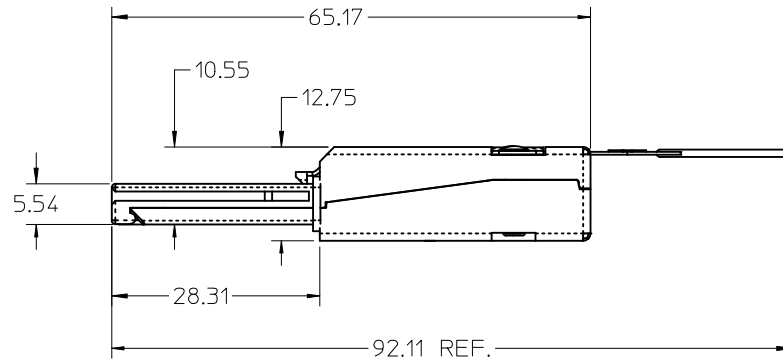
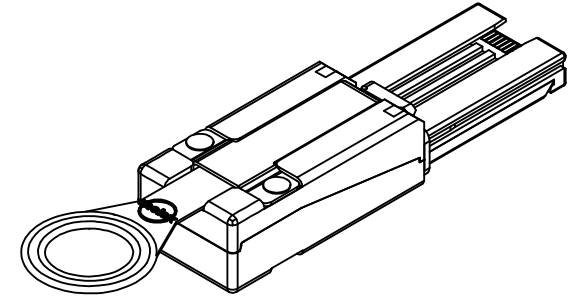
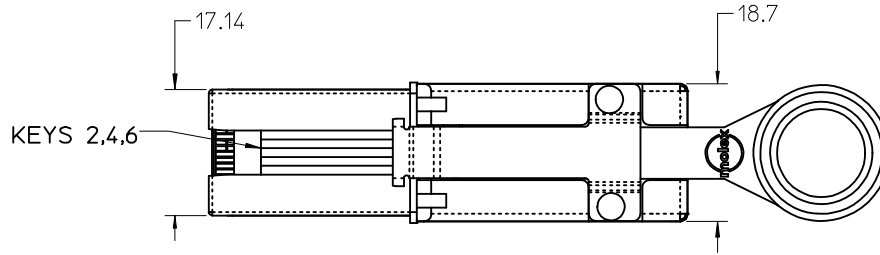
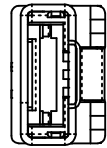
Contact us

Tel: +86-755-8981 8866 Fax: +86-755-8427 6832

Email & Skype: info@chipsmall.com Web: www.chipsmall.com

Address: A1208, Overseas Decoration Building, #122 Zhenhua RD., Futian, Shenzhen, China

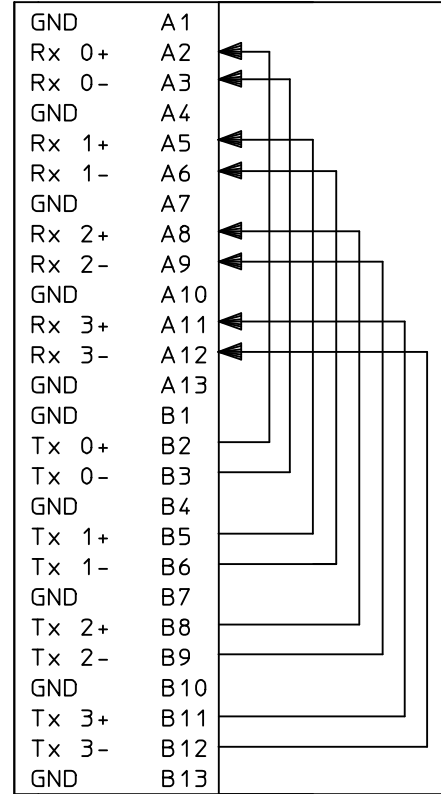
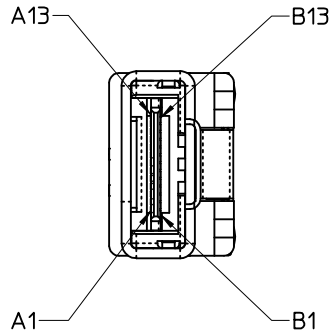




NOTES:

- 1. MATERIAL-
BACKSHELLS - ZINC DIECAST
PULL - MOLDED PLATIC
- 2. PLUG MATES TO RECEPTACLE 75586 SERIES, AND EMI HOUSING ASSY, 74548-0100
- 3. THIS PRODUCT MEETS THE RESTRICTION OF HAZARDOUS SUBSTANCES IN ELECTRICAL AND ELECTRONIC EQUIPMENT (RoHS) DIRECTIVE (2002/95/EC)

ENTER DESCRIPTION EC NO: USY2009-0104 DRWN: JERWIN CHKD: BSCHOESTER APPR: DDOYE	DESCRIPTION REV	QUALITY SYMBOLS	GENERAL TOLERANCES (UNLESS SPECIFIED)	DIMENSION STYLE	SCALE	DESIGN UNITS	THIRD ANGLE PROJECTION	
		▼=0 ∇=0	mm INCH 4 PLACES ± --- ± --- 3 PLACES ± --- ± --- 2 PLACES ± 0.13 ± --- 1 PLACE ± 0.25 ± --- ANGULAR ± 1/2°	MM/IN	1:1	INCH	DRAWN BY: JERWIN DATE: 2008/01/15 CHECKED BY: BSCHOESTER DATE: 2008/01/15 APPROVED BY: DDOYE DATE: 2008/01/15	TITLE
		DRAFT WHERE APPLICABLE MUST REMAIN WITHIN DIMENSIONS	MATERIAL NO.	DOCUMENT NO.	SHEET NO.	LOOPBACK ASSY KEY 2,4,6 MOLEX INCORPORATED		
			745470399	SD-74547-0399	1 OF 2			
				THIS DRAWING CONTAINS INFORMATION THAT IS PROPRIETARY TO MOLEX INCORPORATED AND SHOULD NOT BE USED WITHOUT WRITTEN PERMISSION				



ENTER DESCRIPTION EC NO: USY2009-0104 DRWN: JERWIN 2008/09/17 CHKD: BSCHOESTER 2008/09/29 APPR: DDOYE 2008/09/30	QUALITY SYMBOLS ▽=0 ▽=0	GENERAL TOLERANCES (UNLESS SPECIFIED)		DIMENSION STYLE MM/IN	SCALE 1:1	DESIGN UNITS INCH	THIRD ANGLE PROJECTION	
		4 PLACES ± --- ± ---	DRAWN BY DATE JERWIN 2008/01/15	TITLE LOOPBACK ASSY KEY 2,4,6				
		3 PLACES ± --- ± ---	CHECKED BY DATE BSCHOESTER 2008/01/15					
		2 PLACES ± 0.13 ± ---	APPROVED BY DATE DDOYE 2008/01/15	MATERIAL NO. 745470399		DOCUMENT NO. SD-74547-0399		SHEET NO. 2 OF 2
1 PLACE ± 0.25 ± ---	ANGULAR ± 1/2°	DRAFT WHERE APPLICABLE MUST REMAIN WITHIN DIMENSIONS						