

Chipsmall Limited consists of a professional team with an average of over 10 year of expertise in the distribution of electronic components. Based in Hongkong, we have already established firm and mutual-benefit business relationships with customers from,Europe,America and south Asia,supplying obsolete and hard-to-find components to meet their specific needs.

With the principle of “Quality Parts,Customers Priority,Honest Operation,and Considerate Service”,our business mainly focus on the distribution of electronic components. Line cards we deal with include Microchip,ALPS,ROHM,Xilinx,Pulse,ON,Everlight and Freescale. Main products comprise IC,Modules,Potentiometer,IC Socket,Relay,Connector.Our parts cover such applications as commercial,industrial, and automotives areas.

We are looking forward to setting up business relationship with you and hope to provide you with the best service and solution. Let us make a better world for our industry!

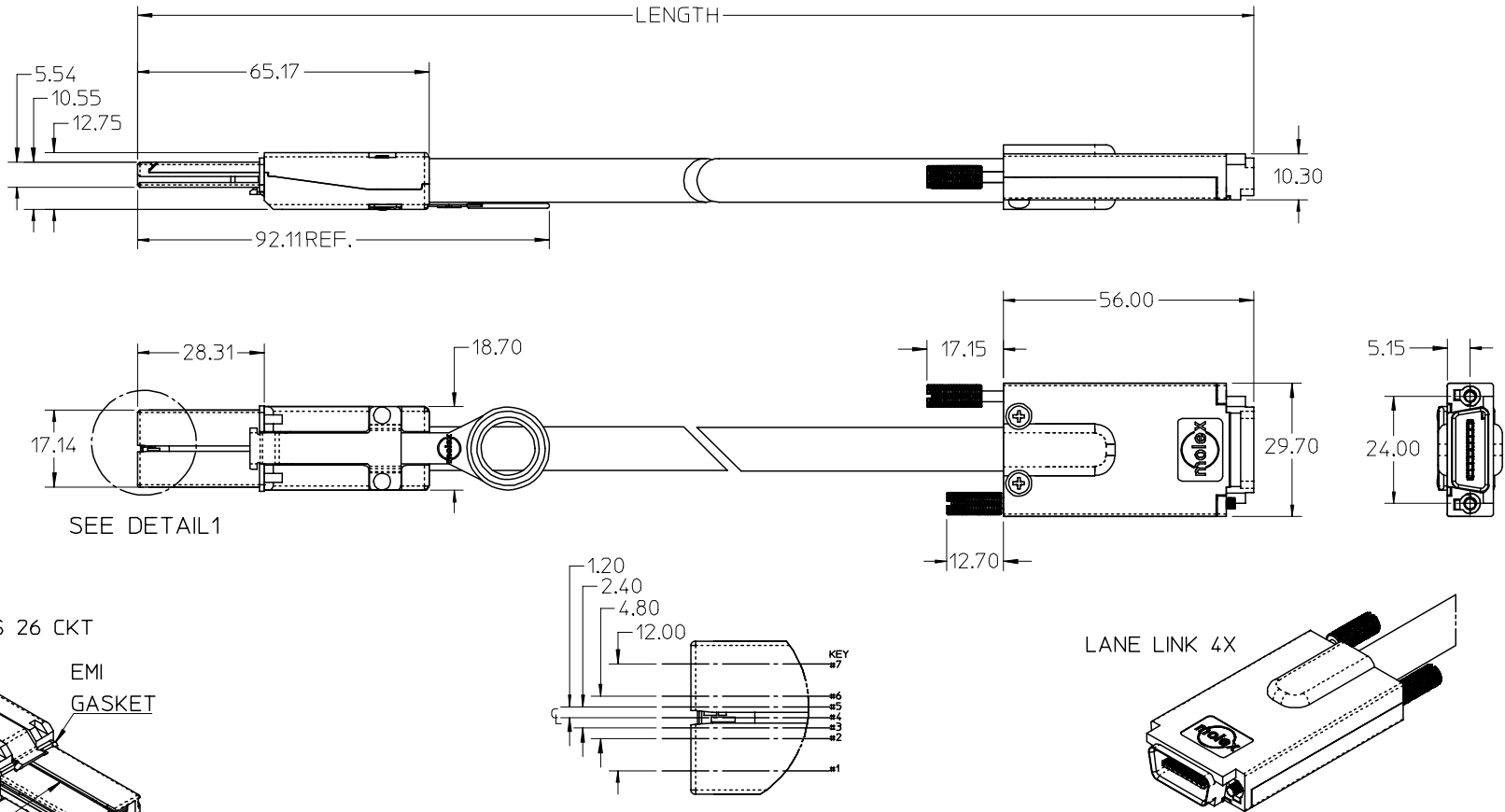


Contact us

Tel: +86-755-8981 8866 Fax: +86-755-8427 6832

Email & Skype: info@chipsmall.com Web: www.chipsmall.com

Address: A1208, Overseas Decoration Building, #122 Zhenhua RD., Futian, Shenzhen, China



SEE DETAIL1

DETAIL1
SCALE 2:1

LANE LINK 4X

IPASS™ IS A TRADEMARK OF MOLEX

NOTES:

1. MATERIAL
BACKSHELLS - ZINC DIECAST
PULL- MOLDED PLASTIC
2. LENGTH= SEE TABLE
3. ELECTRICAL PERFORMANCE AS PER SERIAL ATTACH SCSI 1.1
4. SAS PLUG MATES TO RECEPTACLE 75586 SERIES,
AND EMI HOUSING ASSY, 74548-100
5. 4X LANE LINK COMPLIES WITH SFF-8470
6. THIS PRODUCT MEETS THE RESTRICTION OF HAZARDOUS SUBSTANCES
IN ELECTRICAL AND ELECTRONIC EQUIPMENT (RoHS) DIRECTIVE
(2002/95/EC)

| | | | | | | | | | | | |
|------------------------------------------------------------------------------------------|----------------------------------------|-------------------------------|---------------------------------------|-------|----------------------------------------------------------------------------------------------------------------------------------|------------------------------|--------------------|-----------------------------------------------------------------------|------------------------|--|--|
| ENTER DESCRIPTION EC NO: USY2007-0468 DRWN: SNAVARRO CHKD: DDOYE APPR: DDOYE | 2007/06/22 2007/06/22 2007/06/25 | QUALITY SYMBOLS ▽=0 ▽=0 | GENERAL TOLERANCES (UNLESS SPECIFIED) | | DIMENSION STYLE MM ONLY | | SCALE 1:1 | DESIGN UNITS METRIC | THIRD ANGLE PROJECTION | | |
| | | | | | | | | | | | |
| | | | 4 PLACES | ± --- | ± --- | DRAWN BY KPHILL IPS | DATE 2005/09/06 | TITLE I-PASS X4 26 CKT TO LANE LINK 4X CBL ASSY PLUG TO PLUG | | | |
| | | | 3 PLACES | ± --- | ± --- | CHECKED BY T. HALL | DATE 2005/09/06 | MOLEX INCORPORATED | | | |
| 2 PLACES | ± 0.13 | ± --- | APPROVED BY DDOYE | | DATE 2005/09/06 | DOCUMENT NO. SD-74547-200 | | SHEET NO. 1 OF 4 | | | |
| 1 PLACE | ± 0.25 | ± --- | MATERIAL NO. SEE TABLE | | THIS DRAWING CONTAINS INFORMATION THAT IS PROPRIETARY TO MOLEX INCORPORATED AND SHOULD NOT BE USED WITHOUT WRITTEN PERMISSION | | | | | | |
| DRAFT WHERE APPLICABLE MUST REMAIN WITHIN DIMENSIONS | | | ANGULAR ±1/2° | | | | | | | | |

KEYING IDENTIFIER
SAS

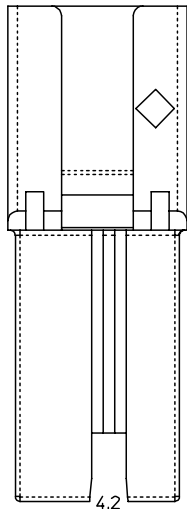
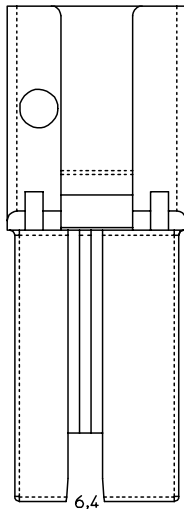
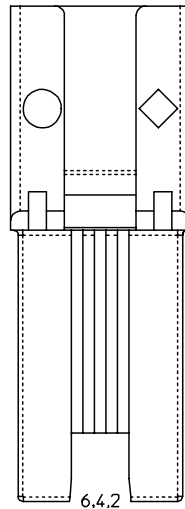


TABLE
ROUTING



SUBSTRUCTIVE
ROUTING



UNIVERSAL
KEY

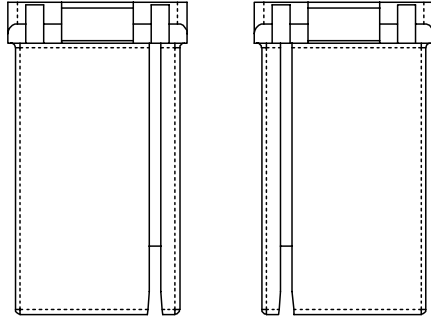
| Material Number | Description | GAUGE | LENGTH | KEY | IDENTIFIER |
|-----------------|--------------------------------------------------|-------|-------------|----------|-------------------------------------|
| 74547-2021 | x4 SAS TO 4X LANE LINK JACK SCREW CABLE ASSEMBLY | 28 | 1M | 2.4 | TABLE ROUTING (OUT PORT), SAS |
| 74547-2022 | x4 SAS TO 4X LANE LINK JACK SCREW CABLE ASSEMBLY | 28 | 2M | 2.4 | TABLE ROUTING (OUT PORT), SAS |
| 74547-2023 | x4 SAS TO 4X LANE LINK JACK SCREW CABLE ASSEMBLY | 28 | 3M | 2.4 | TABLE ROUTING (OUT PORT), SAS |
| 74547-2024 | x4 SAS TO 4X LANE LINK JACK SCREW CABLE ASSEMBLY | 28 | 4M | 2.4 | TABLE ROUTING (OUT PORT), SAS |
| 74547-2025 | x4 SAS TO 4X LANE LINK JACK SCREW CABLE ASSEMBLY | 26 | 5M | 2.4 | TABLE ROUTING (OUT PORT), SAS |
| 74547-2026 | x4 SAS TO 4X LANE LINK JACK SCREW CABLE ASSEMBLY | 24 | 6M | 2.4 | TABLE ROUTING (OUT PORT), SAS |
| 74547-2027 | x4 SAS TO 4X LANE LINK JACK SCREW CABLE ASSEMBLY | 24 | 7M Δ | 2.4 | TABLE ROUTING (OUT PORT), SAS |
| 74547-2028 | x4 SAS TO 4X LANE LINK JACK SCREW CABLE ASSEMBLY | 24 | 8M Δ | 2.4 | TABLE ROUTING (OUT PORT), SAS |
| 74547-2029 | x4 SAS TO 4X LANE LINK JACK SCREW CABLE ASSEMBLY | 28 | 0.25M | 2.4 | TABLE ROUTING (OUT PORT), SAS |
| 74547-2030 | x4 SAS TO 4X LANE LINK JACK SCREW CABLE ASSEMBLY | 28 | 0.5M | 2.4 | TABLE ROUTING (OUT PORT), SAS |
| 74547-2041 | x4 SAS TO 4X LANE LINK JACK SCREW CABLE ASSEMBLY | 28 | 1M | 4.6 | SUBSTRUCTIVE ROUTING (IN PORT), SAS |
| 74547-2042 | x4 SAS TO 4X LANE LINK JACK SCREW CABLE ASSEMBLY | 28 | 2M | 4.6 | SUBSTRUCTIVE ROUTING (IN PORT), SAS |
| 74547-2043 | x4 SAS TO 4X LANE LINK JACK SCREW CABLE ASSEMBLY | 28 | 3M | 4.6 | SUBSTRUCTIVE ROUTING (IN PORT), SAS |
| 74547-2044 | x4 SAS TO 4X LANE LINK JACK SCREW CABLE ASSEMBLY | 28 | 4M | 4.6 | SUBSTRUCTIVE ROUTING (IN PORT), SAS |
| 74547-2045 | x4 SAS TO 4X LANE LINK JACK SCREW CABLE ASSEMBLY | 26 | 5M | 4.6 | SUBSTRUCTIVE ROUTING (IN PORT), SAS |
| 74547-2046 | x4 SAS TO 4X LANE LINK JACK SCREW CABLE ASSEMBLY | 24 | 6M | 4.6 | SUBSTRUCTIVE ROUTING (IN PORT), SAS |
| 74547-2047 | x4 SAS TO 4X LANE LINK JACK SCREW CABLE ASSEMBLY | 24 | 7M Δ | 4.6 | SUBSTRUCTIVE ROUTING (IN PORT), SAS |
| 74547-2048 | x4 SAS TO 4X LANE LINK JACK SCREW CABLE ASSEMBLY | 24 | 8M Δ | 4.6 | SUBSTRUCTIVE ROUTING (IN PORT), SAS |
| 74547-2049 | x4 SAS TO 4X LANE LINK JACK SCREW CABLE ASSEMBLY | 28 | 0.25M | 4.6 | SUBSTRUCTIVE ROUTING (IN PORT), SAS |
| 74547-2050 | x4 SAS TO 4X LANE LINK JACK SCREW CABLE ASSEMBLY | 28 | 0.5M | 4.6 | SUBSTRUCTIVE ROUTING (IN PORT), SAS |
| 74547-2051 | x4 SAS TO 4X LANE LINK JACK SCREW CABLE ASSEMBLY | 28 | 1M | 2.4, 4.6 | UNIVERSAL KEY, SAS |
| 74547-2052 | x4 SAS TO 4X LANE LINK JACK SCREW CABLE ASSEMBLY | 28 | 2M | 2.4, 4.6 | UNIVERSAL KEY, SAS |
| 74547-2053 | x4 SAS TO 4X LANE LINK JACK SCREW CABLE ASSEMBLY | 28 | 3M | 2.4, 4.6 | UNIVERSAL KEY, SAS |
| 74547-2054 | x4 SAS TO 4X LANE LINK JACK SCREW CABLE ASSEMBLY | 28 | 4M | 2.4, 4.6 | UNIVERSAL KEY, SAS |
| 74547-2055 | x4 SAS TO 4X LANE LINK JACK SCREW CABLE ASSEMBLY | 26 | 5M | 2.4, 4.6 | UNIVERSAL KEY, SAS |
| 74547-2056 | x4 SAS TO 4X LANE LINK JACK SCREW CABLE ASSEMBLY | 24 | 6M | 2.4, 4.6 | UNIVERSAL KEY, SAS |
| 74547-2057 | x4 SAS TO 4X LANE LINK JACK SCREW CABLE ASSEMBLY | 24 | 7M Δ | 2.4, 4.6 | UNIVERSAL KEY, SAS |
| 74547-2058 | x4 SAS TO 4X LANE LINK JACK SCREW CABLE ASSEMBLY | 24 | 8M Δ | 2.4, 4.6 | UNIVERSAL KEY, SAS |
| 74547-2059 | x4 SAS TO 4X LANE LINK JACK SCREW CABLE ASSEMBLY | 28 | 0.25M | 2.4, 4.6 | UNIVERSAL KEY, SAS |
| 74547-2060 | x4 SAS TO 4X LANE LINK JACK SCREW CABLE ASSEMBLY | 28 | 0.5M | 2.4, 4.6 | UNIVERSAL KEY, SAS |

Δ - NOT COMPLIANT WITH INSERTION
LOSS SPEC PER SAS 1.1.

IPASS™ IS A TRADEMARK OF MOLEX

| | | | | | | | | | | |
|------------------------------------------------------------------------------------------|-------------------------------------------------------|---------------------------------------------|------------------------------------------------------------|-----------|----------------------------------------------------------------------------------------------------------------------------------|--------------------|-----------------------------------------------------------------------|------------------------|------------------------|--|
| ENTER DESCRIPTION EC NO: USY2007-0468 DRWN: SNAVARRO CHKD: DDOYE APPR: DDOYE | DESCRIPTION 2007/06/22 2007/06/22 2007/06/25 | QUALITY SYMBOLS $\nabla=0$ $\nabla=0$ | GENERAL TOLERANCES (UNLESS SPECIFIED) | | DIMENSION STYLE MM ONLY | | SCALE 1:1 | DESIGN UNITS METRIC | THIRD ANGLE PROJECTION | |
| | | | mm | INCH | DRAWN BY KPHILL IPS | DATE 2005/09/06 | TITLE I-PASS X4 26 CKT TO LANE LINK 4X CBL ASSY PLUG TO PLUG | | | |
| | | | 4 PLACES \pm --- | \pm --- | CHECKED BY T. HALL | DATE 2005/09/06 | MOLEX INCORPORATED | | | |
| | | | 3 PLACES \pm --- | \pm --- | APPROVED BY DDOYE | DATE 2005/09/06 | MATERIAL NO. SEE TABLE | | | |
| 2 PLACES \pm 0.13 | | \pm --- | ANGULAR \pm 1/2° | | DOCUMENT NO. SD-74547-200 | | SHEET NO. 2 OF 4 | | | |
| 1 PLACE \pm 0.25 | | \pm --- | DRAFT WHERE APPLICABLE MUST REMAIN WITHIN DIMENSIONS | | THIS DRAWING CONTAINS INFORMATION THAT IS PROPRIETARY TO MOLEX INCORPORATED AND SHOULD NOT BE USED WITHOUT WRITTEN PERMISSION | | | | | |

10 9 8 7 6 5 4 3 2 1

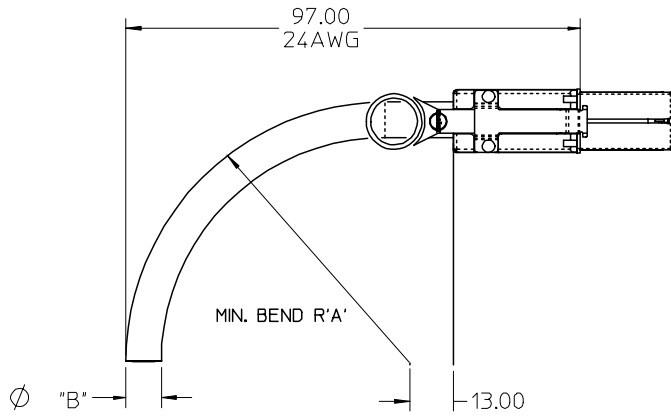


"X" CABLE

"M" CABLE

| Material Number | Description | GAUGE | LENGTH | KEY | IDENTIFIER |
|-----------------|---------------------------------------------------|-------|-------------|-----|---------------|
| 74547-2001 | x4 SATA TO 4X LANE LINK JACK SCREW CABLE ASSEMBLY | 28 | 1M | 1.4 | X CABLE, SATA |
| 74547-2002 | x4 SATA TO 4X LANE LINK JACK SCREW CABLE ASSEMBLY | 28 | 2M | 1.4 | X CABLE, SATA |
| 74547-2003 | x4 SATA TO 4X LANE LINK JACK SCREW CABLE ASSEMBLY | 28 | 3M | 1.4 | X CABLE, SATA |
| 74547-2004 | x4 SATA TO 4X LANE LINK JACK SCREW CABLE ASSEMBLY | 28 | 4M | 1.4 | X CABLE, SATA |
| 74547-2005 | x4 SATA TO 4X LANE LINK JACK SCREW CABLE ASSEMBLY | 26 | 5M | 1.4 | X CABLE, SATA |
| 74547-2006 | x4 SATA TO 4X LANE LINK JACK SCREW CABLE ASSEMBLY | 24 | 6M | 1.4 | X CABLE, SATA |
| 74547-2007 | x4 SATA TO 4X LANE LINK JACK SCREW CABLE ASSEMBLY | 24 | 7M Δ | 1.4 | X CABLE, SATA |
| 74547-2008 | x4 SATA TO 4X LANE LINK JACK SCREW CABLE ASSEMBLY | 24 | 8M Δ | 1.4 | X CABLE, SATA |
| 74547-2009 | x4 SATA TO 4X LANE LINK JACK SCREW CABLE ASSEMBLY | 28 | 0.25M | 1.4 | X CABLE, SATA |
| 74547-2010 | x4 SATA TO 4X LANE LINK JACK SCREW CABLE ASSEMBLY | 28 | 0.5M | 1.4 | X CABLE, SATA |
| 74547-2061 | x4 SATA TO 4X LANE LINK JACK SCREW CABLE ASSEMBLY | 28 | 1M | 7 | M CABLE, SATA |
| 74547-2062 | x4 SATA TO 4X LANE LINK JACK SCREW CABLE ASSEMBLY | 28 | 2M | 7 | M CABLE, SATA |
| 74547-2063 | x4 SATA TO 4X LANE LINK JACK SCREW CABLE ASSEMBLY | 28 | 3M | 7 | M CABLE, SATA |
| 74547-2064 | x4 SATA TO 4X LANE LINK JACK SCREW CABLE ASSEMBLY | 28 | 4M | 7 | M CABLE, SATA |
| 74547-2065 | x4 SATA TO 4X LANE LINK JACK SCREW CABLE ASSEMBLY | 26 | 5M | 7 | M CABLE, SATA |
| 74547-2066 | x4 SATA TO 4X LANE LINK JACK SCREW CABLE ASSEMBLY | 24 | 6M | 7 | M CABLE, SATA |
| 74547-2067 | x4 SATA TO 4X LANE LINK JACK SCREW CABLE ASSEMBLY | 24 | 7M | 7 | M CABLE, SATA |
| 74547-2068 | x4 SATA TO 4X LANE LINK JACK SCREW CABLE ASSEMBLY | 24 | 8M | 7 | M CABLE, SATA |
| 74547-2069 | x4 SATA TO 4X LANE LINK JACK SCREW CABLE ASSEMBLY | 28 | 0.25M | 7 | M CABLE, SATA |
| 74547-2070 | x4 SATA TO 4X LANE LINK JACK SCREW CABLE ASSEMBLY | 28 | 0.5M | 7 | M CABLE, SATA |

Δ - NOT COMPLIANT WITH INSERTION LOSS SPEC PER SAS 1.1.



| CABLE | A | B |
|-------|------|-------|
| 24AWG | 46.9 | 10.40 |
| 26AWG | 41.7 | 9.30 |
| 28AWG | 37.7 | 8.40 |

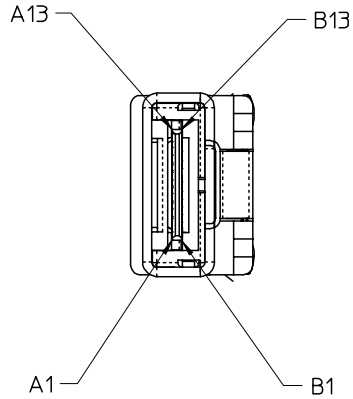
IPASS™ IS A TRADEMARK OF MOLEX

| ENTER DESCRIPTION EC NO: USY2007-0468 DRWN: SNAVARRO 2007/06/22 CHKD: DDOYE 2007/06/22 APPR: DDOYE 2007/06/25 | QUALITY SYMBOLS $\nabla=0$ $\nabla=0$ | GENERAL TOLERANCES (UNLESS SPECIFIED) | | DIMENSION STYLE MM ONLY | | SCALE 1:1 | DESIGN UNITS METRIC | THIRD ANGLE PROJECTION | | | | | | | | | | | | | | | | | |
|---------------------------------------------------------------------------------------------------------------------------|---------------------------------------------|-----------------------------------------------------------------------------------------------------------------------------------------------------------------------------------------------------------------------------------------------------------------------------------------------------------------------------------------------------------|-------|-------------------------------------------------------------------------------------------------------------------------------|----|------------------------------|------------------------|------------------------|-------|----------|-------|-------|----------|--------|-------|---------|--------|-------|------------------------|--|--------------------|-----------------------------------------------------------------|--|--|--|
| | | <table border="1"> <thead> <tr> <th></th> <th>mm</th> <th>INCH</th> </tr> </thead> <tbody> <tr> <td>4 PLACES</td> <td>± ---</td> <td>± ---</td> </tr> <tr> <td>3 PLACES</td> <td>± ---</td> <td>± ---</td> </tr> <tr> <td>2 PLACES</td> <td>± 0.13</td> <td>± ---</td> </tr> <tr> <td>1 PLACE</td> <td>± 0.25</td> <td>± ---</td> </tr> </tbody> </table> | | | mm | INCH | 4 PLACES | ± --- | ± --- | 3 PLACES | ± --- | ± --- | 2 PLACES | ± 0.13 | ± --- | 1 PLACE | ± 0.25 | ± --- | DRAWN BY KPHILL IPS | | DATE 2005/09/06 | TITLE I-PASS X4 26 CKT TO LANE LINK 4X CBL ASSY PLUG TO PLUG | | | |
| | | | mm | INCH | | | | | | | | | | | | | | | | | | | | | |
| | | 4 PLACES | ± --- | ± --- | | | | | | | | | | | | | | | | | | | | | |
| 3 PLACES | ± --- | ± --- | | | | | | | | | | | | | | | | | | | | | | | |
| 2 PLACES | ± 0.13 | ± --- | | | | | | | | | | | | | | | | | | | | | | | |
| 1 PLACE | ± 0.25 | ± --- | | | | | | | | | | | | | | | | | | | | | | | |
| CHECKED BY T. HALL | | DATE 2005/09/06 | | | | | | | | | | | | | | | | | | | | | | | |
| APPROVED BY DDOYE | | DATE 2005/09/06 | | MATERIAL NO. SEE TABLE | | DOCUMENT NO. SD-74547-200 | | SHEET NO. 3 OF 4 | | | | | | | | | | | | | | | | | |
| DRAFT WHERE APPLICABLE MUST REMAIN WITHIN DIMENSIONS | | SIZE B | | THIS DRAWING CONTAINS INFORMATION THAT IS PROPRIETARY TO MOLEX INCORPORATED AND SHOULD NOT BE USED WITHOUT WRITTEN PERMISSION | | | | | | | | | | | | | | | | | | | | | |

9 8 7 6 5 4 3 2 1

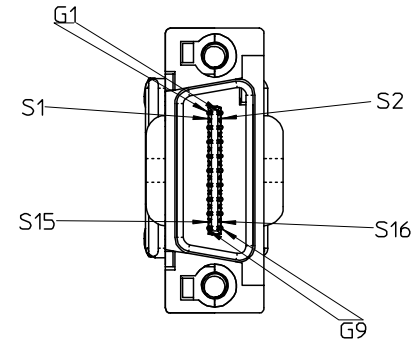
10 9 8 7 6 5 4 3 2 1

SAS 26 CKT



| | | | | | | |
|---|------|-----|---|-----|------|---|
| | Rx0+ | A2 | → | S16 | Tx0+ | |
| | Rx0- | A3 | ← | S15 | Tx0- | |
| | GND | A4 | ← | G8 | GND | |
| | Rx1+ | A5 | → | S14 | Tx1+ | |
| | Rx1- | A6 | ← | S13 | Tx1- | |
| | GND | A7 | ← | G7 | GND | |
| | Rx2+ | A8 | → | S12 | Tx2+ | L |
| | Rx2- | A9 | ← | S11 | Tx2- | A |
| S | GND | A10 | ← | G6 | GND | N |
| A | Rx3+ | A11 | → | S10 | Tx3+ | E |
| S | Rx3- | A12 | ← | S9 | Tx3- | L |
| | GND | A13 | ← | G5 | GND | I |
| 2 | GND | B13 | → | G4 | GND | N |
| 6 | Tx3- | B12 | → | S8 | Rx3- | K |
| C | Tx3+ | B11 | → | S7 | Rx3+ | 4 |
| K | GND | B10 | → | G3 | GND | X |
| T | Tx2- | B9 | → | S6 | Rx2- | |
| | Tx2+ | B8 | → | S5 | Rx2+ | |
| | GND | B7 | → | G2 | GND | |
| | Tx1- | B6 | → | S4 | Rx1- | |
| | Tx1+ | B5 | → | S3 | Rx1+ | |
| | GND | B4 | → | G1 | GND | |
| | Tx0- | B3 | → | S2 | Rx0- | |
| | Tx0+ | B2 | → | S1 | Rx0+ | |

LANE LINK 4X



NOTE: GROUNDS ARE BUSSED IN PCB

I-PASS™ IS A TRADEMARK OF MOLEX

| | | | | | | | | | | |
|-------------------------------------------------------------------------------------------------------------------------------|----------------------------------------|-------------------------------|------------------------------------------------------|------------|-----------------|------------|--------------|------------------------------|--------------------------------------------------------|--|
| ENTER DESCRIPTION EC NO: USY2007-0468 DRWN: SNAVARRO CHKD: DDOYE APPR: DDOYE | 2007/06/22 2007/06/22 2007/06/25 | QUALITY SYMBOLS ▽=0 ▽=0 | GENERAL TOLERANCES (UNLESS SPECIFIED) | | DIMENSION STYLE | SCALE | DESIGN UNITS | THIRD ANGLE PROJECTION | | |
| | | | | | MM ONLY | 1:1 | METRIC | | | |
| | | | 4 PLACES | ± --- | ± --- | DRAWN BY | DATE | | TITLE | |
| | | | 3 PLACES | ± --- | ± --- | KPHILL IPS | 2005/09/06 | | I-PASS X4 26 CKT TO LANE LINK 4X CBL ASSY PLUG TO PLUG | |
| 2 PLACES | ± 0.13 | ± --- | 2 PLACES | ± 0.13 | ± --- | CHECKED BY | DATE | MOLEX INCORPORATED | | |
| 1 PLACE | ± 0.25 | ± --- | T. HALL | 2005/09/06 | APPROVED BY | | DATE | | | |
| ANGULAR ±1/2° | | | DRAFT WHERE APPLICABLE MUST REMAIN WITHIN DIMENSIONS | | SEE TABLE | DDOYE | 2005/09/06 | MATERIAL NO. SD-74547-200 | SHEET NO. 4 OF 4 | |
| THIS DRAWING CONTAINS INFORMATION THAT IS PROPRIETARY TO MOLEX INCORPORATED AND SHOULD NOT BE USED WITHOUT WRITTEN PERMISSION | | | | | | | | | | |

9 8 7 6 5 4 3 2 1