



Chipsmall Limited consists of a professional team with an average of over 10 year of expertise in the distribution of electronic components. Based in Hongkong, we have already established firm and mutual-benefit business relationships with customers from,Europe,America and south Asia,supplying obsolete and hard-to-find components to meet their specific needs.

With the principle of “Quality Parts,Customers Priority,Honest Operation,and Considerate Service”,our business mainly focus on the distribution of electronic components. Line cards we deal with include Microchip,ALPS,ROHM,Xilinx,Pulse,ON,Everlight and Freescale. Main products comprise IC,Modules,Potentiometer,IC Socket,Relay,Connector.Our parts cover such applications as commercial,industrial, and automotives areas.

We are looking forward to setting up business relationship with you and hope to provide you with the best service and solution. Let us make a better world for our industry!



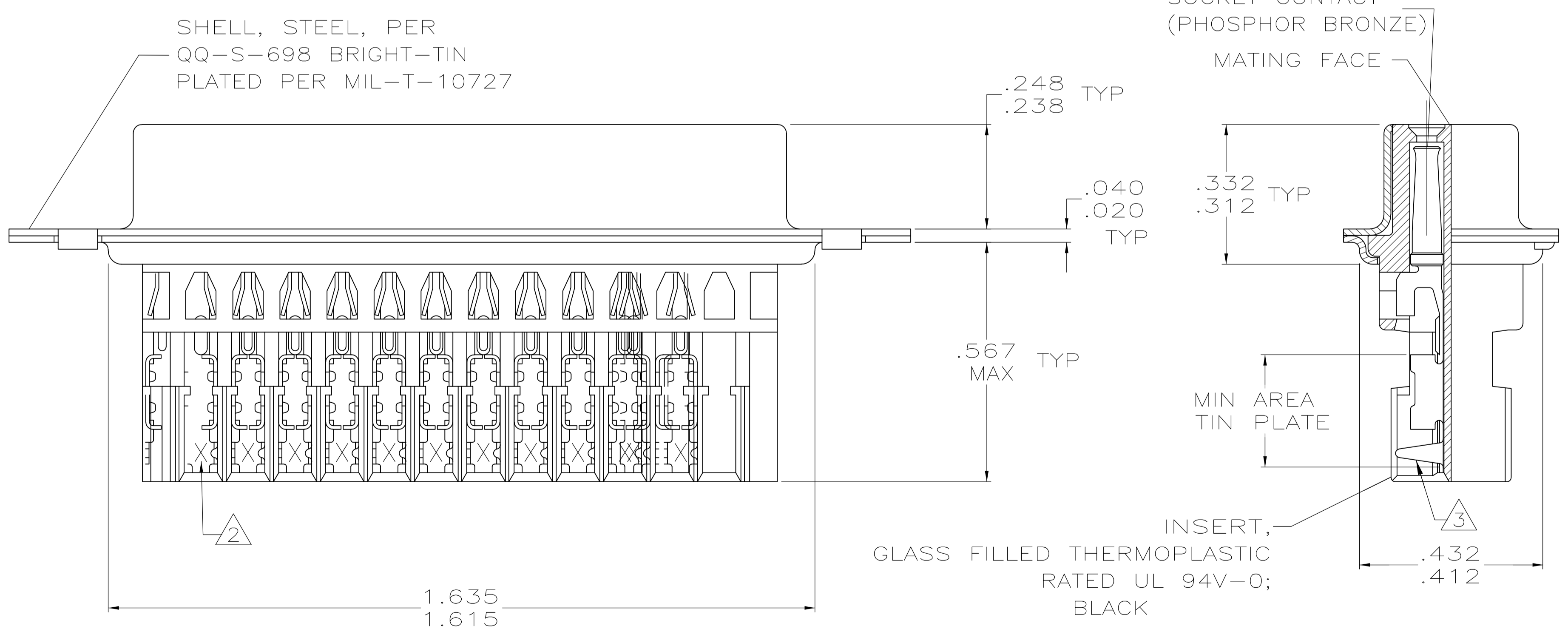
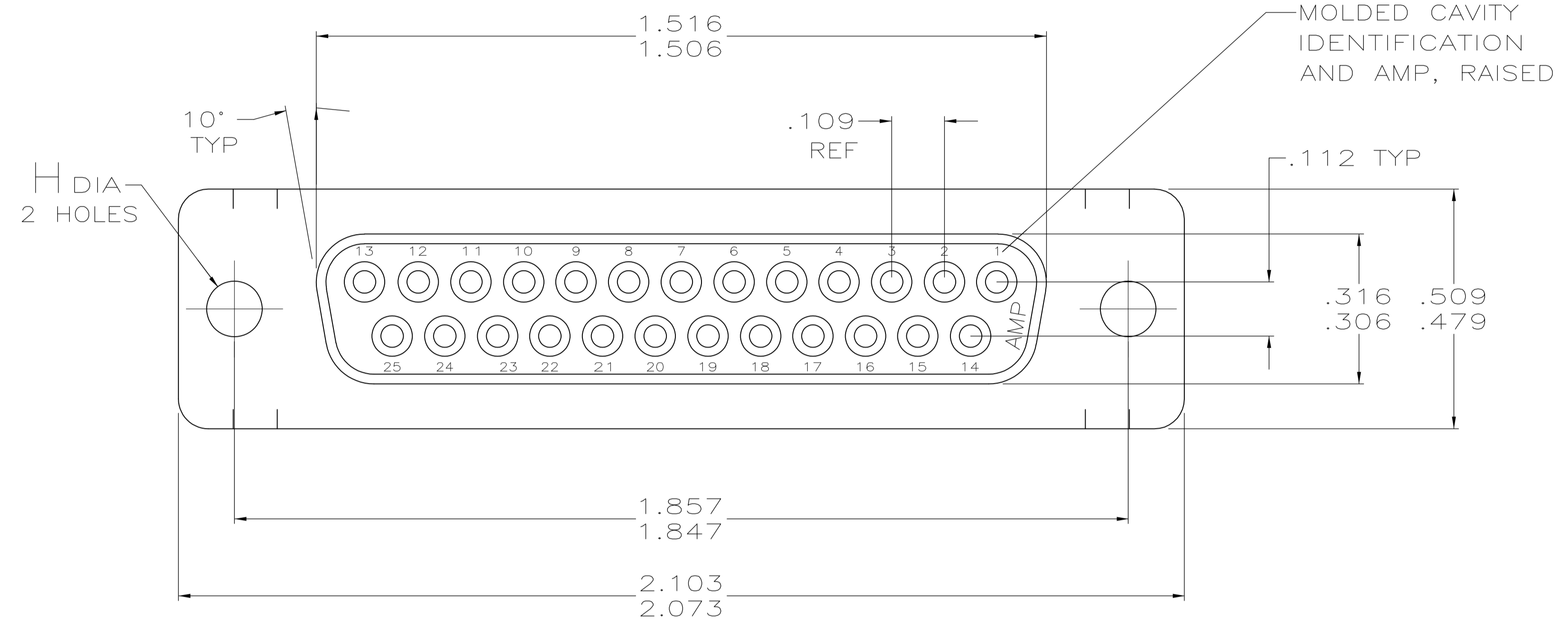
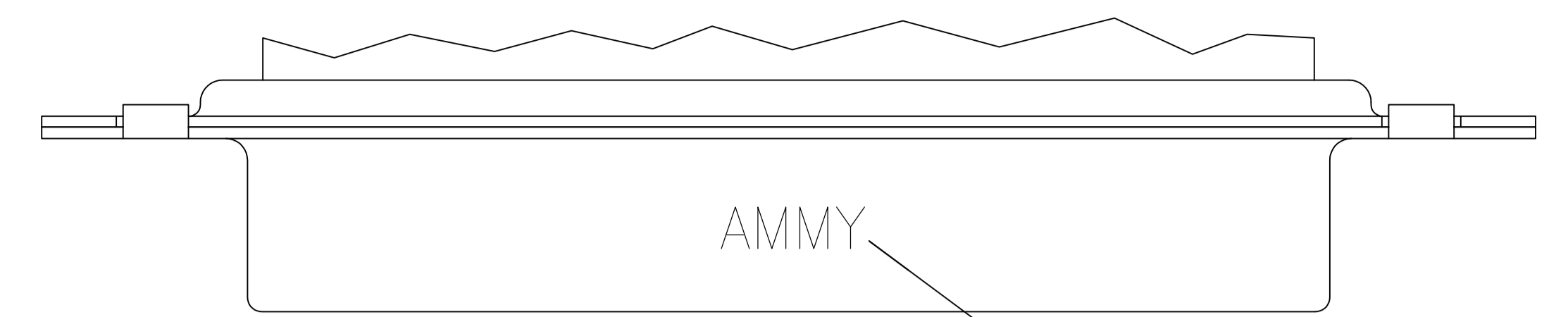
## Contact us

Tel: +86-755-8981 8866 Fax: +86-755-8427 6832

Email & Skype: info@chipsmall.com Web: www.chipsmall.com

Address: A1208, Overseas Decoration Building, #122 Zhenhua RD., Futian, Shenzhen, China





- ① HOUSING FULLY LOADED WITH CONTACTS.
- ② NUMBER ON CONTACT INDICATES WIRE RANGE.
- ③ CONTACT INSULATION RANGE: .060 MAXIMUM O.D.
- ④ .000030 GOLD ON MATING END FOR .100 MIN LENGTH. .000100-.000200 BRIGHT TIN OR BRIGHT TIN-LEAD IN AREA SHOWN. .000050 NICKEL UNDERPLATE ON ENTIRE CONTACT.
- ⑤ .000001 MIN GOLD ON MATING END FOR .100 MIN LENGTH. .000100-.000200 BRIGHT TIN OR BRIGHT TIN-LEAD IN AREA SHOWN. .000030 NICKEL UNDERPLATE ON ENTIRE CONTACT.
- ⑥ .000020 GOLD ON MATING END FOR .100 MIN LENGTH. .000100-.000200 BRIGHT TIN OR BRIGHT TIN-LEAD IN AREA SHOWN. .000050 NICKEL UNDERPLATE ON ENTIRE CONTACT.
- ⑦ .000050 MIN GOLD ON MATING END FOR .100 MIN LENGTH. .000100-.000200 BRIGHT TIN OR BRIGHT TIN-LEAD IN AREA SHOWN. .000050 MIN NICKEL UNDERPLATE ON ENTIRE CONTACT.
- ⑧ SPECIAL DATE CODE IN THIS APPROXIMATE AREA. A; MM = MONTH; Y = LAST DIGIT OF YEAR.
- ⑨ .000030 GOLD ON MATING END FOR .100 MIN LENGTH. .000100-.000200 MATTE TIN IN AREA SHOWN. .000050 NICKEL UNDERPLATE ON ENTIRE CONTACT.
- ⑩ .000001 MIN GOLD ON MATING END FOR .100 MIN LENGTH. .000100-.000200 MATTE TIN IN AREA SHOWN. .000030 NICKEL UNDERPLATE ON ENTIRE CONTACT.
- ⑪ OBSOLETE

|            |              |                |   |                |             |
|------------|--------------|----------------|---|----------------|-------------|
| STANDARD   | .125<br>.115 | ⑩              | 2 | #22-26         | 2-745495-0  |
| STANDARD   | .125<br>.115 | ⑨              | 3 | #20-22         | 1-745495-9  |
| STANDARD   | .125<br>.115 | ⑨              | 2 | #22-26         | 1-745495-8  |
| STANDARD   | .125<br>.115 | ⑨              | 1 | #26-30         | 1-745495-7  |
| SMALL PACK | .125<br>.115 | ⑤              | 2 | #22-26         | 1-745495-6  |
| STANDARD   | .125<br>.115 | ⑦              | 2 | #22-26         | 1-745495-4  |
| STANDARD   | .125<br>.115 | ⑥              | 2 | #22-26         | 1-745495-3  |
| STANDARD   | .156<br>.146 | ⑤              | 3 | #20-22         | 1-745495-2  |
|            |              |                | 2 | #22-26         | 1-745495-1  |
|            |              |                | 1 | #26-30         | 1-745495-0  |
| STANDARD   | .156<br>.146 | ④              | 3 | #20-22         | 745495-9    |
|            |              |                | 2 | #22-26         | 745495-8    |
|            |              |                | 1 | #26-30         | 745495-7    |
| STANDARD   | .125<br>.115 | ⑤              | 3 | #20-22         | 745495-6    |
|            |              |                | 2 | #22-26         | 745495-5    |
|            |              |                | 1 | #26-30         | 745495-4    |
| STANDARD   | .125<br>.115 | ④              | 3 | #20-22         | 745495-3    |
|            |              |                | 2 | #22-26         | 745495-2    |
|            |              |                | 1 | #26-30         | 745495-1    |
| PACKAGING  | H            | CONTACT FINISH | ② | AWG WIRE RANGE | PART NUMBER |

THIS DRAWING IS A CONTROLLED DOCUMENT. DIMENSIONS: INCHES. TOLERANCES UNLESS OTHERWISE SPECIFIED: 0 PLC ± .005, 1 PLC ± .005, 2 PLC ± .005, 3 PLC ± .005, 4 PLC ± .005, ANGLES ± .005. MATERIAL: SEE CALL OUT. FINISH: -.

THIS DRAWING IS A CONTROLLED DOCUMENT. DIM: J. GALLUCCI BG 3-19-90, CJK H. MOLL 4-12-90. APVD: -.

RECEPTACLE ASSEMBLY, METAL SHELL, SIZE 3, 25 POSITION.

SIZE: A1, CAGE CODE: 00779, DRAWING NO: 745495, WEIGHT: -.

CUSTOMER DRAWING. SCALE: 4:1, SHEET: 1 OF 1, REV: S1.