



Chipsmall Limited consists of a professional team with an average of over 10 year of expertise in the distribution of electronic components. Based in Hongkong, we have already established firm and mutual-benefit business relationships with customers from,Europe,America and south Asia,supplying obsolete and hard-to-find components to meet their specific needs.

With the principle of “Quality Parts,Customers Priority,Honest Operation,and Considerate Service”,our business mainly focus on the distribution of electronic components. Line cards we deal with include Microchip,ALPS,ROHM,Xilinx,Pulse,ON,Everlight and Freescale. Main products comprise IC,Modules,Potentiometer,IC Socket,Relay,Connector.Our parts cover such applications as commercial,industrial, and automotives areas.

We are looking forward to setting up business relationship with you and hope to provide you with the best service and solution. Let us make a better world for our industry!



Contact us

Tel: +86-755-8981 8866 Fax: +86-755-8427 6832

Email & Skype: info@chipsmall.com Web: www.chipsmall.com

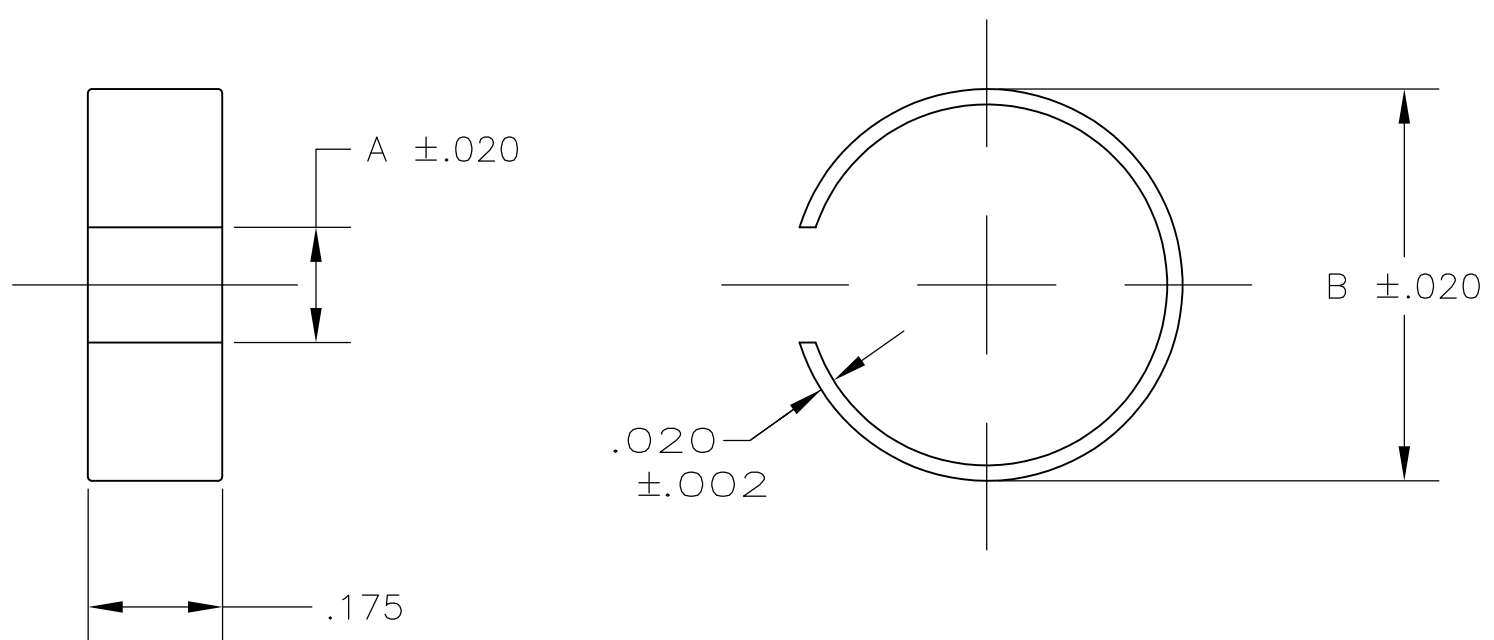
Address: A1208, Overseas Decoration Building, #122 Zhenhua RD., Futian, Shenzhen, China




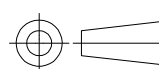
THIS DRAWING IS UNPUBLISHED. RELEASED FOR PUBLICATION
 © COPYRIGHT - By - ALL RIGHTS RESERVED.

LOC	DIST	REVISIONS					
GP	00	P	LTR	DESCRIPTION	DATE	DWN	APVD
				C1 REVISED PER ECO-11-005033	23MAR11	RK	HMR

FERRULE SELECTION PROCEDURE:
 A. SELECT THE DESIRED CABLE CLAMP FROM ANY OF THE FOLLOWING DRAWINGS:
 5745171, 5745172, 5745173, 5745174, 5745175, 5745854, 5747099,
 5745833, 5747100, 5747098, 5745919, 5745652, 5745653
 B. VERIFY THAT THE CHOSEN CABLE CLAMP IS AVAILABLE.
 C. SELECT A SPLIT RING FERRULE PART NUMBER TO MATCH THE CABLE
 CLAMP SIZE AND CABLE DIAMETER TO BE USED.
 D. SEE INNER FERRULES ON DRAWING 745129 FOR ADDITIONAL OPTIONS.



5	.710-.750	0.790	0.220	1-745508-2
4, 5	.635-.675	0.690	0.200	1-745508-1
4, 5	.560-.600	0.620	0.180	1-745508-0
3, 5	.490-.530	0.550	0.180	745508-9
3, 4	.460-.500	0.510	0.150	745508-8
5	.410-.450	0.470	0.150	745508-7
1, 2, 5	.335-.375	0.390	0.130	745508-6
3, 4	.310-.350	0.370	0.120	745508-5
2, 3	.260-.300	0.310	0.100	745508-4
1, 2	.185-.225	0.260	0.080	745508-3
1	.160-.200	0.220	0.060	745508-2
2, 3, 4	.390-.430	0.450	0.150	745508-1
FOR CABLE CLAMP SIZE(S)	CABLE DIA RANGE	B	A	PART NUMBER

THIS DRAWING IS A CONTROLLED DOCUMENT.		DWN	B. MCMASTER	12MAR04	 TE Connectivity
DIMENSIONS: INCHES		CHK	C. ROHDE	12MAR04	
		APVD	M. WALMSLEY	12MAR04	
TOLERANCES UNLESS OTHERWISE SPECIFIED: 0 PLC ± - 1 PLC ± - 2 PLC ± - 3 PLC ± .010 4 PLC ± - ANGLES ± -		PRODUCT SPEC	NAME		
MATERIAL	ALUMINUM	FINISH	-		FERRULE, CABLE CLAMP, SPLIT RING
CUSTOMER DRAWING		WEIGHT	-		SIZE
		A300779		DRAWING NO	C-745508
		SCALE	4:1		RESTRICTED TO
		SHEET	1 OF 1		REV
				C1	