



Chipsmall Limited consists of a professional team with an average of over 10 year of expertise in the distribution of electronic components. Based in Hongkong, we have already established firm and mutual-benefit business relationships with customers from,Europe,America and south Asia,supplying obsolete and hard-to-find components to meet their specific needs.

With the principle of “Quality Parts,Customers Priority,Honest Operation,and Considerate Service”,our business mainly focus on the distribution of electronic components. Line cards we deal with include Microchip,ALPS,ROHM,Xilinx,Pulse,ON,Everlight and Freescale. Main products comprise IC,Modules,Potentiometer,IC Socket,Relay,Connector.Our parts cover such applications as commercial,industrial, and automotives areas.

We are looking forward to setting up business relationship with you and hope to provide you with the best service and solution. Let us make a better world for our industry!



Contact us

Tel: +86-755-8981 8866 Fax: +86-755-8427 6832

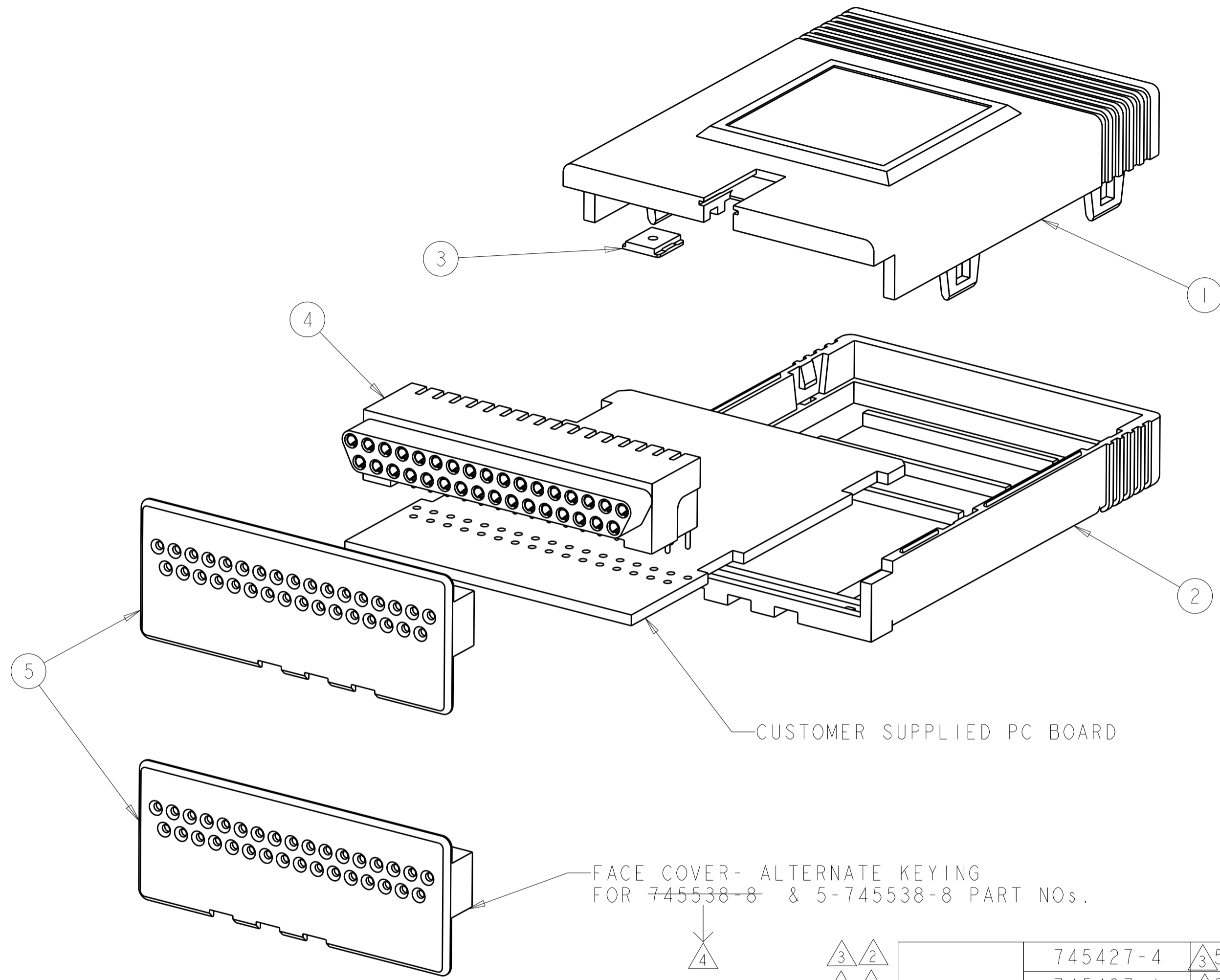
Email & Skype: info@chipsmall.com Web: www.chipsmall.com

Address: A1208, Overseas Decoration Building, #122 Zhenhua RD., Futian, Shenzhen, China



THIS DRAWING IS UNPUBLISHED. RELEASED FOR PUBLICATION
 © COPYRIGHT BY ALL RIGHTS RESERVED.

LOC	DIST	REVISIONS					
GP	00	P	LTR	DESCRIPTION	DATE	DWN	APVD
		C3		REVISED PER ECO-11-005140	23MAR2011	RK	HMR
		D		REVISED PER ECO-11-013485	29JUL2011	CJV	SLB



CUSTOMER SUPPLIED PC BOARD

FACE COVER- ALTERNATE KEYING FOR 745538-8 & 5-745538-8 PART NOs.

		745427-4		5-745447-1	745442-1	745433-1	745432-1	5-745538-8	
		745427-1		5-745447-1	745442-1	745433-1	745432-1	5-745538-5	
		745427-1		5-745447-1	745442-1	745433-1	745432-1	5-745538-1	
		745427-4		745447-1	745442-1	745433-1	745432-1	745538-8	
		745427-1		745447-1	745442-1	745433-1	745432-1	745538-5	
		745427-1		745447-1	745442-1	745433-1	745432-1	745538-1	
		FACE COVER		RCPT ASSY		SLIDE SWITCH		BOTTOM COVER	
		QTY = 1		QTY = 1		QTY = 1		QTY = 1	
									TOP COVER
									QTY = 1
									PART NO.

- COMPONENTS BULK PACKED PER DASH NO. REFER TO PACKAGING SPEC. NO. 107-40059-1.
- COMPONENTS KIT PACKED PER DASH NO. REFER TO PACKAGING SPEC. NO. 107-40059-2.
- ROHS 2002/95/EC COMPLIANT
- OBSOLETE PARTS: OBSOLETE CIS STREAMLINING PER D.RENAUD/D.SINISI

THIS DRAWING IS A CONTROLLED DOCUMENT.

DWN	R. BROWN	22MAR2001
CHK	J. OLSON	22MAR2001
APVD	J. OLSON	22MAR2001
PRODUCT SPEC		
APPLICATION SPEC		
WEIGHT		

STE TE Connectivity

NAME: COMPLETE CARTRIDGE ASSY, FOR AMPLIMATE CONNECTOR SYSTEM

SIZE	CAGE CODE	DRAWING NO	RESTRICTED TO
A2	00779	C-745538	-

CUSTOMER DRAWING SCALE 1:2 SHEET 1 OF 1 REV D