



Chipsmall Limited consists of a professional team with an average of over 10 year of expertise in the distribution of electronic components. Based in Hongkong, we have already established firm and mutual-benefit business relationships with customers from,Europe,America and south Asia,supplying obsolete and hard-to-find components to meet their specific needs.

With the principle of “Quality Parts,Customers Priority,Honest Operation,and Considerate Service”,our business mainly focus on the distribution of electronic components. Line cards we deal with include Microchip,ALPS,ROHM,Xilinx,Pulse,ON,Everlight and Freescale. Main products comprise IC,Modules,Potentiometer,IC Socket,Relay,Connector.Our parts cover such applications as commercial,industrial, and automotives areas.

We are looking forward to setting up business relationship with you and hope to provide you with the best service and solution. Let us make a better world for our industry!



## Contact us

Tel: +86-755-8981 8866 Fax: +86-755-8427 6832

Email & Skype: info@chipsmall.com Web: www.chipsmall.com

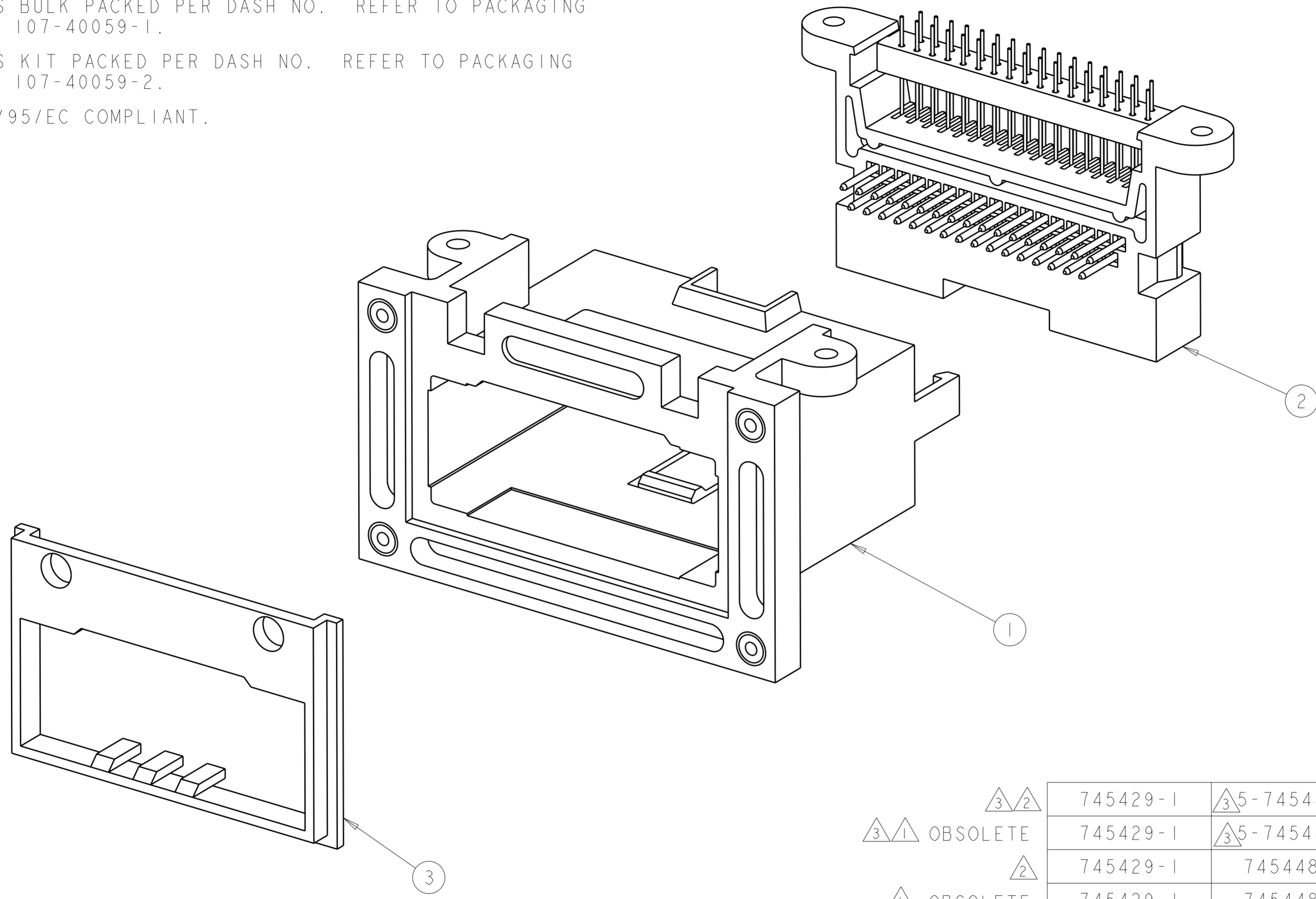
Address: A1208, Overseas Decoration Building, #122 Zhenhua RD., Futian, Shenzhen, China



THIS DRAWING IS UNPUBLISHED. RELEASED FOR PUBLICATION 20  
 © COPYRIGHT 20 BY - ALL RIGHTS RESERVED.

LOC	DIST	REVISIONS					
GP	00	P	LTR	DESCRIPTION	DATE	DWN	APVD
		F		ECO-12-010968	04OCT2012	CJV	CWR

- ① COMPONENTS BULK PACKED PER DASH NO. REFER TO PACKAGING SPEC. NO. 107-40059-1.
- ② COMPONENTS KIT PACKED PER DASH NO. REFER TO PACKAGING SPEC. NO. 107-40059-2.
- ③ ROHS 2002/95/EC COMPLIANT.



③ ②	745429-1	③ 5-745448-1	745443-1	5-745539-5		
③ ①	745429-1	③ 5-745448-1	745443-1	5-745539-1		
②	745429-1	745448-1	745443-1	745539-5		
①	745429-1	745448-1	745443-1	745539-1		
③	COVER, BACK PANEL MOUNT QTY = 1	②	PLUG ASSY QTY = 1	①	ASSY, HOLDER BODY QTY = 1	PART NUMBER

DIMENSIONS:		TOLERANCES UNLESS OTHERWISE SPECIFIED:		APVD		NAME	
INCHES		0 PLC ±		R BROWN 04APR2001		TE Connectivity	
		1 PLC ±0.1		CHK J OLSON 04APR2001		COMPLETE HOLDER ASSY FOR AMPLIMITE CASSETTE CONNECTOR	
		2 PLC ±0.02		APVD J OLSON 04APR2001		SIZE CAGE CODE DRAWING NO	
		3 PLC ±0.005		PRODUCT SPEC		A200779 C-745539	
		4 PLC ±0.0005		APPLICATION SPEC		RESTRICTED TO	
		ANGLES ±		WEIGHT		SCALE 2:1 SHEET 1 OF 1 REV F	
MATERIAL		FINISH		CUSTOMER DRAWING			