



Chipsmall Limited consists of a professional team with an average of over 10 year of expertise in the distribution of electronic components. Based in Hongkong, we have already established firm and mutual-benefit business relationships with customers from,Europe,America and south Asia,supplying obsolete and hard-to-find components to meet their specific needs.

With the principle of “Quality Parts,Customers Priority,Honest Operation,and Considerate Service”,our business mainly focus on the distribution of electronic components. Line cards we deal with include Microchip,ALPS,ROHM,Xilinx,Pulse,ON,Everlight and Freescale. Main products comprise IC,Modules,Potentiometer,IC Socket,Relay,Connector.Our parts cover such applications as commercial,industrial, and automotives areas.

We are looking forward to setting up business relationship with you and hope to provide you with the best service and solution. Let us make a better world for our industry!



Contact us

Tel: +86-755-8981 8866 Fax: +86-755-8427 6832

Email & Skype: info@chipsmall.com Web: www.chipsmall.com

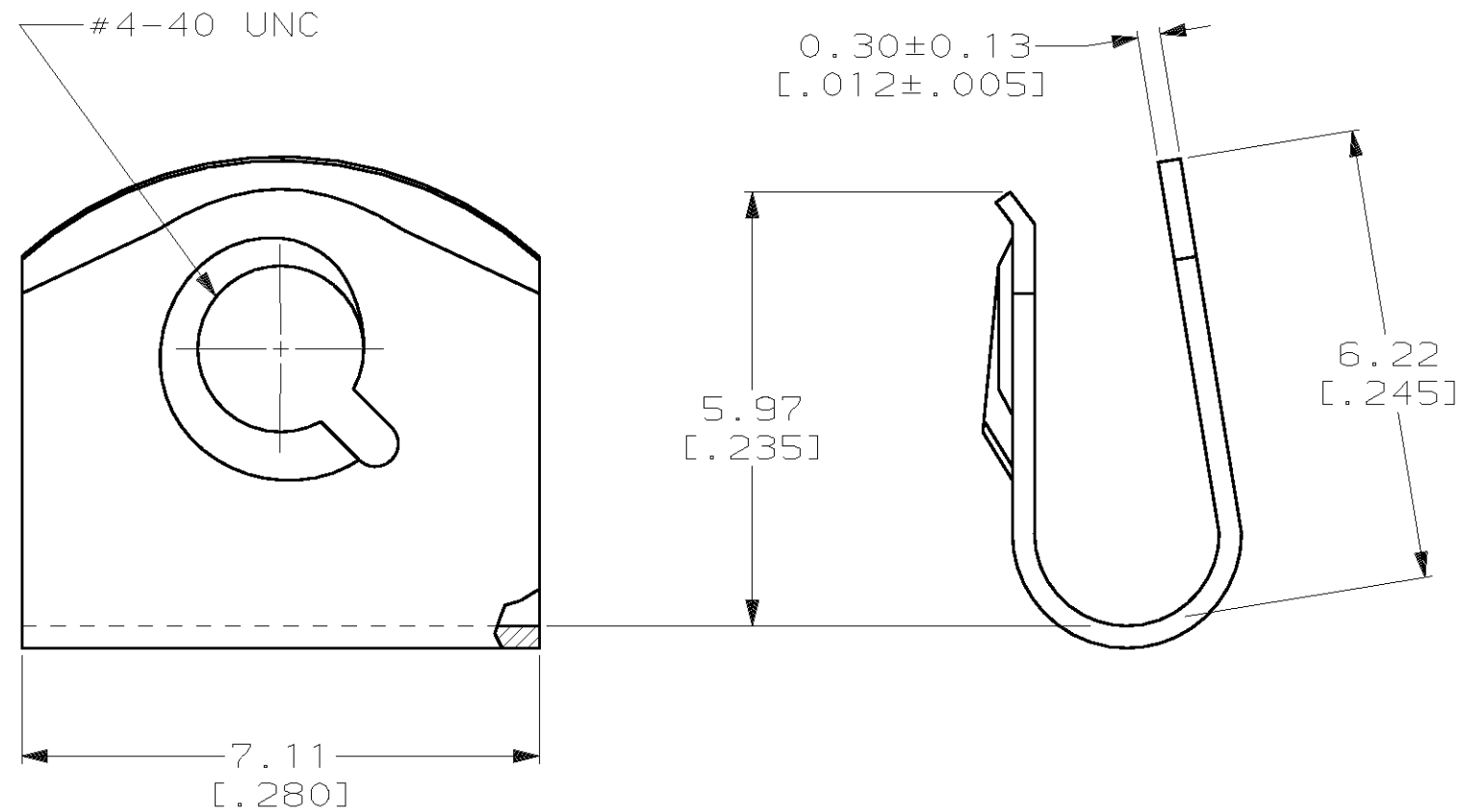
Address: A1208, Overseas Decoration Building, #122 Zhenhua RD., Futian, Shenzhen, China



THIS DRAWING IS UNPUBLISHED. RELEASED FOR PUBLICATION, 19
© COPYRIGHT 19 BY AMP INCORPORATED. ALL INTERNATIONAL RIGHTS RESERVED.

MOD	LOC	DIST	P	F	ZONE	LTR	DESCRIPTION	DATE	APPD
-	GP	00				B	REV PER 0U1D-0274-00	22 OCT 01	JR

1 STAINLESS STEEL PER ASTM A666.



METRIC

745564-1
PART NUMBER

DO NOT SCALE PRINT. UNLESS SPECIFIED DIMENSIONS IN mm [INCHES] TOLERANCES ON: 2 PLC DEC ± 0.51 [0.020] 3 PLC DEC ± - ANGLES ± -		DR 07/26/90 B. MOYER	AMP AMP Incorporated Harrisburg, PA 17105-3608
MATERIAL 1	CHK 8-2-90 R. STONE	NAME SCREW RETAINER, HDE	
FINISH -	APPD 8-2-90 B. TAYLOR	SIZE B	CAGE CODE 00779
	APPD 8-3-90 J. ASSINI	SCALE 10:1	DRAWING NO 745564
	PRODUCT SPEC -		SHEET 1 OF 1
	APPLICATION SPEC -		
	WEIGHT -		

CUSTOMER DRAWING