



Chipsmall Limited consists of a professional team with an average of over 10 year of expertise in the distribution of electronic components. Based in Hongkong, we have already established firm and mutual-benefit business relationships with customers from,Europe,America and south Asia,supplying obsolete and hard-to-find components to meet their specific needs.

With the principle of “Quality Parts,Customers Priority,Honest Operation,and Considerate Service”,our business mainly focus on the distribution of electronic components. Line cards we deal with include Microchip,ALPS,ROHM,Xilinx,Pulse,ON,Everlight and Freescale. Main products comprise IC,Modules,Potentiometer,IC Socket,Relay,Connector.Our parts cover such applications as commercial,industrial, and automotives areas.

We are looking forward to setting up business relationship with you and hope to provide you with the best service and solution. Let us make a better world for our industry!



Contact us

Tel: +86-755-8981 8866 Fax: +86-755-8427 6832

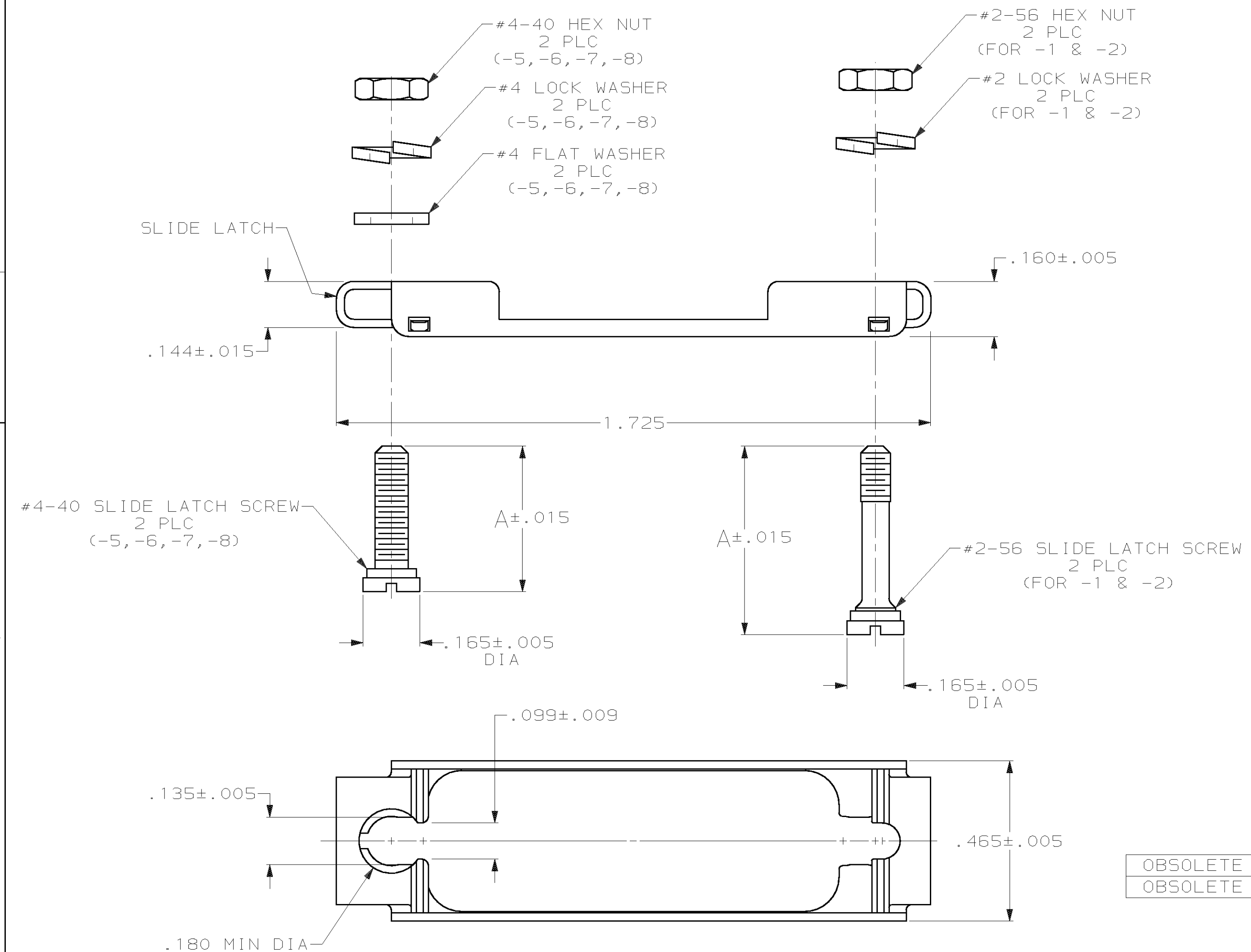
Email & Skype: info@chipsmall.com Web: www.chipsmall.com

Address: A1208, Overseas Decoration Building, #122 Zhenhua RD., Futian, Shenzhen, China



THIS DRAWING IS UNPUBLISHED. RELEASED FOR PUBLICATION, 19 .
 © COPYRIGHT 19 BY AMP INCORPORATED. ALL INTERNATIONAL RIGHTS RESERVED.

LOC	DIST	P	F	ZONE	LTR	DESCRIPTION	DATE	APPD
GP	00							
					E	REVISED & REDRAWN PER ECN-2364	8-16-88	JRS
					F	REVISED ECN-BD3390	12-7-89	JW
					G	REV PER ECN BD4844	04/05/91	BT
					H	OBS -8 PER ECN BD6177	06/16/92	TS
					J	REV PER ECN BD6381	07/10/92	TS
					J1	ADDED -9 PER NPR 4907	08/18/93	SB
					K	OBS -9 PER EC 0020-523-96	13 AUG 96	JS
					L	REV PER EC 0UE0-0002-01	10 JAN 02	JR



1. PARTS PACKAGED UNASSEMBLED.
2. PARTS PACKAGED AS A UNIT KIT.
3. PARTS INDIVIDUALLY BULK PACKAGED AND SHIPPED AS A UNIT PACKAGE.
4. ZINC PLATED PER ASTM B633, TYPE III, CLASS SCI, CLEAR CHROMATE.
5. ZINC PLATED PER ASTM B633, TYPE II, CLASS SCI, YELLOW CHROMATE.
6. THIS KIT CAN BE USED WITH TWO-PIECE STRAIGHT/90° EXIT CABLE CLAMPS, RFI/EMI CABLE CLAMPS OR UNIVERSAL CABLE CLAMPS.
7. THIS KIT CAN BE USED WITH ONE-PIECE STRAIGHT/45° EXIT CABLE CLAMPS, ONE-PIECE STRAIGHT/90° EXIT CABLE CLAMPS OR ON CONNECTORS WITHOUT CABLE CLAMPS.
8. PARTS SMALL PACK PACKAGED.

OBSOLETE	.415	5	#4-40	8	7	745583-9
OBSOLETE	.450	5	#4-40	3	7	745583-8
	.450	5	#4-40	2	7	745583-7
	.415	5	#4-40	3	7	745583-6
	.415	5	#4-40	2	7	745583-5
OBSOLETE	-	4	#2-56	3		745583-4
SUPERSEDED BY -1	-	4	#2-56	2		745583-3
OBSOLETE	.547	4	#2-56	3	6	745583-2
	.547	4	#2-56	2	6	745583-1

FINISH	SIZE	FSCM NO	DRAWING NO
HARDWARE FINISH	A	00779	745583
THREAD TYPE			
PACKAGING			
PART NO			

DO NOT SCALE PRINT. UNLESS SPECIFIED DIMENSIONS IN INCHES TOLERANCES ON:
 2 PLC DEC ± -
 3 PLC DEC ± .010
 ANGLES ± -

DR 8-12-88 L.SIPE
 CHK 8-12-88 W.LENKER
 APPD 8-15-88 R.WHYNE
 APPD 8-16-88 J.SHOWERS

MATERIAL
 SLIDE LATCH: STAINLESS STEEL
 HARDWARE: STEEL PER ASTM A108

FINISH
 HARDWARE: SEE TABLE

APPLICATION SPEC -
 WEIGHT -

AMP | AMP INCORPORATED
 Harrisburg, Pa. 17105

NAME
 KIT, SLIDE LATCH, SIZE 2,
 15 POSITION, AMPLIMITE®

SCALE 4:1
 SHEET 1 OF 1