



Chipsmall Limited consists of a professional team with an average of over 10 year of expertise in the distribution of electronic components. Based in Hongkong, we have already established firm and mutual-benefit business relationships with customers from,Europe,America and south Asia,supplying obsolete and hard-to-find components to meet their specific needs.

With the principle of “Quality Parts,Customers Priority,Honest Operation,and Considerate Service”,our business mainly focus on the distribution of electronic components. Line cards we deal with include Microchip,ALPS,ROHM,Xilinx,Pulse,ON,Everlight and Freescale. Main products comprise IC,Modules,Potentiometer,IC Socket,Relay,Connector.Our parts cover such applications as commercial,industrial, and automotives areas.

We are looking forward to setting up business relationship with you and hope to provide you with the best service and solution. Let us make a better world for our industry!



## Contact us

Tel: +86-755-8981 8866 Fax: +86-755-8427 6832

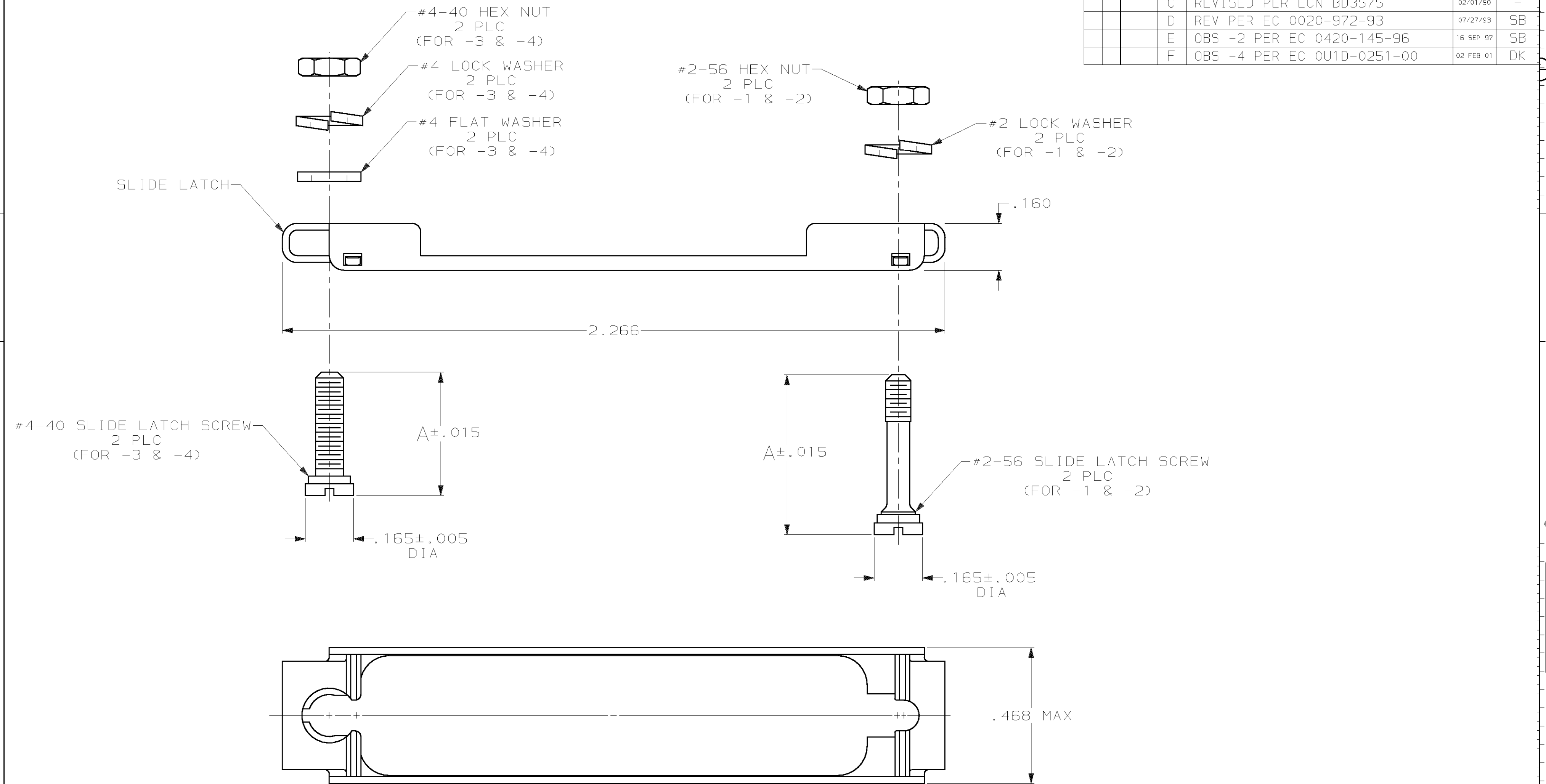
Email & Skype: info@chipsmall.com Web: www.chipsmall.com

Address: A1208, Overseas Decoration Building, #122 Zhenhua RD., Futian, Shenzhen, China



THIS DRAWING IS UNPUBLISHED. RELEASED FOR PUBLICATION, 19 .  
 © COPYRIGHT 19 BY AMP INCORPORATED. ALL INTERNATIONAL RIGHTS RESERVED.

LOC	DIST	P	F	ZONE	LTR	DESCRIPTION	DATE	APPD
BD	0				B	REVISED & REDRAWN PER ECN-2364	8-16-88	JLS
					C	REVISED PER ECN BD3575	02/01/90	-
					D	REV PER EC 0020-972-93	07/27/93	SB
					E	OBS -2 PER EC 0420-145-96	16 SEP 97	SB
					F	OBS -4 PER EC 0U1D-0251-00	02 FEB 01	DK



1. PARTS PACKAGED UNASSEMBLED.
2. PARTS PACKAGED AS A UNIT KIT.
3. PARTS INDIVIDUALLY BULK PACKAGED & SHIPPED AS A UNIT PACKAGE.
4. ZINC PLATED PER ASTM B633, TYPE III, CLASS SCI, CLEAR CHROMATE.
5. ZINC PLATED PER ASTM B633, TYPE II, CLASS SCI, YELLOW CHROMATE.
6. THIS KIT CAN BE USED WITH TWO-PIECE STRAIGHT/90° EXIT CABLE CLAMPS, RFI/EMI CABLE CLAMPS OR UNIVERSAL CABLE CLAMPS.
7. THIS KIT CAN BE USED WITH STRAIGHT/45° EXIT ONE-PIECE CABLE CLAMPS, STRAIGHT/90° EXIT ONE-PIECE CABLE CLAMPS, OR ON CONNECTORS WITHOUT CABLE CLAMPS.

OBSOLETE	.415	5	#4-40	3	7	745584-4
	.415	5	#4-40	2	7	745584-3
OBSOLETE	.547	4	#2-56	3	6	745584-2
	.547	4	#2-56	2	6	745584-1

		A	HARDWARE FINISH	THREAD TYPE	PACKAGING	PART NO
DO NOT SCALE PRINT. UNLESS SPECIFIED DIMENSIONS IN INCHES TOLERANCES ON:		DR 8-12-88 L SIPE				
2 PLC DEC ± -		CHK 8-12-88 W LENKER				
3 PLC DEC ± .010		APPD 8-15-88 R WHYNE				
ANGLES ± -		APPD 8-16-88 J SHOWERS				
MATERIAL		PRODUCT SPEC				
SLIDE LATCH: STAINLESS STEEL						
HARDWARE: STEEL PER ASTM A108						
FINISH		APPLICATION SPEC				
HARDWARE: SEE TABLE						
WEIGHT -						

**AMP** | AMP INCORPORATED  
Harrisburg, Pa. 17105

NAME  
**KIT, SLIDE LATCH, SIZE 3, 25 POSITION, AMPLIMITE®**

SIZE **C** FSCM NO 00779 DRAWING NO 745584  
 SCALE 4:1 SHEET 1 OF 1