



Chipsmall Limited consists of a professional team with an average of over 10 year of expertise in the distribution of electronic components. Based in Hongkong, we have already established firm and mutual-benefit business relationships with customers from,Europe,America and south Asia,supplying obsolete and hard-to-find components to meet their specific needs.

With the principle of “Quality Parts,Customers Priority,Honest Operation,and Considerate Service”,our business mainly focus on the distribution of electronic components. Line cards we deal with include Microchip,ALPS,ROHM,Xilinx,Pulse,ON,Everlight and Freescale. Main products comprise IC,Modules,Potentiometer,IC Socket,Relay,Connector.Our parts cover such applications as commercial,industrial, and automotives areas.

We are looking forward to setting up business relationship with you and hope to provide you with the best service and solution. Let us make a better world for our industry!



Contact us

Tel: +86-755-8981 8866 Fax: +86-755-8427 6832

Email & Skype: info@chipsmall.com Web: www.chipsmall.com

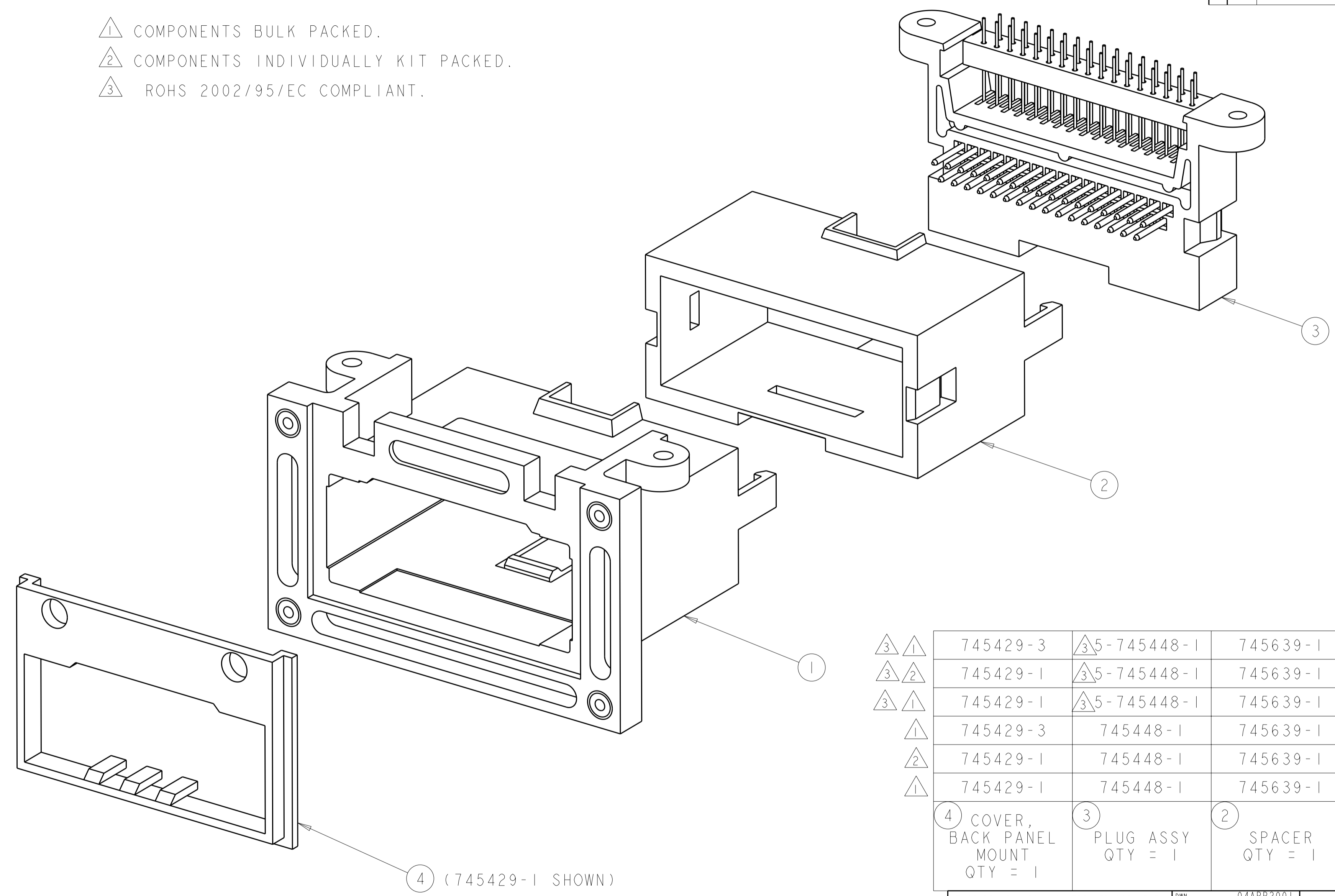
Address: A1208, Overseas Decoration Building, #122 Zhenhua RD., Futian, Shenzhen, China



THIS DRAWING IS UNPUBLISHED. RELEASED FOR PUBLICATION 20
 © COPYRIGHT 20 BY - ALL RIGHTS RESERVED.

LOC	DIST	REVISIONS				
P	LTR	DESCRIPTION	DATE	DWN	APVD	
AD	00					
	D2	REVISED PER ECO-11-005027	17MAR2011	RK	HMR	

- ① COMPONENTS BULK PACKED.
- ② COMPONENTS INDIVIDUALLY KIT PACKED.
- ③ ROHS 2002/95/EC COMPLIANT.



③ ①	745429-3	③ 5-745448-1	745639-1	745443-1	5-745641-3
③ ②	745429-1	③ 5-745448-1	745639-1	745443-1	5-745641-2
③ ①	745429-1	③ 5-745448-1	745639-1	745443-1	5-745641-1
①	745429-3	745448-1	745639-1	745443-1	745641-3
②	745429-1	745448-1	745639-1	745443-1	745641-2
①	745429-1	745448-1	745639-1	745443-1	745641-1
④	COVER, BACK PANEL MOUNT QTY = 1	③	PLUG ASSY QTY = 1	②	SPACER QTY = 1
				①	ASSY, HOLDER BODY QTY = 1
					PART NUMBER

④ (745429-1 SHOWN)

THIS DRAWING IS A CONTROLLED DOCUMENT.		DWN R BROWN 04APR2001	TE Connectivity															
		CHK J OLSON 04APR2001																
		APVD J OLSON 04APR2001	NAME KIT, LONG HOLDER ASSY, AMPLIMITE CASSETTE CONN. SYSTEM															
DIMENSIONS: INCHES		TOLERANCES UNLESS OTHERWISE SPECIFIED:	SIZE A200779C-745641															
<table border="0"> <tr><td>0 PLC</td><td>±</td></tr> <tr><td>1 PLC</td><td>±0.1</td></tr> <tr><td>2 PLC</td><td>±0.02</td></tr> <tr><td>3 PLC</td><td>±0.005</td></tr> <tr><td>4 PLC</td><td>±0.0005</td></tr> <tr><td>ANGLES</td><td>±</td></tr> <tr><td>FINISH</td><td></td></tr> </table>		0 PLC	±	1 PLC	±0.1	2 PLC	±0.02	3 PLC	±0.005	4 PLC	±0.0005	ANGLES	±	FINISH		PRODUCT SPEC -	RESTRICTED TO -	
0 PLC	±																	
1 PLC	±0.1																	
2 PLC	±0.02																	
3 PLC	±0.005																	
4 PLC	±0.0005																	
ANGLES	±																	
FINISH																		
MATERIAL -		APPLICATION SPEC -	SCALE 2:1															
		WEIGHT -	SHEET 1 OF 1															
		CUSTOMER DRAWING	REV D2															