



Chipsmall Limited consists of a professional team with an average of over 10 year of expertise in the distribution of electronic components. Based in Hongkong, we have already established firm and mutual-benefit business relationships with customers from,Europe,America and south Asia,supplying obsolete and hard-to-find components to meet their specific needs.

With the principle of “Quality Parts,Customers Priority,Honest Operation,and Considerate Service”,our business mainly focus on the distribution of electronic components. Line cards we deal with include Microchip,ALPS,ROHM,Xilinx,Pulse,ON,Everlight and Freescale. Main products comprise IC,Modules,Potentiometer,IC Socket,Relay,Connector.Our parts cover such applications as commercial,industrial, and automotives areas.

We are looking forward to setting up business relationship with you and hope to provide you with the best service and solution. Let us make a better world for our industry!



Contact us

Tel: +86-755-8981 8866 Fax: +86-755-8427 6832

Email & Skype: info@chipsmall.com Web: www.chipsmall.com

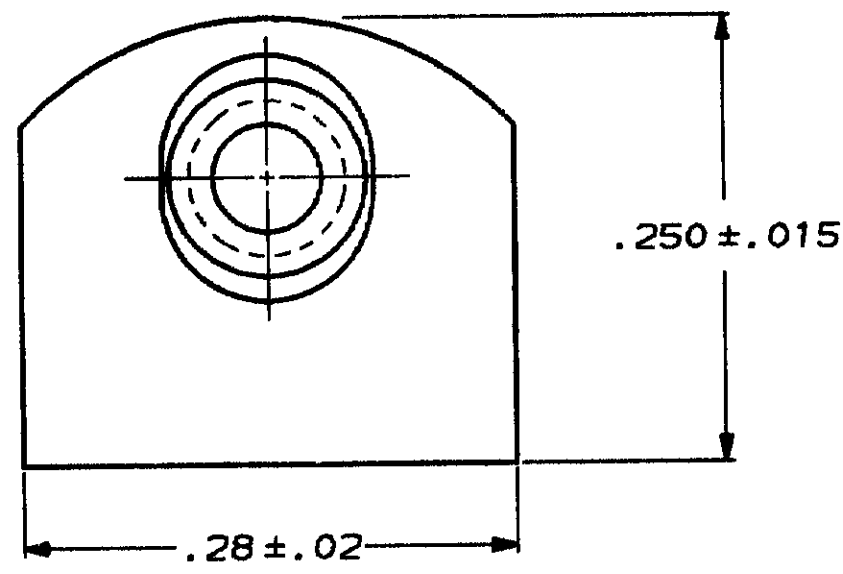
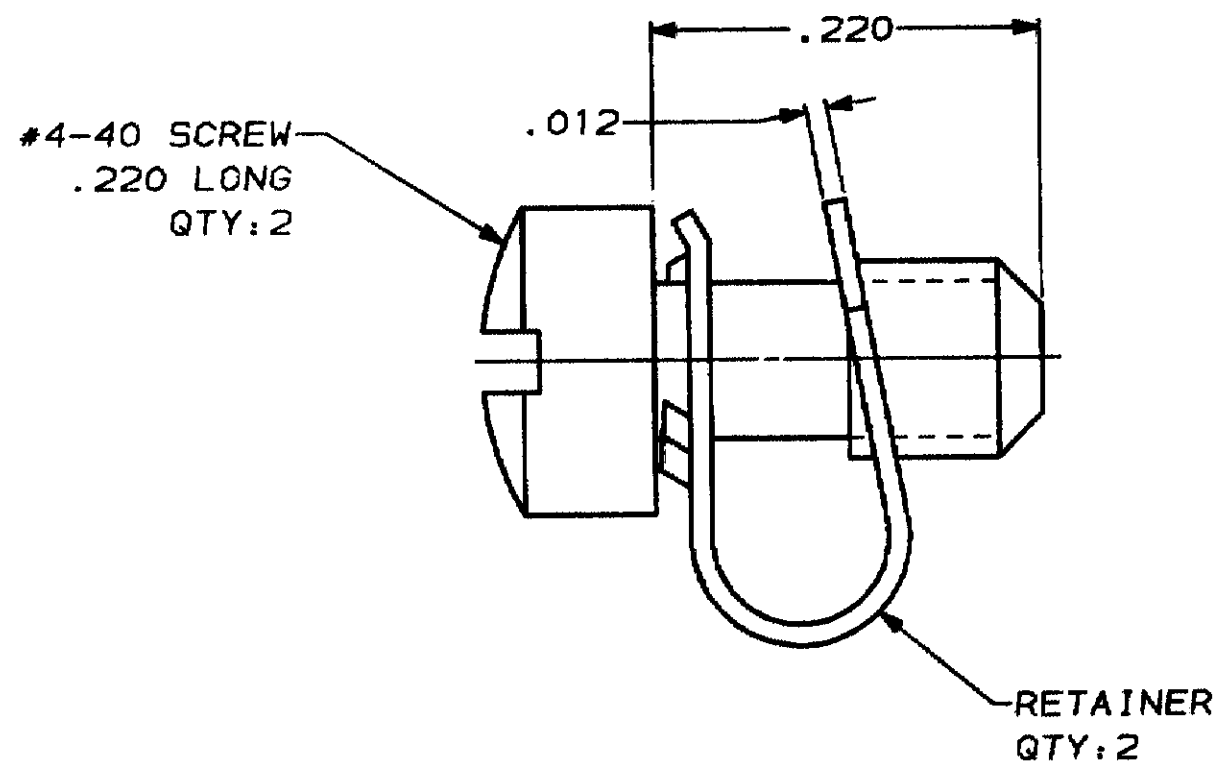
Address: A1208, Overseas Decoration Building, #122 Zhenhua RD., Futian, Shenzhen, China



THIS DRAWING IS UNPUBLISHED. RELEASED FOR PUBLICATION .19
 © COPYRIGHT 19 BY AMP INCORPORATED. ALL INTERNATIONAL RIGHTS RESERVED.

MOD 8 LOC BD DIST 39

REVISIONS				
ZONE	LTR	DESCRIPTION	DATE	APPD
	D	REDRAWN ON CAD	4-17-80	-
	E	REV PER ECN BD4276	12/07/80	-



- 1. PARTS PACKAGED UNASSEMBLED.
- ② ZINC PLATED PER ASTM B633, TYPE II, CLASS SCI, YELLOW CHROMATE.
- ③ STAINLESS STEEL PER ASTM A666.
- ④ PARTS PACKED AS A UNIT KIT.
- ⑤ PARTS INDIVIDUALLY BULK PACKED & SHIPPED AS A UNIT PACKAGE.

⑤	745647-2
④	745647-1
PACKAGING	PART NUMBER

DO NOT SCALE PRINT. UNLESS SPECIFIED DIMENSIONS IN INCHES TOLERANCES ON: 2 PLC DEC * - 3 PLC DEC * .010 ANGLES * -	DR 4-17-80 J. GALLUCCI BS	AMP AMP INCORPORATED Harrisburg, Pa. 17105	
	CHK 8-15-80 M.S. LEWIS		
MATERIAL SCREWS: STEEL RETAINERS: ③	APPD 7-18-80 J. ASSINI PRODUCT SPEC	NAME KIT, SCREW RETAINER AMPLIMITE™ HDE	
FINISH SCREWS: ②	APPLICATION SPEC - WEIGHT -	SIZE B	PSCH NO 00779
		DRAWING NO 745647	SHEET 1 OF 1
		SCALE 10:1	

CUSTOMER DRAWING