



Chipsmall Limited consists of a professional team with an average of over 10 year of expertise in the distribution of electronic components. Based in Hongkong, we have already established firm and mutual-benefit business relationships with customers from,Europe,America and south Asia,supplying obsolete and hard-to-find components to meet their specific needs.

With the principle of "Quality Parts,Customers Priority,Honest Operation,and Considerate Service",our business mainly focus on the distribution of electronic components. Line cards we deal with include Microchip,ALPS,ROHM,Xilinx,Pulse,ON,Everlight and Freescale. Main products comprise IC,Modules,Potentiometer,IC Socket,Relay,Connector.Our parts cover such applications as commercial,industrial, and automotives areas.

We are looking forward to setting up business relationship with you and hope to provide you with the best service and solution. Let us make a better world for our industry!



Contact us

Tel: +86-755-8981 8866 Fax: +86-755-8427 6832

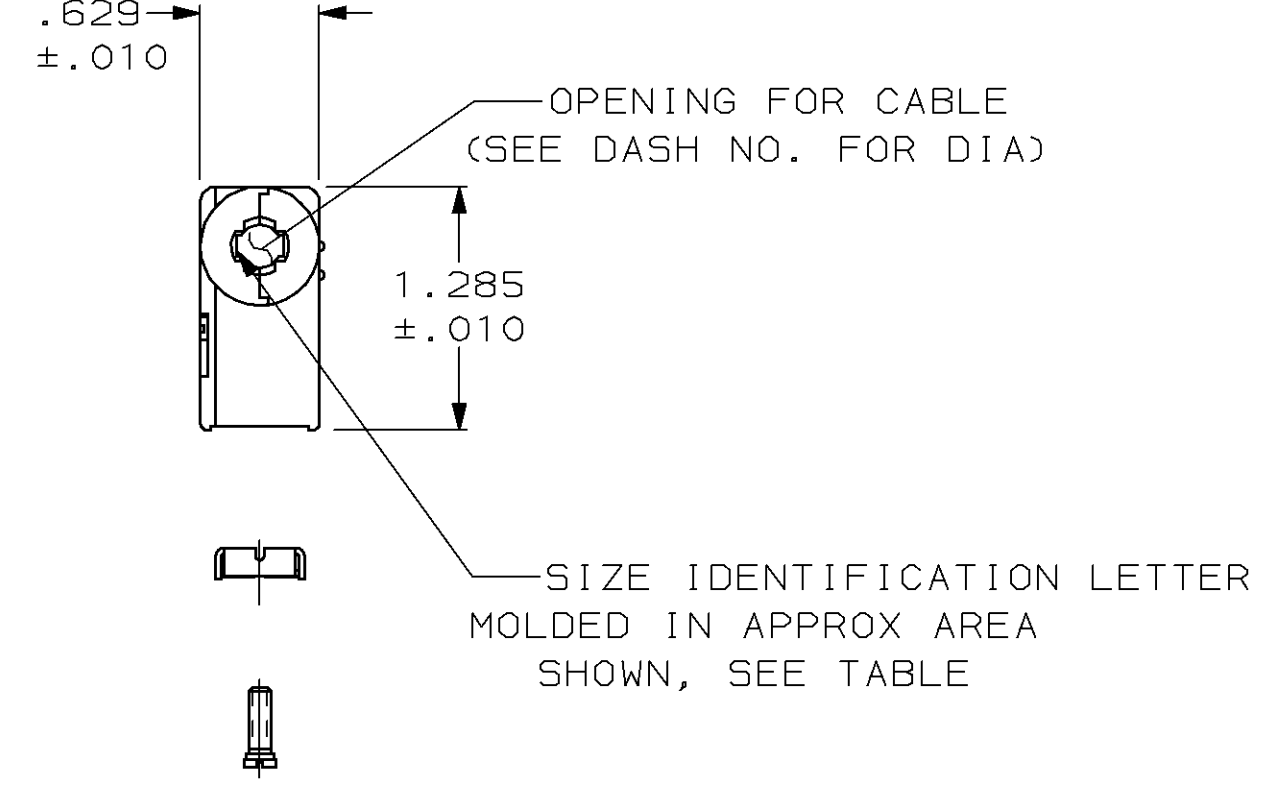
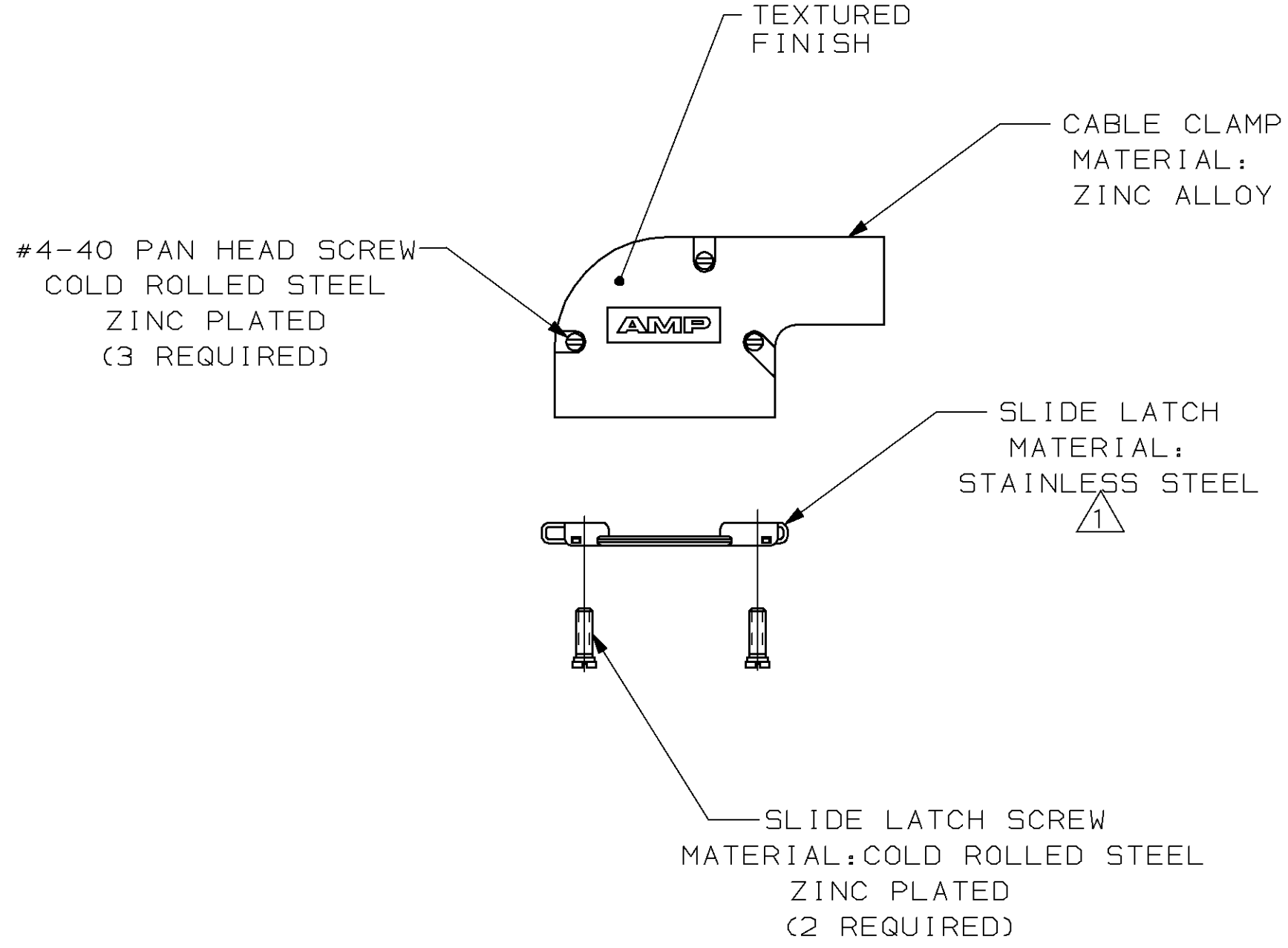
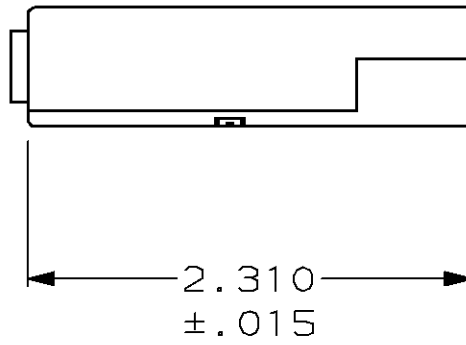
Email & Skype: info@chipsmall.com Web: www.chipsmall.com

Address: A1208, Overseas Decoration Building, #122 Zhenhua RD., Futian, Shenzhen, China



THIS DRAWING IS UNPUBLISHED. RELEASED FOR PUBLICATION
 © COPYRIGHT 19 BY AMP INCORPORATED. ALL INTERNATIONAL RIGHTS RESERVED.

LOC	DIST	P	F	ZONE	LTR	DESCRIPTION	DATE	APPD
BD	48				C	REDRAWN	7/11/90	-
					C1	ADDED -5 PER NPR 4841	07/09/93	MW
					D	REV PER EC 0020-881-95	25 AUG 95	JS
					E	OBS -5 PER EC 0420-141-96	23 SEPT 97	SB



OBSOLETE	SMALL PACK	K	PLATED NICKEL OVER COPPER	CABLE DIA	PART NO.
	STANDARD	B		.430	745652-5
	STANDARD	E		.225	745652-4
	STANDARD	H		.300	745652-3
	STANDARD	K		.375	745652-2
	STANDARD	K		.430	745652-1
	PACKAGING	NECK IDENT	REMARKS		

- 1 KIT INCLUDES SLIDE LATCH & SCREWS.
- 2. ALL PARTS PACKAGED UNASSEMBLED.

DO NOT SCALE PRINT. UNLESS SPECIFIED DIMENSIONS IN INCHES TOLERANCES ON : 2 PLC DEC ± - 3 PLC DEC ± .005 ANGLES ± -	DR 7-10-90 A.STAUB BG CHK 9-10-90 J.McCLINTON APPD 9-11-90 B.TAYLOR	AMP INCORPORATED Harrisburg, Pa. 17105			
MATERIAL SEE CALLOUTS	APPD 9-11-90 J.ASSINI PRODUCT SPEC -	NAME CABLE CLAMP KIT, SIZE 2, 15 POSITION, 90°, AMPLIMITE™ SERIES			
FINISH SEE CALLOUTS	APPLICATION SPEC -	SIZE C	FSCM NO 00779	DRAWING NO 745652	
	WEIGHT -	SCALE 1:1		SHEET 1 OF 1	