



Chipsmall Limited consists of a professional team with an average of over 10 year of expertise in the distribution of electronic components. Based in Hongkong, we have already established firm and mutual-benefit business relationships with customers from,Europe,America and south Asia,supplying obsolete and hard-to-find components to meet their specific needs.

With the principle of "Quality Parts,Customers Priority,Honest Operation,and Considerate Service",our business mainly focus on the distribution of electronic components. Line cards we deal with include Microchip,ALPS,ROHM,Xilinx,Pulse,ON,Everlight and Freescale. Main products comprise IC,Modules,Potentiometer,IC Socket,Relay,Connector.Our parts cover such applications as commercial,industrial, and automotives areas.

We are looking forward to setting up business relationship with you and hope to provide you with the best service and solution. Let us make a better world for our industry!



Contact us

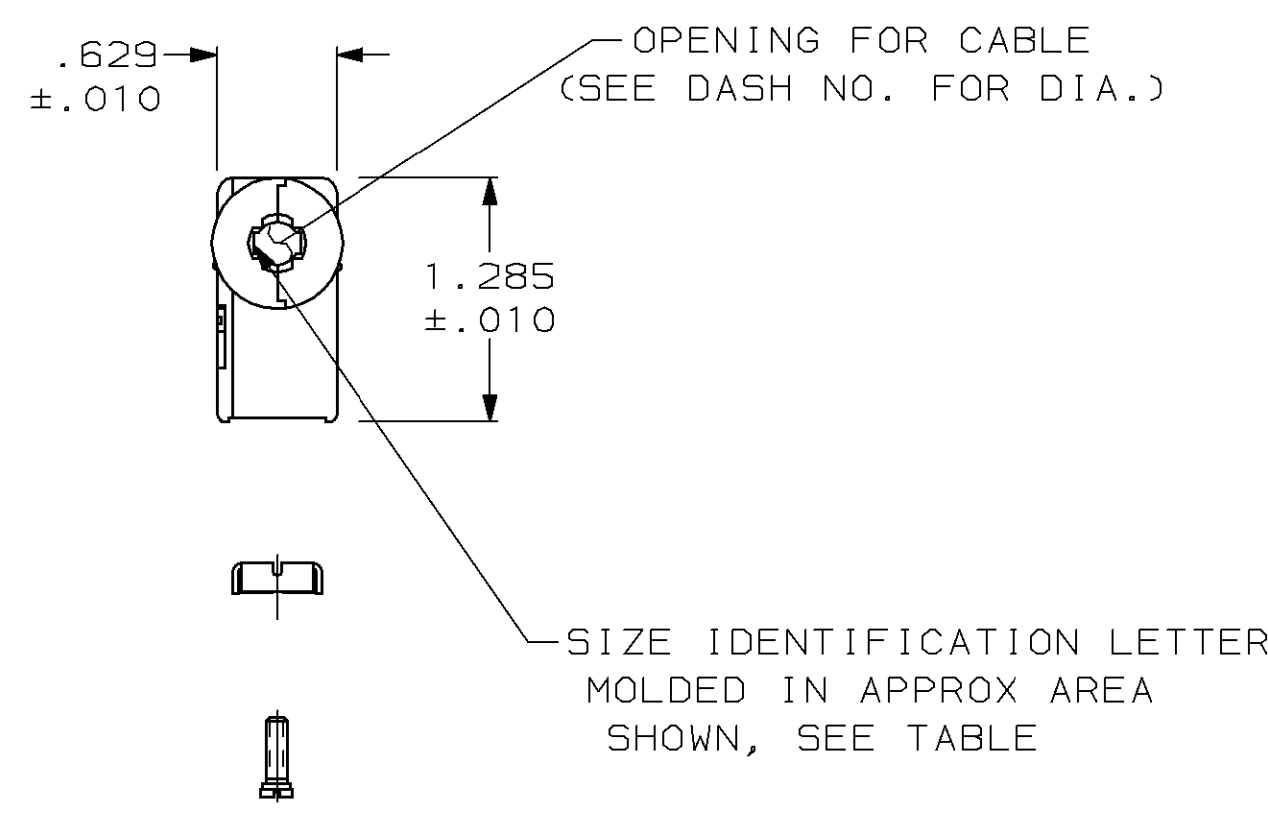
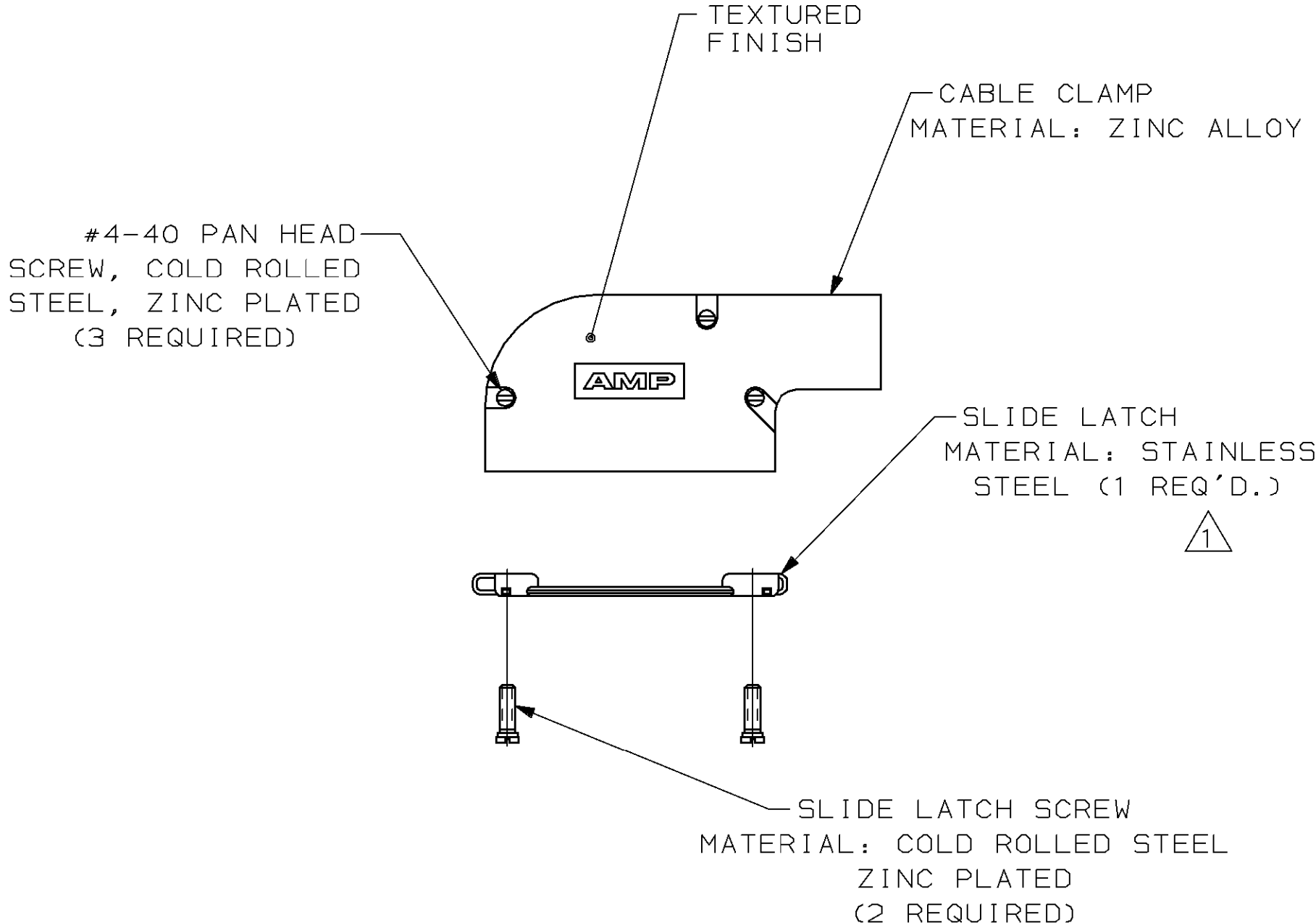
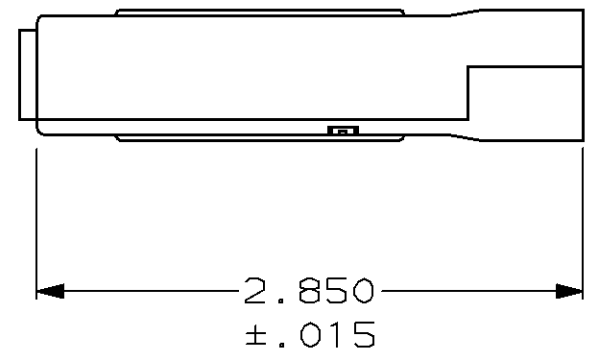
Tel: +86-755-8981 8866 Fax: +86-755-8427 6832

Email & Skype: info@chipsmall.com Web: www.chipsmall.com

Address: A1208, Overseas Decoration Building, #122 Zhenhua RD., Futian, Shenzhen, China



LOC		DIST		REVISIONS				
BD	48	P	F	ZONE	LTR	DESCRIPTION	DATE	APPD
					C	REDRAWN	7/9/90	-
					D	REV PER EC 0020-881-95	25 AUG 95	JS



D	PLATED NICKEL OVER COPPER	.280	745653-5
G		.355	745653-4
K		.430	745653-3
M		.480	745653-2
P		.530	745653-1
NECK IDENT	REMARKS	CABLE DIA	PART NO.

- 1 KIT INCLUDES SLIDE LATCH & SCREWS.
- 2. ALL PARTS PACKAGED UNASSEMBLED.

DO NOT SCALE PRINT. UNLESS SPECIFIED DIMENSIONS IN INCHES TOLERANCES ON :	DR 7/9/90 A.STAUB BG	AMP INCORPORATED Harrisburg, Pa. 17105	
2 PLC DEC ± -	CHK 9-10-90 J.McCLINTON		
3 PLC DEC ± .005	APPD 9-11-90 B.TAYLOR	NAME	
ANGLES ± -	APPD 9-11-90 J.ASSINI	CABLE CLAMP KIT, SIZE 3, 25 POSITION, 90°, AMPLIMITE™ SERIES	
MATERIAL	PRODUCT SPEC	SIZE	FSCM NO
SEE CALLOUTS	-	C	00779
FINISH	APPLICATION SPEC	DRAWING NO	745653
SEE CALLOUTS	-	SCALE	1:1
	WEIGHT -	SHEET	1 OF 1