



Chipsmall Limited consists of a professional team with an average of over 10 year of expertise in the distribution of electronic components. Based in Hongkong, we have already established firm and mutual-benefit business relationships with customers from,Europe,America and south Asia,supplying obsolete and hard-to-find components to meet their specific needs.

With the principle of “Quality Parts,Customers Priority,Honest Operation,and Considerate Service”,our business mainly focus on the distribution of electronic components. Line cards we deal with include Microchip,ALPS,ROHM,Xilinx,Pulse,ON,Everlight and Freescale. Main products comprise IC,Modules,Potentiometer,IC Socket,Relay,Connector.Our parts cover such applications as commercial,industrial, and automotives areas.

We are looking forward to setting up business relationship with you and hope to provide you with the best service and solution. Let us make a better world for our industry!



## Contact us

Tel: +86-755-8981 8866 Fax: +86-755-8427 6832

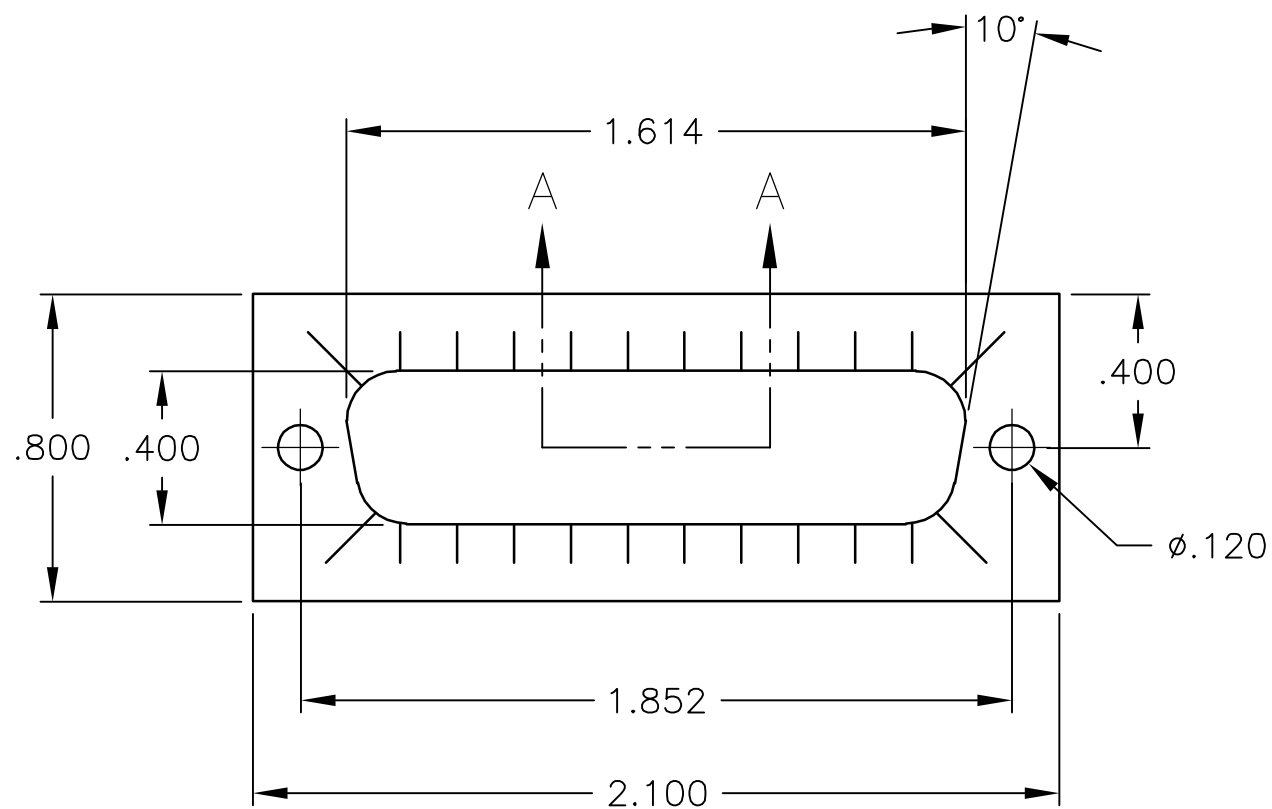
Email & Skype: info@chipsmall.com Web: www.chipsmall.com

Address: A1208, Overseas Decoration Building, #122 Zhenhua RD., Futian, Shenzhen, China

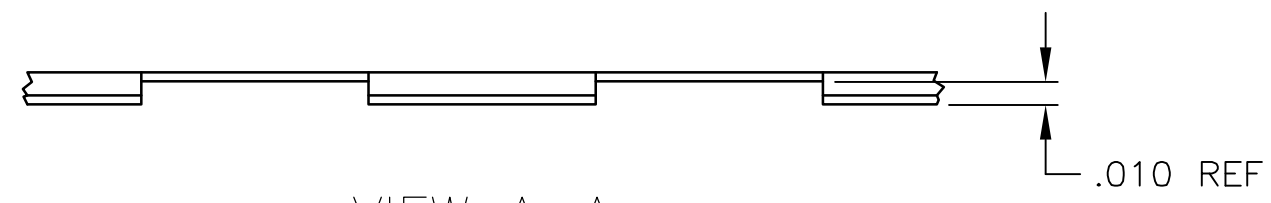


THIS DRAWING IS UNPUBLISHED. RELEASED FOR PUBLICATION  
 © COPYRIGHT BY TYCO ELECTRONICS CORPORATION. ALL RIGHTS RESERVED.

LOC	DIST	REVISIONS					
GP	00	P	LTR	DESCRIPTION	DATE	DWN	APVD
			B1	REVISED PER ECO-06-020813	30OCT06	JDP	CWR



- 1 BRIGHT TIN-LEAD OVER NICKEL.
- 2 TIN OVER NICKEL.



VIEW A-A  
SCALE 8:1

OBSOLETE	2	745776-4
	1	745776-3
	FINISH	PART NUMBER

THIS DRAWING IS A CONTROLLED DOCUMENT.		DWN J.GERACE 20FEB04	Tyco Electronics Corporation Harrisburg, Pa 17105-3608				
DIMENSIONS: INCHES		CHK S.SHUEY 20FEB04					
TOLERANCES UNLESS OTHERWISE SPECIFIED:		APVD M.WALMSLEY 20FEB04	NAME RFI GASKET, SIZE 3, AMPLIMITE				
0 PLC ± - 1 PLC ± - 2 PLC ± - 3 PLC ± .010 4 PLC ± - ANGLES ± 2'		PRODUCT SPEC -	-				
APPLICATION SPEC -		WEIGHT -	SIZE A3	CAGE CODE 00779	DRAWING NO C-745776	RESTRICTED TO -	
MATERIAL .006 THICK BRASS		FINISH SEE TABLE	CUSTOMER DRAWING		SCALE 2:1	SHEET 1 OF 1	REV B1