



Chipsmall Limited consists of a professional team with an average of over 10 year of expertise in the distribution of electronic components. Based in Hongkong, we have already established firm and mutual-benefit business relationships with customers from,Europe,America and south Asia,supplying obsolete and hard-to-find components to meet their specific needs.

With the principle of “Quality Parts,Customers Priority,Honest Operation,and Considerate Service”,our business mainly focus on the distribution of electronic components. Line cards we deal with include Microchip,ALPS,ROHM,Xilinx,Pulse,ON,Everlight and Freescale. Main products comprise IC,Modules,Potentiometer,IC Socket,Relay,Connector.Our parts cover such applications as commercial,industrial, and automotives areas.

We are looking forward to setting up business relationship with you and hope to provide you with the best service and solution. Let us make a better world for our industry!



Contact us

Tel: +86-755-8981 8866 Fax: +86-755-8427 6832

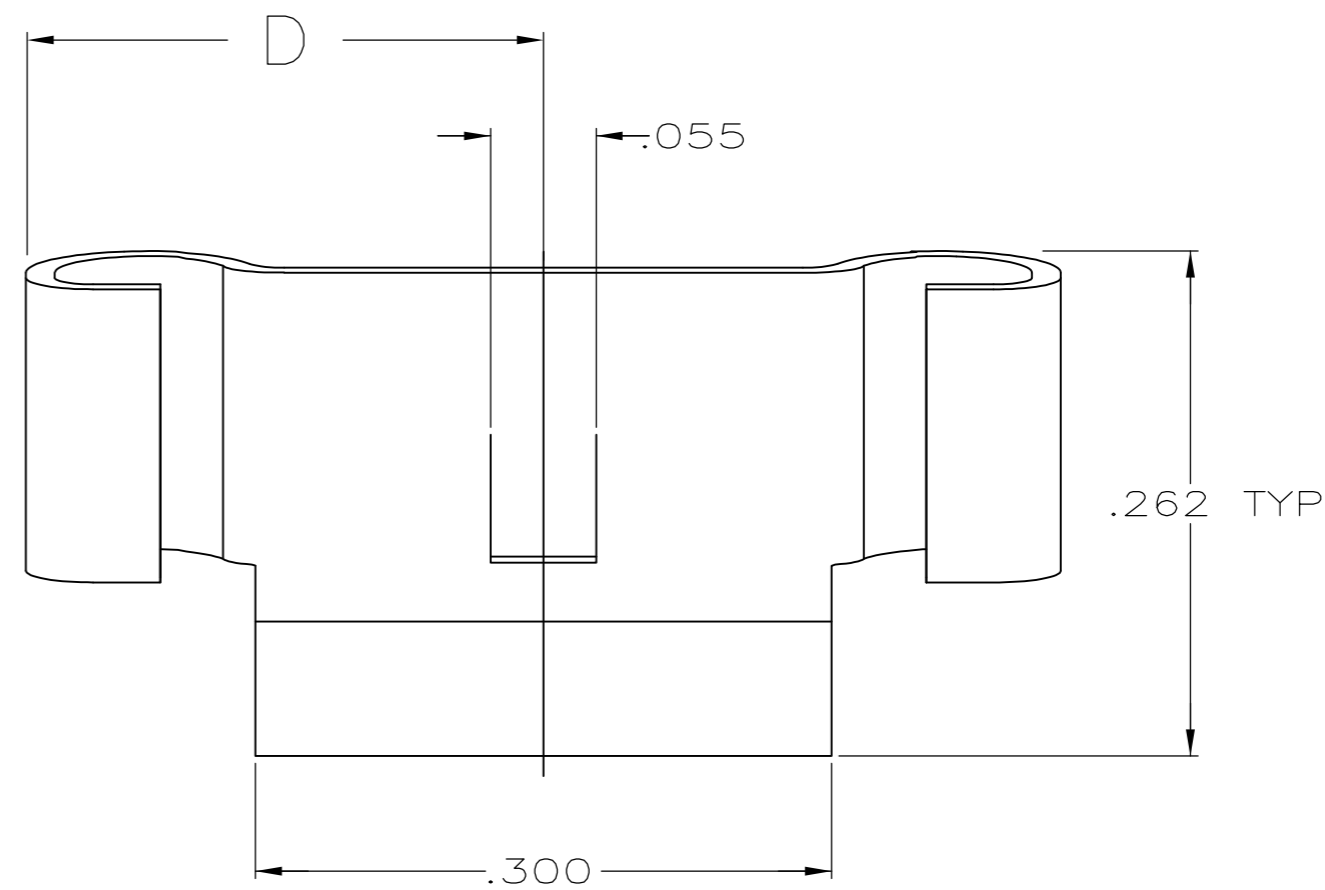
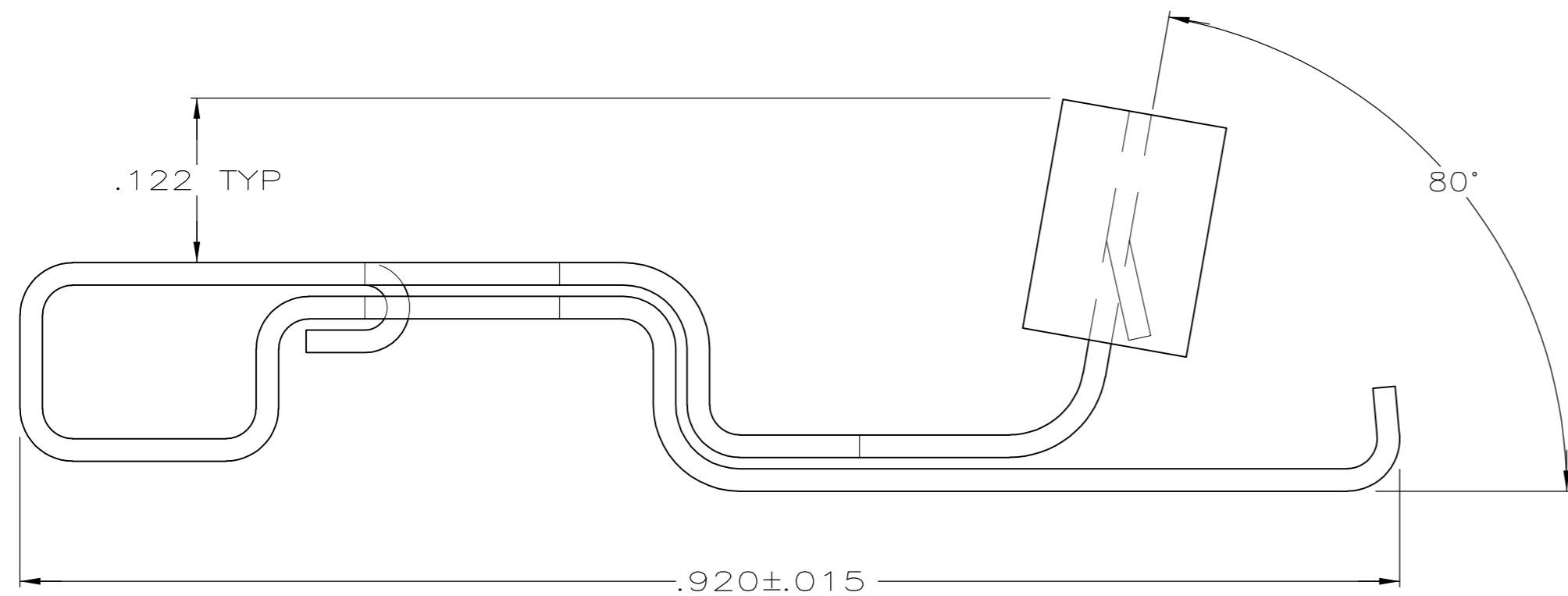
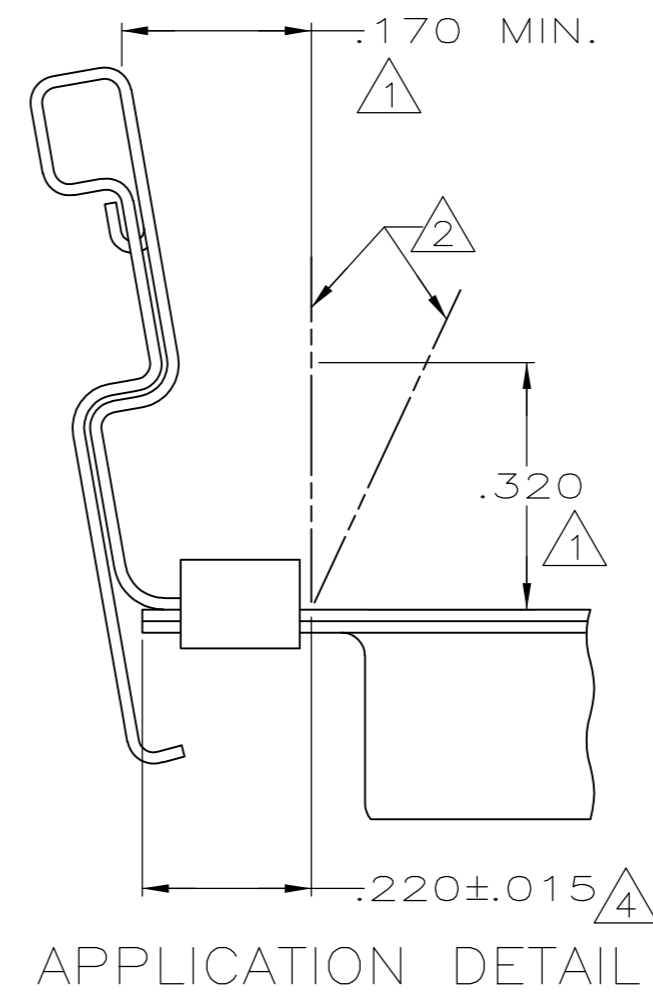
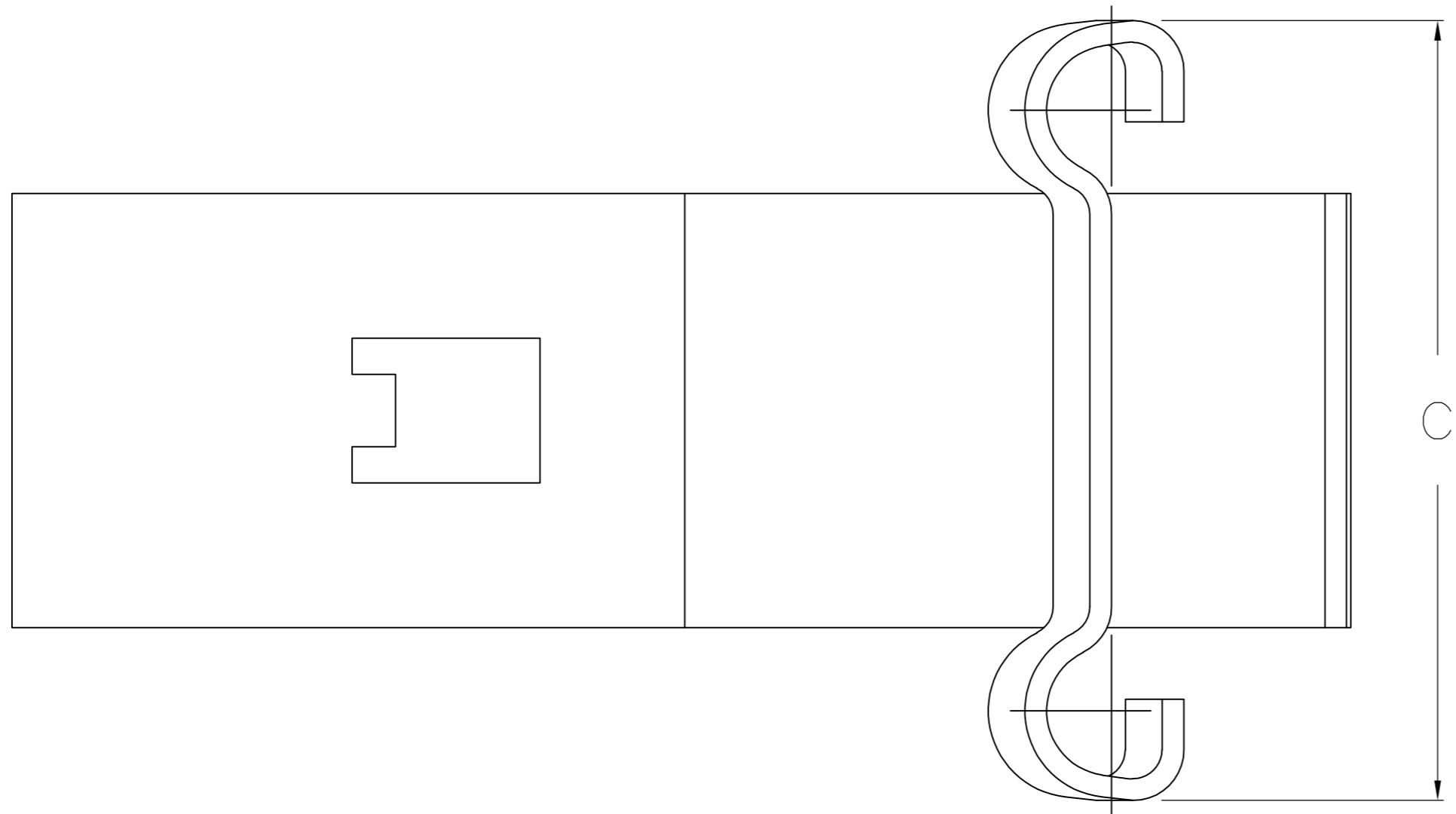
Email & Skype: info@chipsmall.com Web: www.chipsmall.com

Address: A1208, Overseas Decoration Building, #122 Zhenhua RD., Futian, Shenzhen, China



THIS DRAWING IS UNPUBLISHED. RELEASED FOR PUBLICATION
 © COPYRIGHT - By - ALL RIGHTS RESERVED.

LOC		DIST		REVISIONS					
BD		48		P	LTR	DESCRIPTION	DATE	DWN	APVD
				F1		REVISED PER ECO-11-004835	11MAR11	RK	HMR



- ⚠ FOR SATISFACTORY OPERATION THESE DIMENSIONS MUST BE MAINTAINED, .170 DIMENSION SHOULD BE MEASURED AT HEIGHT OF .320 MIN.
- ⚠ SPRING LATCH ACCOUNTS FOR DESIGN VARIATIONS IN THE ENVELOPE OF POST MOLDED STRAIN RELIEFS.
- ⚠ WHEN ORDERING SPRING LATCHES SPECIFY NUMBER OF CONNECTORS, QUANTITY SHIPPED WILL BE BASED ON 2 SPRING LATCHES REQUIRED PER CONNECTOR.
- ⚠ MEASURED FROM END OF CONNECTOR FLANGE TO END OF TAB ON SPRING LATCH.

OBSELETE	D	C	KIT PACKAGING	PART NO
	.325	.650	BULK ⚠	745779-6
	.325	.650	2 PIECE UNIT	745779-5
	.270	.540	BULK ⚠	745779-3
	.270	.540	2 PIECE UNIT	745779-2

THIS DRAWING IS A CONTROLLED DOCUMENT.		DWN	J.GERACE	02-24-83	 TE Connectivity
DIMENSIONS: INCHES		CHK	J.GERACE	02-24-83	
TOLERANCES UNLESS OTHERWISE SPECIFIED:		APVD	R.LEGGETT	02-24-83	
0 PLC ± - 1 PLC ± - 2 PLC ± - 3 PLC ± .010 4 PLC ± - ANGLES ± 3°		PRODUCT SPEC			
MATERIAL: STAINLESS STEEL		FINISH			NAME: SPRING LATCH, 2 PIECE, AMPLIMITE™
WEIGHT: -		SCALE	A2	00779	C=745779
CUSTOMER DRAWING		RESTRICTED TO			
SCALE: 10:1		SHEET	1	OF 1	REV: F1

745779