



Chipsmall Limited consists of a professional team with an average of over 10 year of expertise in the distribution of electronic components. Based in Hongkong, we have already established firm and mutual-benefit business relationships with customers from,Europe,America and south Asia,supplying obsolete and hard-to-find components to meet their specific needs.

With the principle of “Quality Parts,Customers Priority,Honest Operation,and Considerate Service”,our business mainly focus on the distribution of electronic components. Line cards we deal with include Microchip,ALPS,ROHM,Xilinx,Pulse,ON,Everlight and Freescale. Main products comprise IC,Modules,Potentiometer,IC Socket,Relay,Connector.Our parts cover such applications as commercial,industrial, and automotives areas.

We are looking forward to setting up business relationship with you and hope to provide you with the best service and solution. Let us make a better world for our industry!



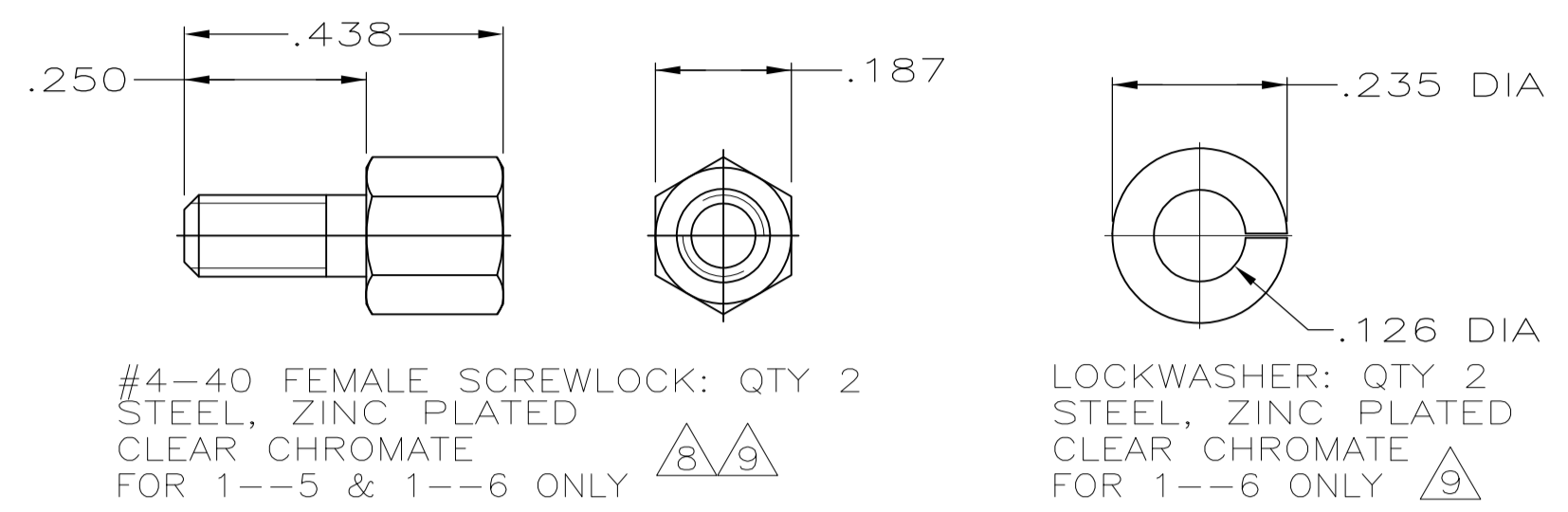
Contact us

Tel: +86-755-8981 8866 Fax: +86-755-8427 6832

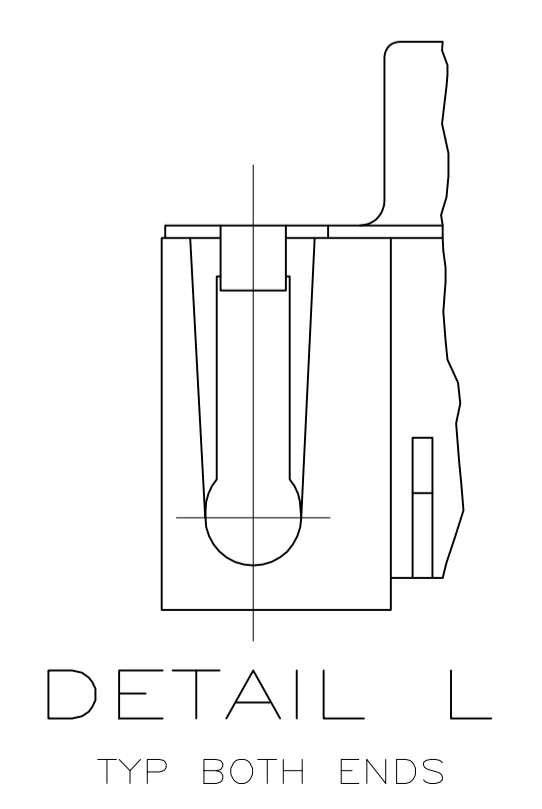
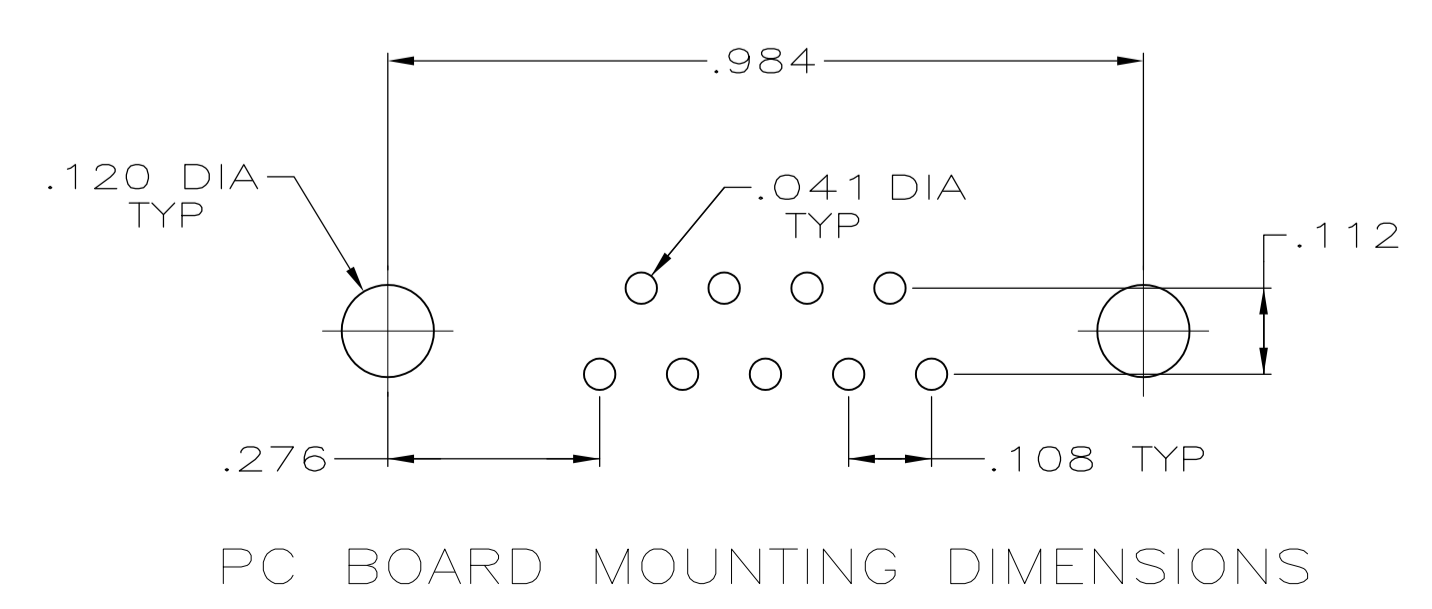
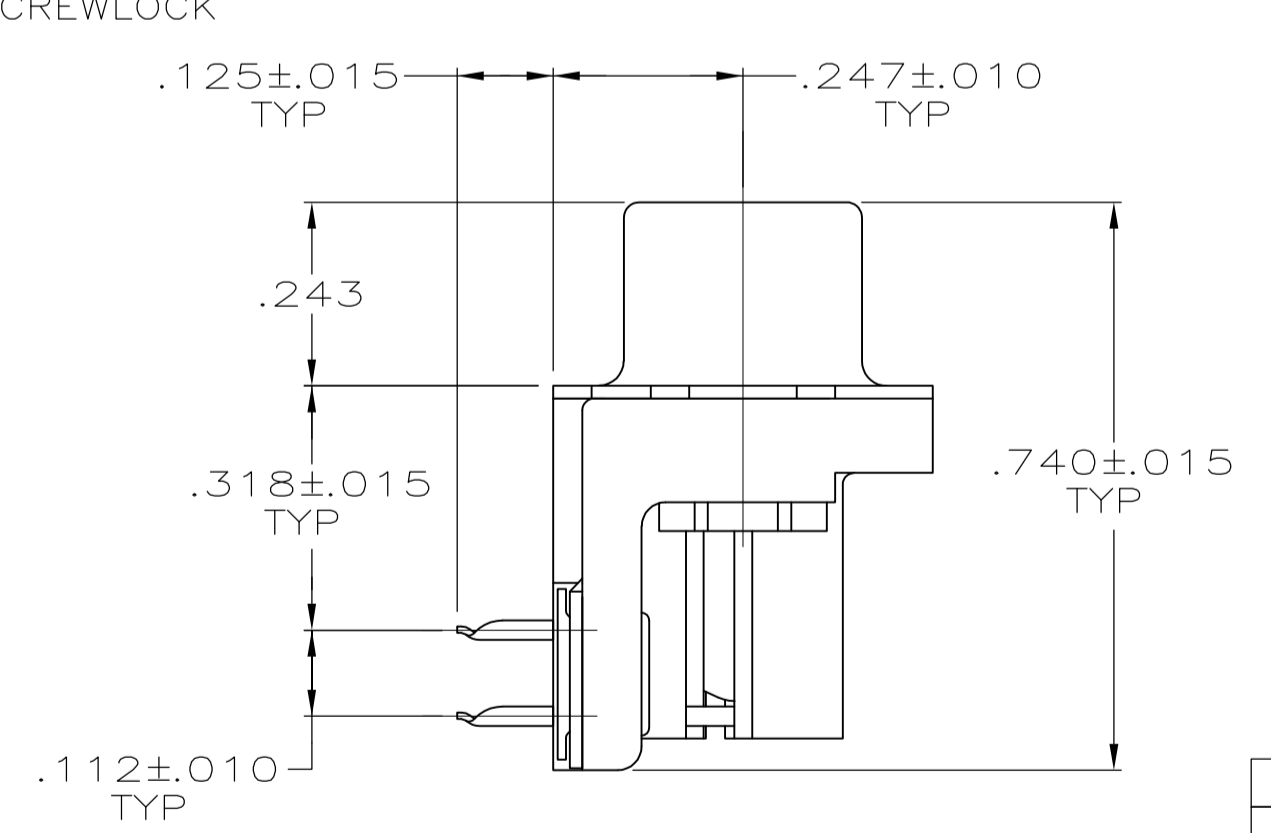
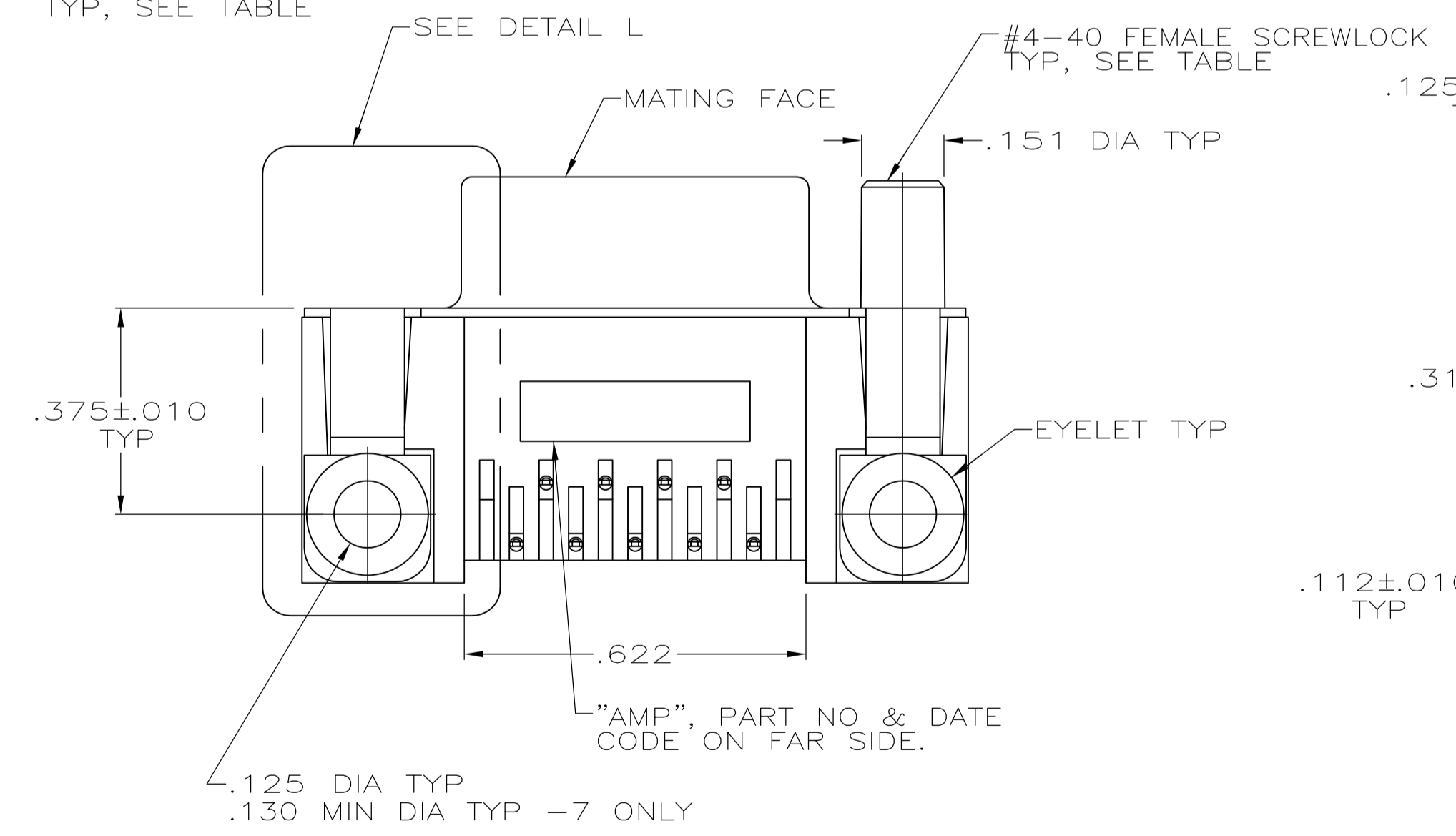
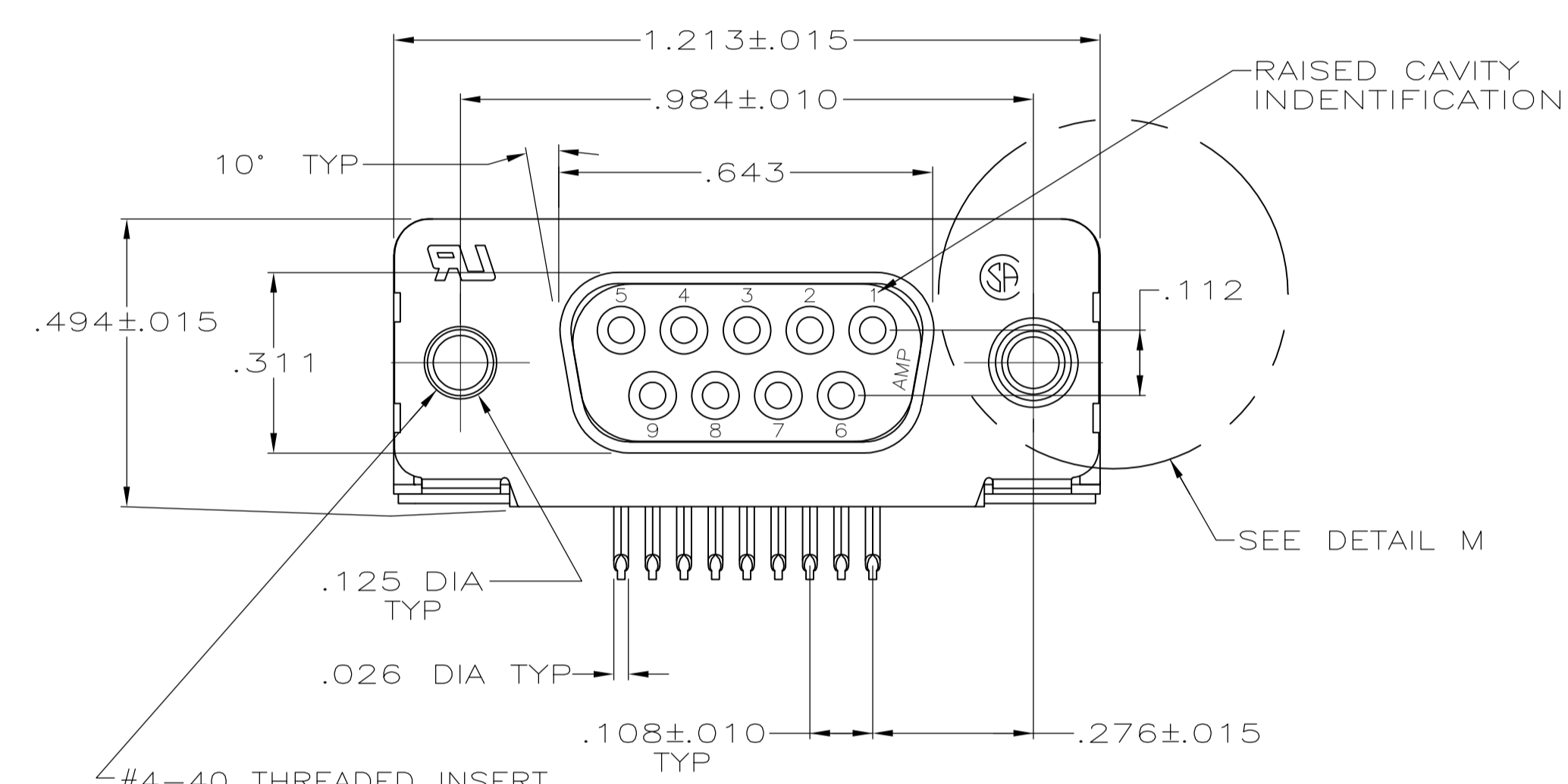
Email & Skype: info@chipsmall.com Web: www.chipsmall.com

Address: A1208, Overseas Decoration Building, #122 Zhenhua RD., Futian, Shenzhen, China





- CONNECTOR MATES WITH ANY 9 POSN PLUG IN AMPLIMITE™ SERIES & COMPLIES WITH AMP SPEC 108-40005 WHERE APPLICABLE.
- MOLDED PARTS: FLAME RETARDANT 94V-0 RATED THERMOPLASTIC, BLACK.
SHELL: STEEL PER ASTM A109
CONTACTS: PHOSPHOR BRONZE PER QQ-B-750
EYELETS: BRASS
SCREWLOCKS: ZINC
INSERTS: ZINC
- SHELL: TIN PLATED
CONTACTS: SEE TABLE
EYELETS: TIN PLATED
SCREWLOCKS: CLEAR CHROMATE
INSERTS: CLEAR CHROMATE
- GOLD PLATING PER MIL-G-45204, NICKEL PLATING PER QQ-N-290, TIN PER MIL-T-10727.
- GOLD FLASH FOR A DISTANCE OF .100 MIN FROM MATING END, TIN PLATED .000100-.000200 ON OPPOSITE END, ALL OVER .000050 NICKEL.
- .000030 GOLD FOR A DISTANCE OF .100 MIN FROM MATING END, TIN PLATED .000100-.000200 ON OPPOSITE END, ALL OVER .000050 NICKEL.
- .000015 MIN GOLD FOR A DISTANCE OF .100 MIN FROM MATING END, TIN PLATED .000100-.000200 ON OPPOSITE END, ALL OVER .000030 NICKEL.
- SCREWLOCKS REQUIRED FOR 1--5 CONNECTOR ASSEMBLIES WILL BE BULK PACKED & SHIPPED WITH CONNECTORS.
- SCREWLOCKS & LOCK WASHERS FOR 1--6 CONNECTOR ASSEMBLIES WILL BE BULK PACKED & SHIPPED WITH CONNECTORS.



OBSOLETE	THREADED INSERTS, SCREWLOCKS & LK WASH	GROUNDING STRAPS	6	1-745781-6
OBSOLETE	FEMALE SCREWLOCKS & THREADED INSERTS	GROUNDING STRAPS	5	1-745781-5
OBSOLETE	NONE	GROUNDING STRAPS	7	1-745781-4
OBSOLETE	FEMALE SCREWLOCKS	CLINCH TABS (SEE DETAIL L)	6	1-745781-3
OBSOLETE	FEMALE SCREWLOCKS	CLINCH TABS (SEE DETAIL L)	5	1-745781-2
SUPSD BY 745781-4	THREADED INSERTS	CLINCH TABS (SEE DETAIL L)	6	1-745781-1
SUPSD BY 745781-4	THREADED INSERTS	CLINCH TABS (SEE DETAIL L)	5	1-745781-0
OBSOLETE	NONE	CLINCH TABS (SEE DETAIL L)	6	745781-9
OBSOLETE	NONE	CLINCH TABS (SEE DETAIL L)	5	745781-8
OBSOLETE	FEMALE SCREWLOCKS	GROUNDING STRAPS	7	745781-7
OBSOLETE	FEMALE SCREWLOCKS	GROUNDING STRAPS	6	745781-6
SUPSD BY 745781-6	FEMALE SCREWLOCKS	GROUNDING STRAPS	5	745781-5
OBSOLETE	THREADED INSERTS	GROUNDING STRAPS	6	745781-4
OBSOLETE	THREADED INSERTS	GROUNDING STRAPS	5	745781-3
OBSOLETE	NONE	GROUNDING STRAPS	6	745781-2
SUPSD BY 745781-2	NONE	GROUNDING STRAPS	5	745781-1

MOUNTING HARDWARE		SHELL VERSION		CONTACT FINISH 4	PART NUMBER
THIS DRAWING IS A CONTROLLED DOCUMENT.		BIN J GALLUCCI BG 1-23-91		STE TE Connectivity	
DIMENSIONS: INCHES		TOLERANCES UNLESS OTHERWISE SPECIFIED:		RCPT ASSY, SIZE 1, 9 POSN, RTANG, AMPLIMITE™	
0 PLC ± -		1 PLC ± -		RCPT ASSY, SIZE 1, 9 POSN, RTANG, AMPLIMITE™	
1 PLC ± -		2 PLC ± -		RCPT ASSY, SIZE 1, 9 POSN, RTANG, AMPLIMITE™	
2 PLC ± -		3 PLC ± .005		RCPT ASSY, SIZE 1, 9 POSN, RTANG, AMPLIMITE™	
3 PLC ± -		4 PLC ± -		RCPT ASSY, SIZE 1, 9 POSN, RTANG, AMPLIMITE™	
4 PLC ± -		ANGLES ± ± °		RCPT ASSY, SIZE 1, 9 POSN, RTANG, AMPLIMITE™	
MATERIAL 2		FINISH 3		RCPT ASSY, SIZE 1, 9 POSN, RTANG, AMPLIMITE™	
APVD R STONE 4-26-91		NAME J.W. YOUNG 4-26-91		RCPT ASSY, SIZE 1, 9 POSN, RTANG, AMPLIMITE™	
APVD J.W. YOUNG 4-26-91		NAME		RCPT ASSY, SIZE 1, 9 POSN, RTANG, AMPLIMITE™	
PRODUCT SPEC 108-40025		APPLICATION SPEC 114-40010		RCPT ASSY, SIZE 1, 9 POSN, RTANG, AMPLIMITE™	
SIZE A1		CASE CODE 00779		RCPT ASSY, SIZE 1, 9 POSN, RTANG, AMPLIMITE™	
DRAWING NO. 745781		RESTRICTED TO		RCPT ASSY, SIZE 1, 9 POSN, RTANG, AMPLIMITE™	
WEIGHT		SCALE 4:1		RCPT ASSY, SIZE 1, 9 POSN, RTANG, AMPLIMITE™	
CUSTOMER DRAWING		SHEET 1 OF 1		RCPT ASSY, SIZE 1, 9 POSN, RTANG, AMPLIMITE™	
REV AC1		REV		RCPT ASSY, SIZE 1, 9 POSN, RTANG, AMPLIMITE™	