



Chipsmall Limited consists of a professional team with an average of over 10 year of expertise in the distribution of electronic components. Based in Hongkong, we have already established firm and mutual-benefit business relationships with customers from,Europe,America and south Asia,supplying obsolete and hard-to-find components to meet their specific needs.

With the principle of "Quality Parts,Customers Priority,Honest Operation,and Considerate Service",our business mainly focus on the distribution of electronic components. Line cards we deal with include Microchip,ALPS,ROHM,Xilinx,Pulse,ON,Everlight and Freescale. Main products comprise IC,Modules,Potentiometer,IC Socket,Relay,Connector.Our parts cover such applications as commercial,industrial, and automotives areas.

We are looking forward to setting up business relationship with you and hope to provide you with the best service and solution. Let us make a better world for our industry!



Contact us

Tel: +86-755-8981 8866 Fax: +86-755-8427 6832

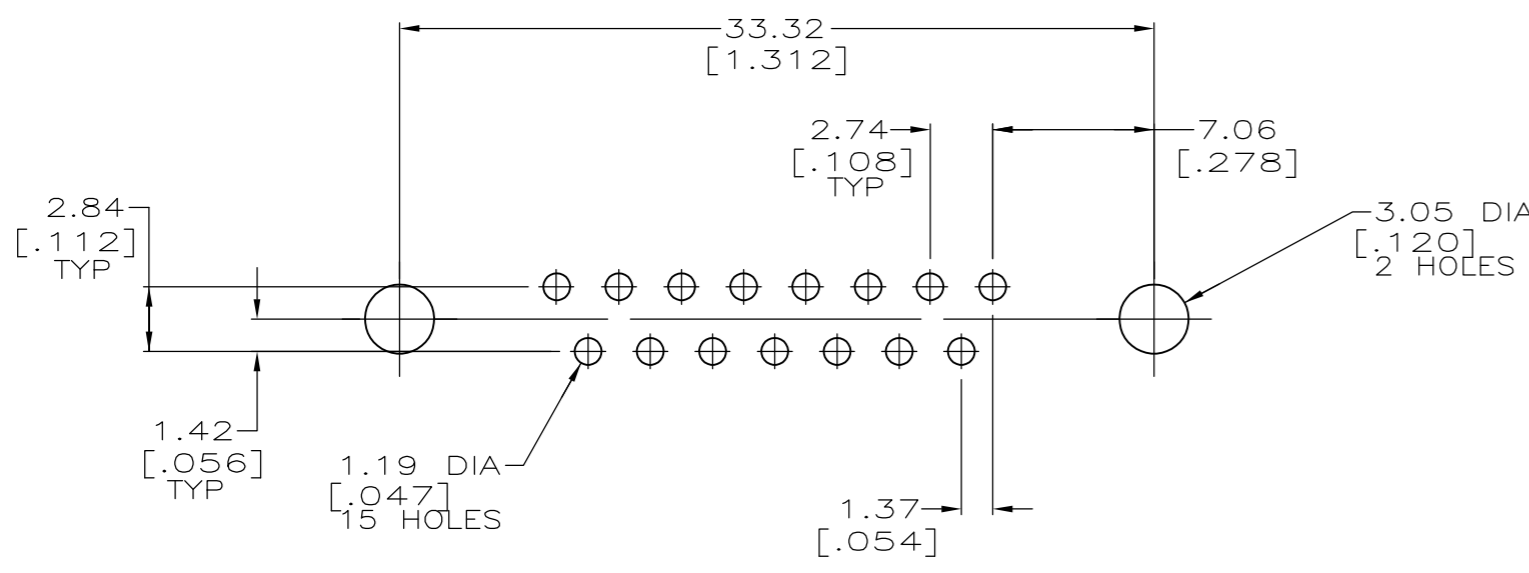
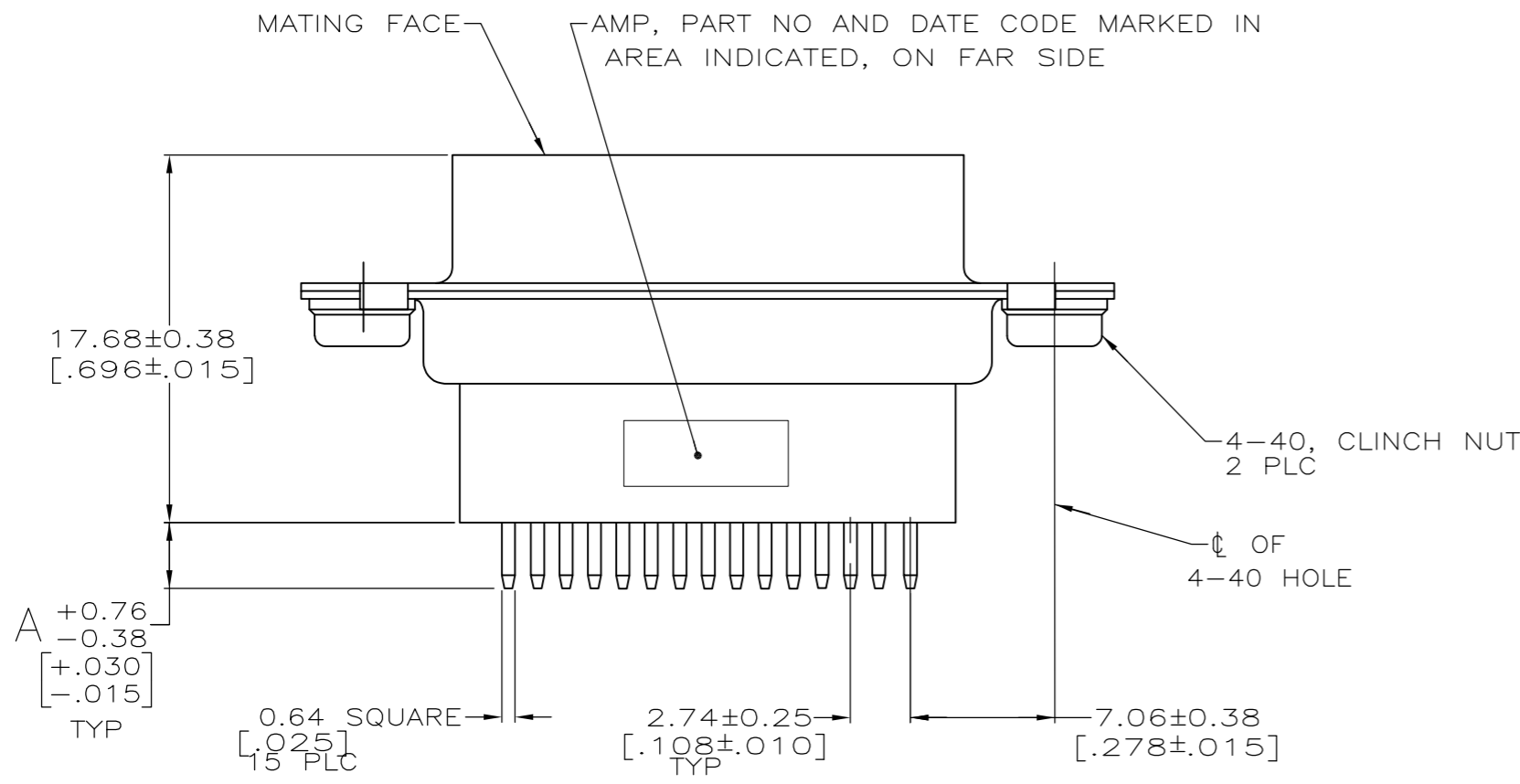
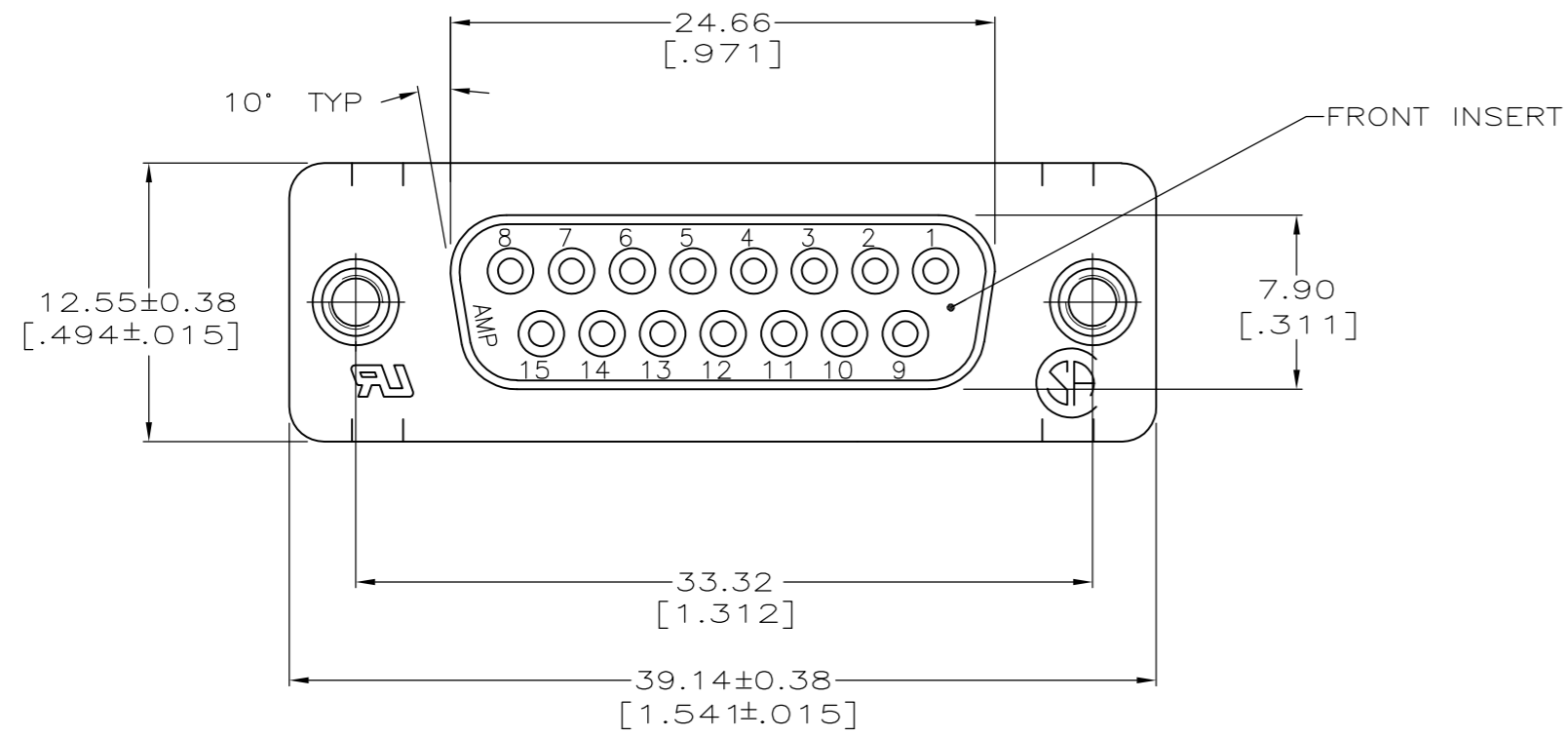
Email & Skype: info@chipsmall.com Web: www.chipsmall.com

Address: A1208, Overseas Decoration Building, #122 Zhenhua RD., Futian, Shenzhen, China



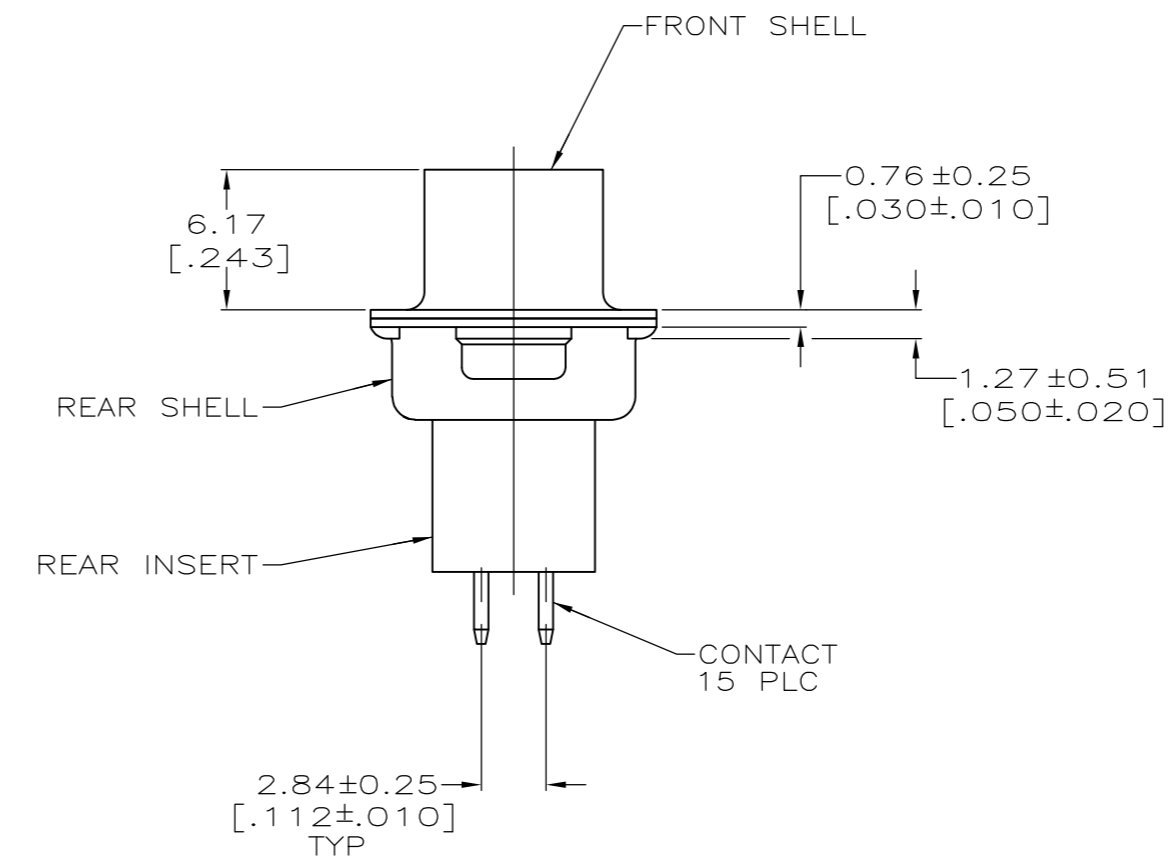
THIS DRAWING IS UNPUBLISHED. RELEASED FOR PUBLICATION
 © COPYRIGHT - By - ALL RIGHTS RESERVED.

LOC		DIST		REVISIONS					
GP		00		P	LTR	DESCRIPTION	DATE	DWN	APVD
				L		REVISED PER ECO-14-011808	12AUG2014	AP	SB



RECOMMENDED PC BOARD MOUNTING DIMENSIONS

- ① HOUSING: GLASS-FILLED PBT OR GLASS-FILLED NYLON, UL94V-0 RATED. COLOR: BLACK.
 CONTACTS: PHOSPHOR BRONZE
 SHELLS: CARBON STEEL
 CLINCH NUT: CARBON STEEL
- ② GOLD FLASH FOR LENGTH OF 2.54 [.100] MIN FROM MATING END, 2.54µm [.000100] MIN TIN OR TIN-LEAD FOR A LENGTH OF DIMENSION A FROM OPPOSITE END, BOTH OVER 1.27µm [.000050] MIN NICKEL.
- ③ 0.76µm [.000030] MIN GOLD FOR LENGTH OF 2.54 [.100] MIN FROM MATING END, 2.54µm [.000100] MIN TIN OR TIN-LEAD FOR A LENGTH OF DIMENSION A FROM OPPOSITE END, BOTH OVER 1.27µm [.000050] MIN NICKEL.
 -OR-
 GOLD FLASH OVER PALLADIUM-NICKEL, 0.76µm [.000030] MIN TOTAL, FOR A LENGTH OF 2.54 [.100] MIN FROM MATING END, 2.54µm [.000100] MIN TIN OR TIN-LEAD FOR A LENGTH OF DIMENSION A FROM OPPOSITE END, BOTH OVER 1.27µm [.000050] MIN NICKEL.
- ④ SHELLS: 5.08µm [.000200] MIN TIN OVER 2.54µm [.000100] MIN COPPER
 CLINCH NUT: ZINC



SUPSD BY 745820-1	4.78 [.188]	②	745820-8
OBSOLETE	4.78 [.188]	③	745820-7
OBSOLETE	16.54 [.651]	②	745820-6
OBSOLETE	16.54 [.651]	③	745820-5
SUPSD BY 745820-1	10.85 [.427]	②	745820-4
SUPSD BY 745820-1	10.85 [.427]	③	745820-3
	3.18 [.125]	②	745820-2
	3.18 [.125]	③	745820-1
	DIMENSION A		
		CONTACT FINISH	PART NUMBER

THIS DRAWING IS A CONTROLLED DOCUMENT.		DWN	J.McCLINTON	12-05-89	 TE Connectivity RECEPTACLE ASSEMBLY, SIZE 2, 15 POSN, VERTICAL, FRONT METAL SHELL, AMPLIMITE® HD-20
DIMENSIONS: mm [INCHES]		CHK	R.STONE	02-01-90	
TOLERANCES UNLESS OTHERWISE SPECIFIED:		APVD	C. ROHDE	2-02-90	
0 PLC ± - 1 PLC ± - 2 PLC ± 0.13 [.005] 3 PLC ± - 4 PLC ± - ANGLES ± 2°		PRODUCT SPEC	108-40025	APPLICATION SPEC	
MATERIAL	FINISH	WEIGHT	114-40013	SIZE	A2
	CONTACTS: SEE TABLE	CUSTOMER DRAWING		CAGE CODE	00779
				DRAWING NO	C=745820
				RESTRICTED TO	-
				SCALE	NTS
				SHEET	1 OF 1
				REV	L