



Chipsmall Limited consists of a professional team with an average of over 10 year of expertise in the distribution of electronic components. Based in Hongkong, we have already established firm and mutual-benefit business relationships with customers from,Europe,America and south Asia,supplying obsolete and hard-to-find components to meet their specific needs.

With the principle of “Quality Parts,Customers Priority,Honest Operation,and Considerate Service”,our business mainly focus on the distribution of electronic components. Line cards we deal with include Microchip,ALPS,ROHM,Xilinx,Pulse,ON,Everlight and Freescale. Main products comprise IC,Modules,Potentiometer,IC Socket,Relay,Connector.Our parts cover such applications as commercial,industrial, and automotives areas.

We are looking forward to setting up business relationship with you and hope to provide you with the best service and solution. Let us make a better world for our industry!



## Contact us

Tel: +86-755-8981 8866 Fax: +86-755-8427 6832

Email & Skype: info@chipsmall.com Web: www.chipsmall.com

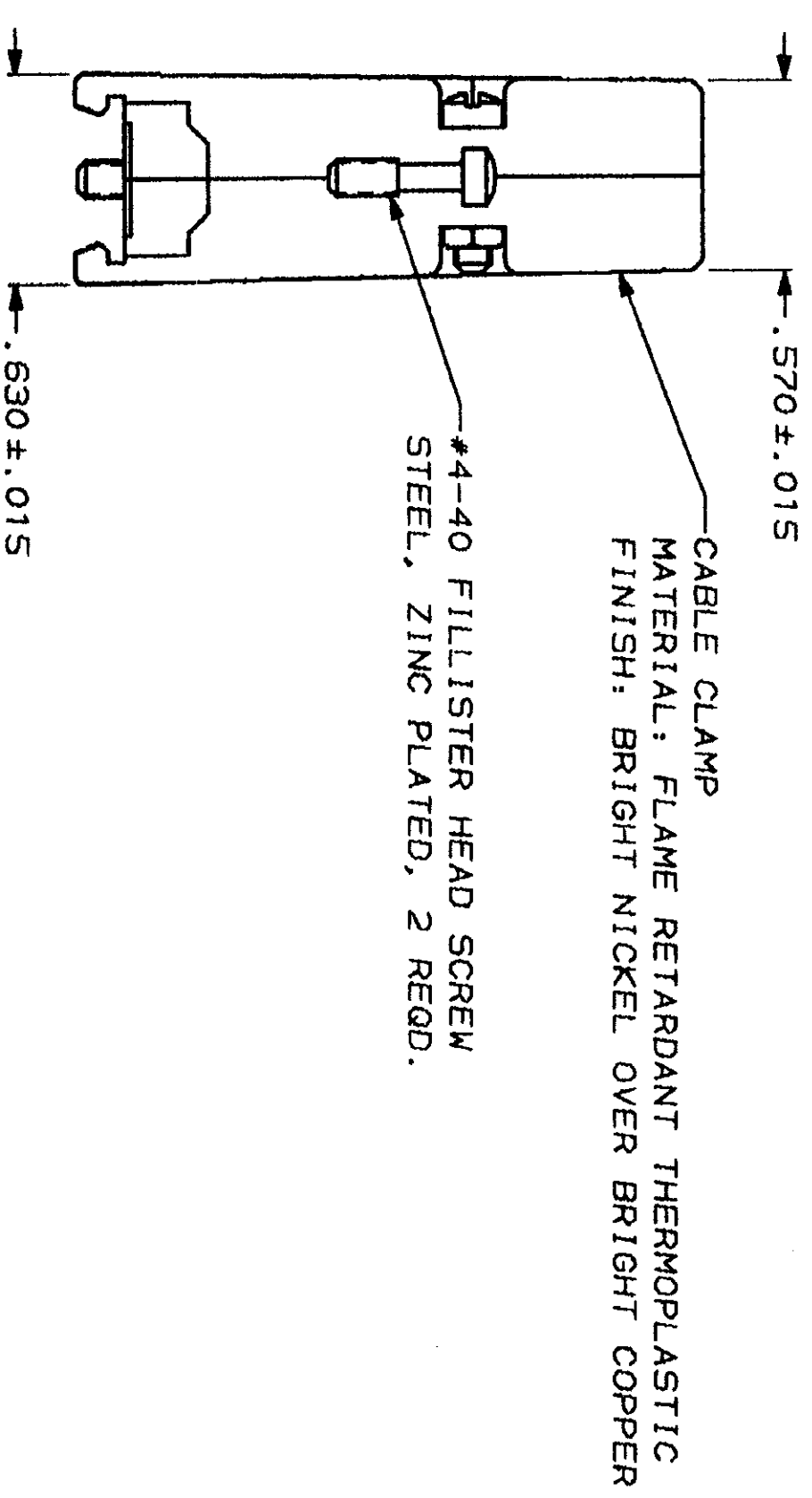
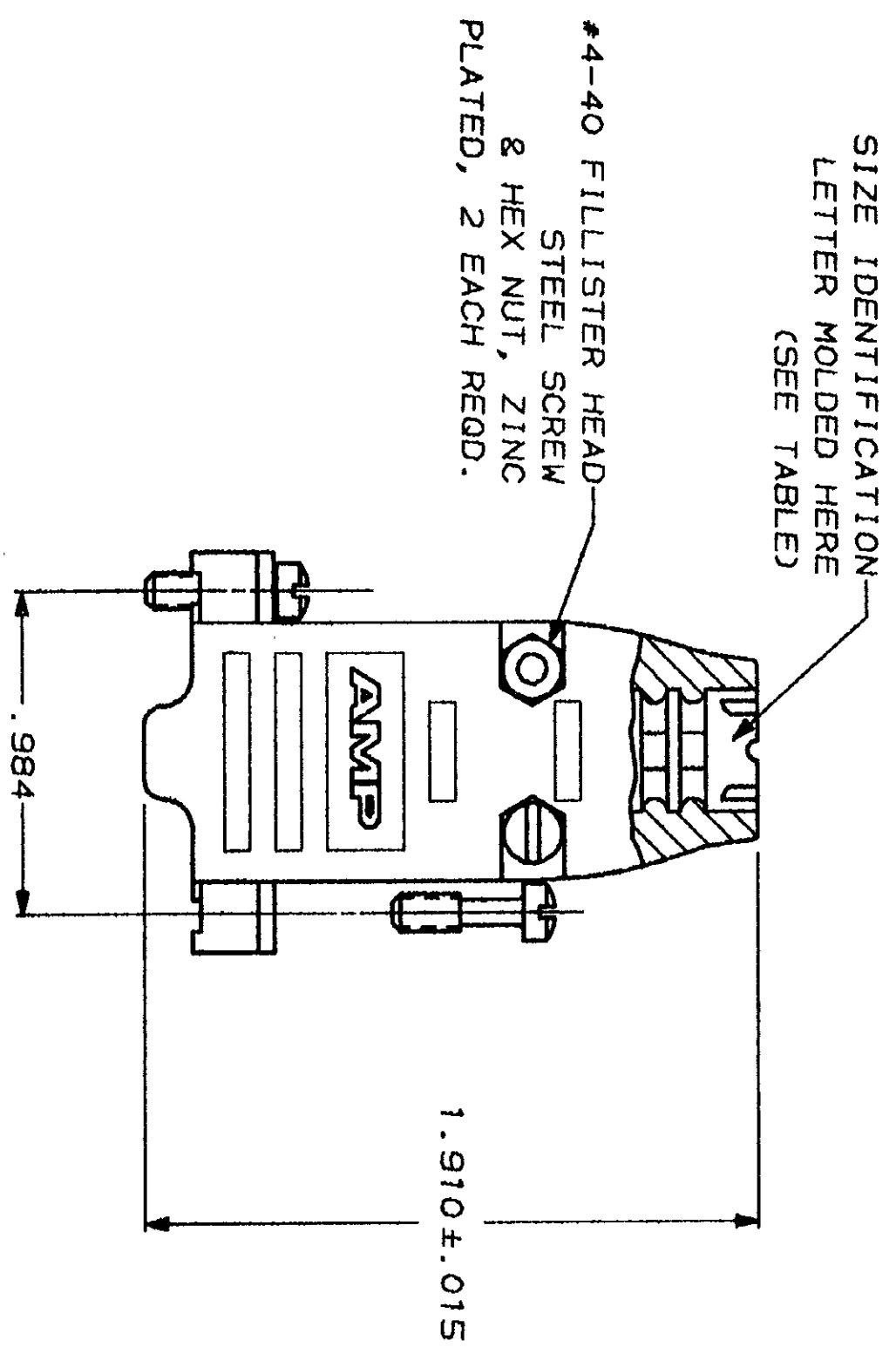
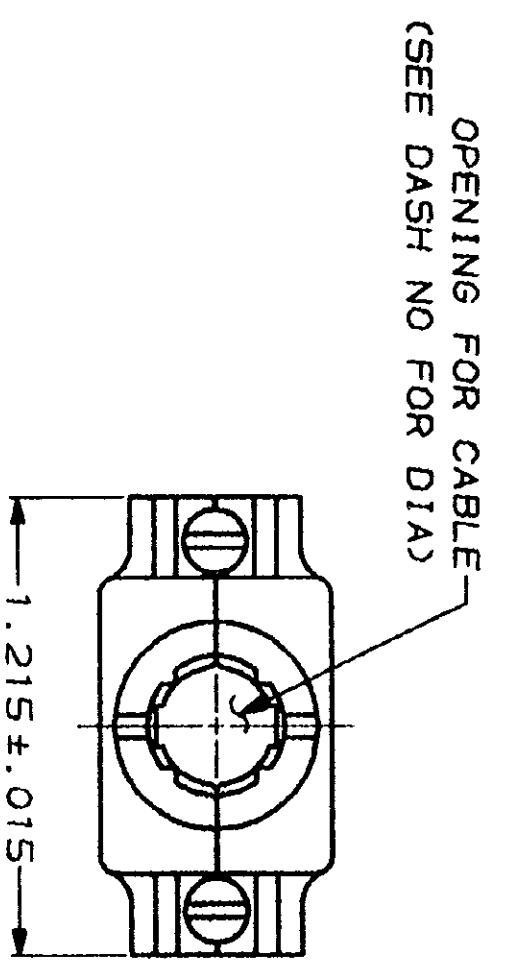
Address: A1208, Overseas Decoration Building, #122 Zhenhua RD., Futian, Shenzhen, China



REV	DATE	APPR	DESCRIPTION
1	5-18-80		
2	11/29/80	FWL	

REV	DATE	APPR	DESCRIPTION
1	5-18-80		
2	11/29/80	FWL	



- 1 ALL PARTS PACKAGED UNASSEMBLED.
- 2 AS SHOWN ABOVE, THIS KIT CONSISTS OF 2 STRAIN RELIEF HALVES, 2 #4-40 SCREWS, 2 #4-40 NUTS & 2 #4-40 MOUNTING SCREWS.
- 3 SAME AS SHOWN, EXCEPT: EACH PART IS INDIVIDUALLY BULK PACKED FOR MULTIPLE KIT ORDERS.
- 4 OBSOLETE

REMARKS	SIZE IDENT LETTER	CABLE DIA	BULK PACKED KIT NO	INDIVIDUAL KIT NO
1	A	.200	745854-6	745854-5
	C	.250	745854-4	745854-3
	H	.370	745854-2	745854-1

DO NOT SCALE PRINT. UNLESS SPECIFIED DIMENSIONS IN INCHES TOLERANCES ON: 2 PLC DEC # .005 3 PLC DEC # .005 ANGLES #		DR 5-16-90 J GALLUCCI BS	
FINISH SEE CALLOUT		CHK 9-10-90 J McCLINTON	
MATERIAL SEE CALLOUT		APPD 9-10-90 J WESTMAN	
APPLICATION SPEC		APPD 9-11-90 J ASSINI	
WEIGHT		PRODUCT SPEC	
SCALE 2:1		NAME AMP INCORPORATED AMP INCORPORATED Harrisburg, Pa. 17105	
DRAWING NO 745854		CABLE CLAMP KIT, SIZE 1, 9 POSN, 180°, PLATED PLASTIC, AMPLIMITE™	
SHEET 1 OF 1		FSCM NO 00779	

CUSTOMER DRAWING