



Chipsmall Limited consists of a professional team with an average of over 10 year of expertise in the distribution of electronic components. Based in Hongkong, we have already established firm and mutual-benefit business relationships with customers from,Europe,America and south Asia,supplying obsolete and hard-to-find components to meet their specific needs.

With the principle of “Quality Parts,Customers Priority,Honest Operation,and Considerate Service”,our business mainly focus on the distribution of electronic components. Line cards we deal with include Microchip,ALPS,ROHM,Xilinx,Pulse,ON,Everlight and Freescale. Main products comprise IC,Modules,Potentiometer,IC Socket,Relay,Connector.Our parts cover such applications as commercial,industrial, and automotives areas.

We are looking forward to setting up business relationship with you and hope to provide you with the best service and solution. Let us make a better world for our industry!



## Contact us

Tel: +86-755-8981 8866 Fax: +86-755-8427 6832

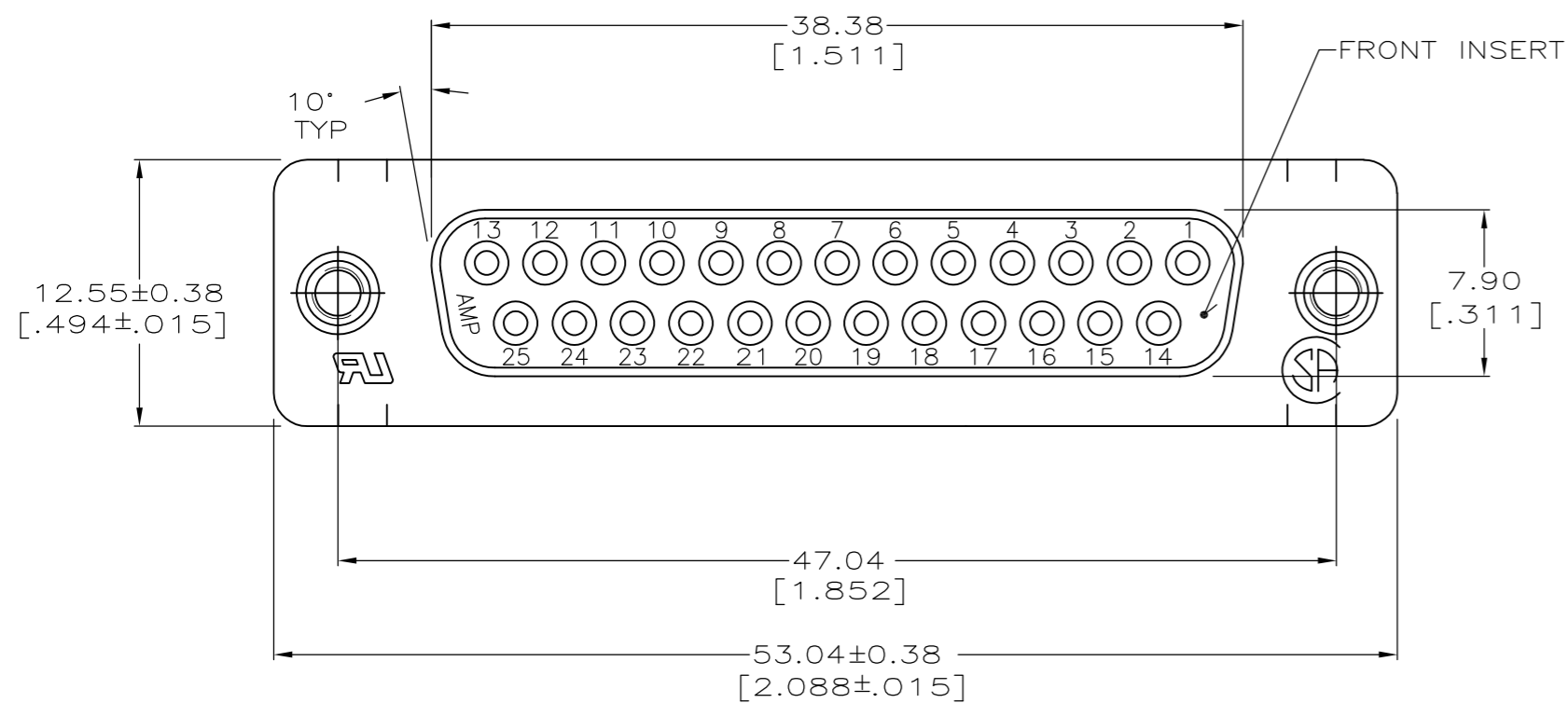
Email & Skype: info@chipsmall.com Web: www.chipsmall.com

Address: A1208, Overseas Decoration Building, #122 Zhenhua RD., Futian, Shenzhen, China

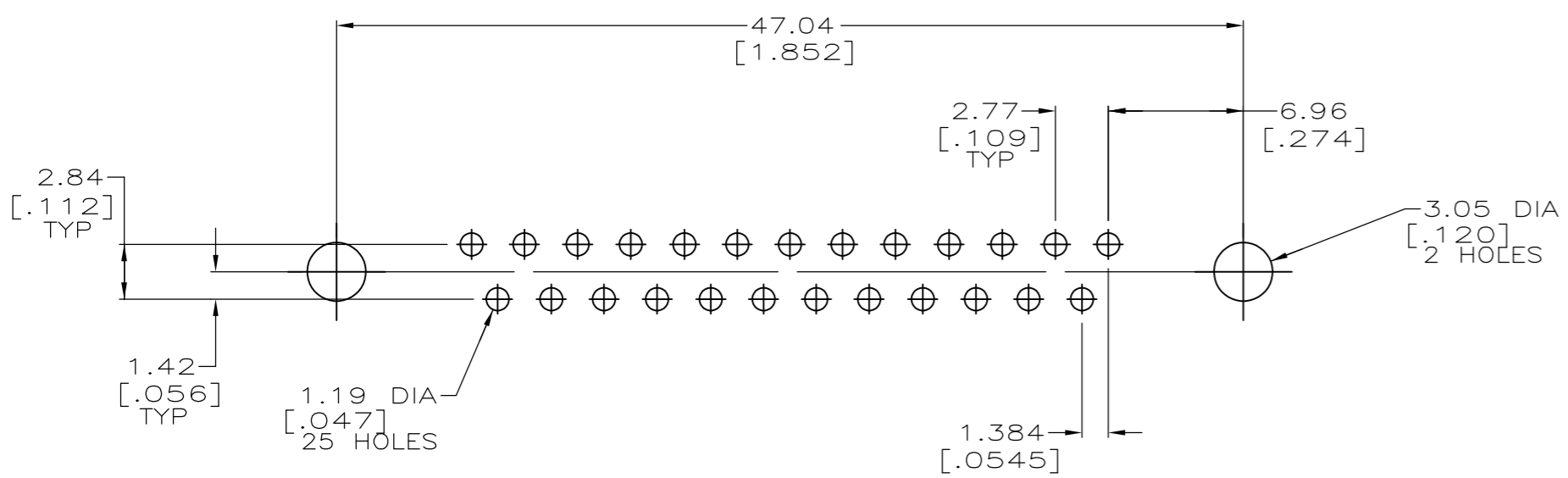
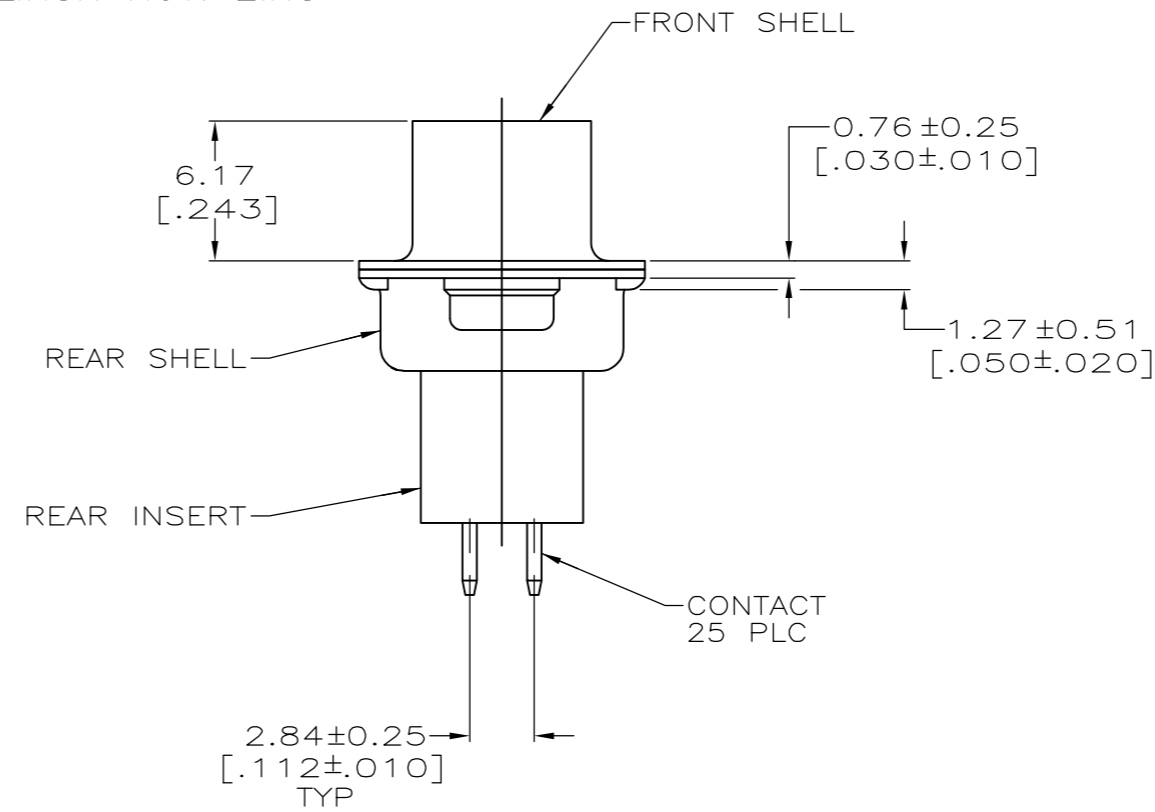
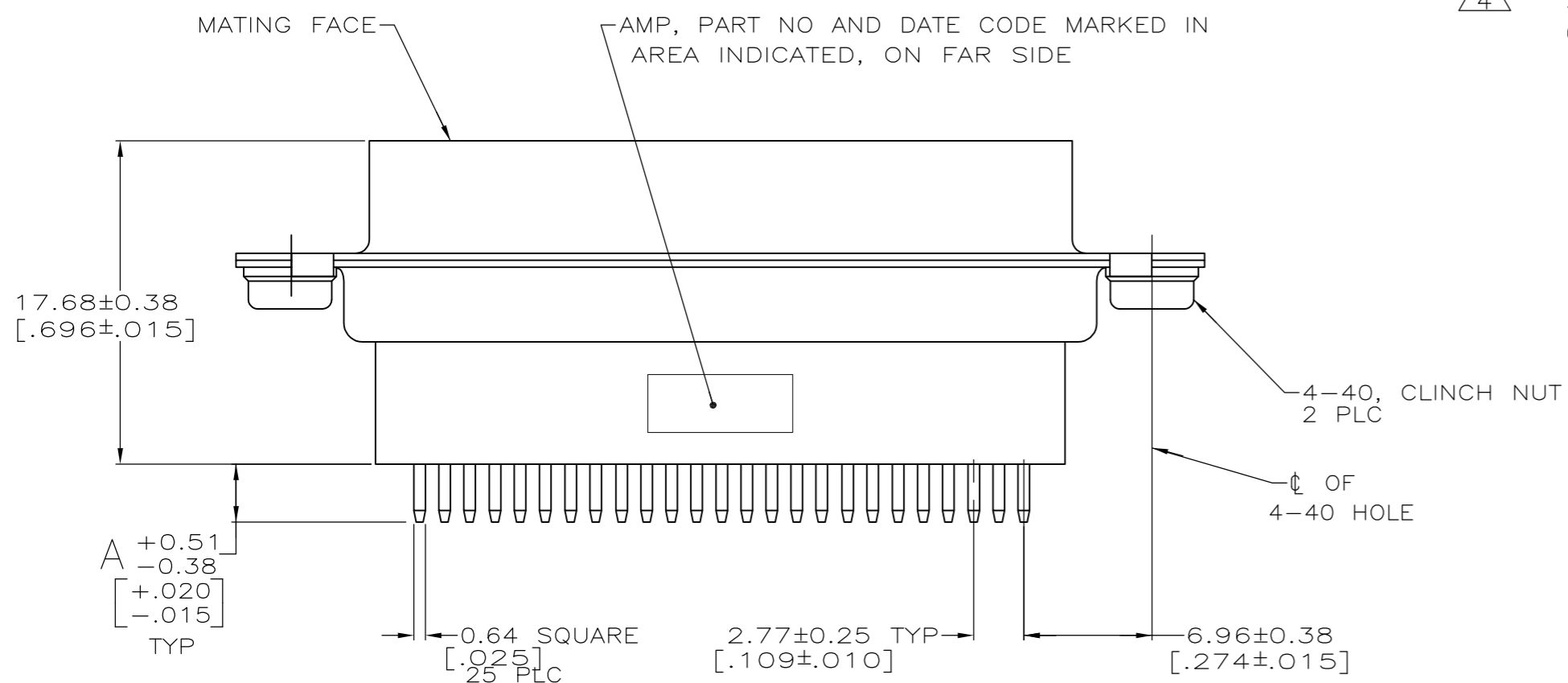


THIS DRAWING IS UNPUBLISHED. RELEASED FOR PUBLICATION  
 © COPYRIGHT - By - ALL RIGHTS RESERVED.

LOC		DIST		REVISIONS			
GP	00	P	LTR	DESCRIPTION	DATE	DWN	APVD
		U		REVISED PER ECO-14-011808	12AUG2014	AP	SB



- 1 INSERTS: GLASS-FILLED PBT OR GLASS-FILLED NYLON, UL94V-0 RATED. COLOR: BLACK.  
CONTACTS: PHOSPHOR BRONZE  
SHELLS: CARBON STEEL  
CLINCH NUT: CARBON STEEL
- 2 GOLD FLASH FOR LENGTH OF 2.54 [.100] MIN FROM MATING END, 2.54µm [.000100] MIN TIN OR TIN-LEAD FOR A LENGTH OF DIMENSION A FROM OPPOSITE END, BOTH OVER 1.27µm [.000050] MIN NICKEL.
- 3 0.76µm [.000030] MIN GOLD FOR LENGTH OF 2.54 [.100] MIN FROM MATING END, 2.54µm [.000100] MIN TIN OR TIN-LEAD FOR A LENGTH OF DIMENSION A FROM OPPOSITE END, BOTH OVER 1.27µm [.000050] MIN NICKEL.  
-OR-  
GOLD FLASH OVER PALLADIUM-NICKEL, 0.76µm [.000030] MIN TOTAL FOR A LENGTH OF 2.54 [.100] MIN FROM MATING END, 2.54µm [.000100] MIN TIN OR TIN-LEAD FOR A LENGTH OF DIMENSION A FROM OPPOSITE END, BOTH OVER 1.27µm [.000050] MIN NICKEL.
- 4 SHELLS: 5.08µm [.000200] MIN TIN OVER 2.54µm [.000100] MIN COPPER  
CLINCH NUT: ZINC



RECOMMENDED PC BOARD MOUNTING DIMENSIONS

	OBSOLETE	3.18 [.125]	3		745886-9
	SUPSD BY 745886-1	4.78 [.188]	3	2	745886-8
	SUPSD BY 745886-1	4.78 [.188]	3		745886-7
	OBSOLETE	16.54 [.651]	3	2	745886-6
	OBSOLETE	16.54 [.651]	3		745886-5
	OBSOLETE	10.85 [.427]	3	2	745886-4
	OBSOLETE	10.85 [.427]	3		745886-3
		3.18 [.125]	3	2	745886-2
		3.18 [.125]	3		745886-1
		DIMENSION A			
				CONTACT FINISH	
					PART NUMBER

THIS DRAWING IS A CONTROLLED DOCUMENT.		DWN J McCLINTON 12-5-89															
		CHK R. STONE 2-1-90															
DIMENSIONS: mm [INCHES]		TOLERANCES UNLESS OTHERWISE SPECIFIED:	NAME														
<table border="1"> <tr><td>0 PLC</td><td>± -</td></tr> <tr><td>1 PLC</td><td>± -</td></tr> <tr><td>2 PLC</td><td>± 0.13 [.005]</td></tr> <tr><td>3 PLC</td><td>± -</td></tr> <tr><td>4 PLC</td><td>± -</td></tr> <tr><td>ANGLES</td><td>± -</td></tr> </table>		0 PLC	± -	1 PLC	± -	2 PLC	± 0.13 [.005]	3 PLC	± -	4 PLC	± -	ANGLES	± -	PRODUCT SPEC 108-40025	RECEPTACLE ASSEMBLY, SIZE 3, 25 POSN, VERTICAL, FULL METAL SHELL, AMPLIMITE® HD-20		
0 PLC	± -																
1 PLC	± -																
2 PLC	± 0.13 [.005]																
3 PLC	± -																
4 PLC	± -																
ANGLES	± -																
MATERIAL 1		FINISH 4	APPLICATION SPEC 114-40013	SIZE A2	CAGE CODE 00779												
		CONTACTS: SEE TABLE	WEIGHT -	DRAWING NO C=745886	RESTRICTED TO -												
			CUSTOMER DRAWING	SCALE 3:1	SHEET 1 OF 1												
				REV U													