



Chipsmall Limited consists of a professional team with an average of over 10 year of expertise in the distribution of electronic components. Based in Hongkong, we have already established firm and mutual-benefit business relationships with customers from,Europe,America and south Asia,supplying obsolete and hard-to-find components to meet their specific needs.

With the principle of “Quality Parts,Customers Priority,Honest Operation,and Considerate Service”,our business mainly focus on the distribution of electronic components. Line cards we deal with include Microchip,ALPS,ROHM,Xilinx,Pulse,ON,Everlight and Freescale. Main products comprise IC,Modules,Potentiometer,IC Socket,Relay,Connector.Our parts cover such applications as commercial,industrial, and automotives areas.

We are looking forward to setting up business relationship with you and hope to provide you with the best service and solution. Let us make a better world for our industry!



Contact us

Tel: +86-755-8981 8866 Fax: +86-755-8427 6832

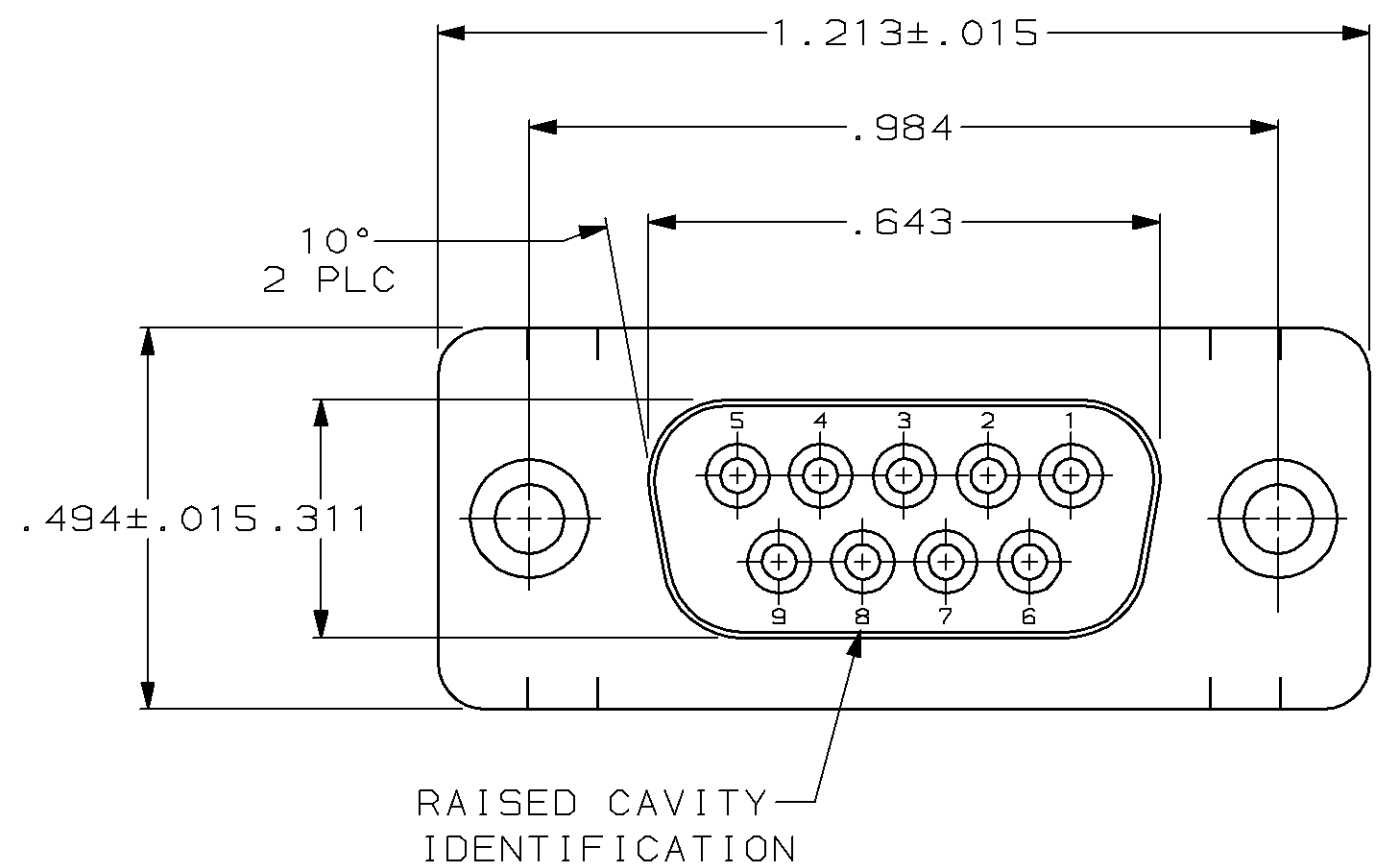
Email & Skype: info@chipsmall.com Web: www.chipsmall.com

Address: A1208, Overseas Decoration Building, #122 Zhenhua RD., Futian, Shenzhen, China

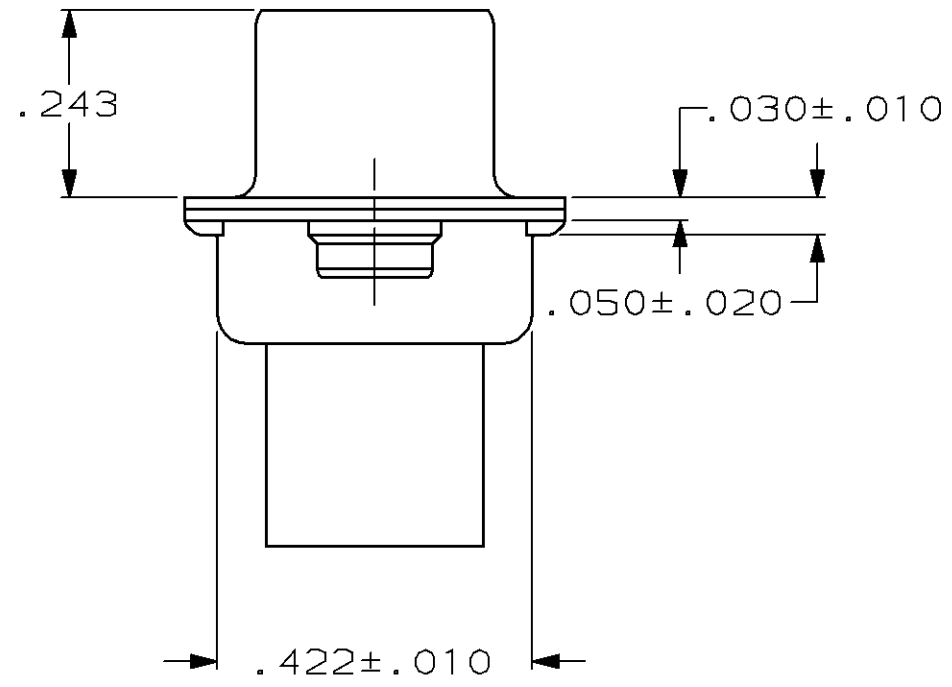
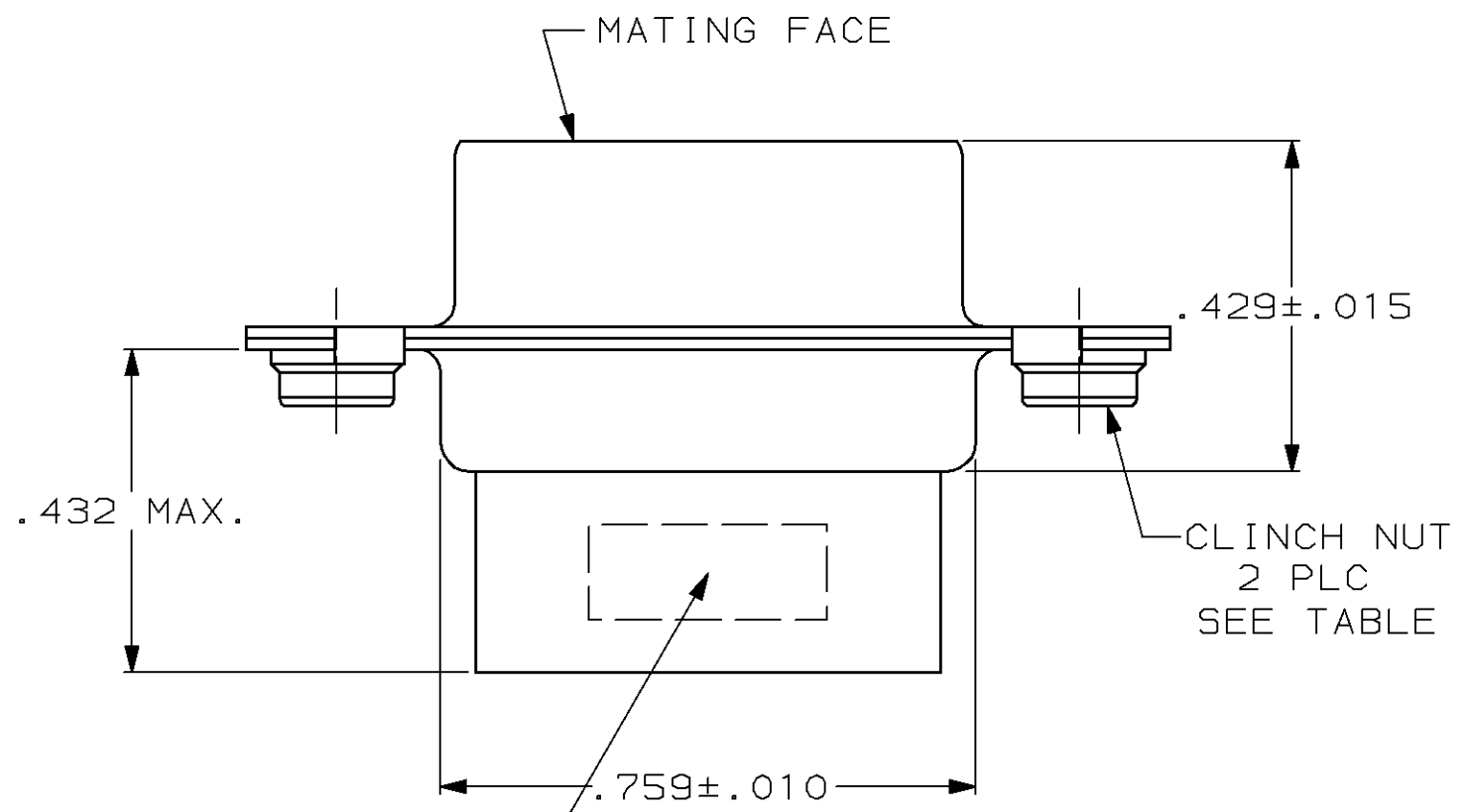


THIS DRAWING IS UNPUBLISHED. RELEASED FOR PUBLICATION, 19 .
 © COPYRIGHT 19 BY AMP INCORPORATED. ALL INTERNATIONAL RIGHTS RESERVED.

LOC	DIST	P	F	ZONE	LTR	REVISIONS	DATE	APPD
BD	48				O	RELEASED	-	-
					O ₁	REVISED ECN-0755	10-15-84	SW
					A	ADDED -2 PER NPR 3518	5-10-91	-
					B	OBS -2 PER EC 0420-141-96	23 SEPT 97	SB



- 1. CONNECTOR ACCEPTS SIZE 20 DF SOCKET CONTACTS, RETENTION TINES ARE AN INTEGRAL PART OF INSERT.
- 2 FLAME RETARDANT 94V-0 RATED THERMOPLASTIC; COLOR: BLACK.
- 3 STEEL PER QQ-S-698.
- 4 TIN PLATED PER MIL-T-10727.



"AMP", PART NO. & DATE CODE, INK STAMPED IN AREA INDICATED, ON FAR SIDE

OBSOLETE	M-3	745907-2
	4-40	745907-1
	CLINCH NUT THREAD TYPE	PART NO

DO NOT SCALE PRINT. UNLESS SPECIFIED DIMENSIONS ARE IN INCHES TOLERANCES ON: 2 PLC DEC ± - 3 PLC DEC ± .005 ANGLES ± 2°	DR 7-9-82 J.GERACE	AMP Incorporated Harrisburg, PA 17105-3608	
	CHK 7-9-82 J.GERACE		
MATERIAL	APPD 8-4-82 J.FULPONI	NAME	
MOLDED PARTS: 2 SHELLS: 3	APPD 8-4-82 E.GILL	RECEPTACLE CONNECTOR, SIZE 1, 9 POSN, WITH CLINCH NUTS, AMPLIMITE HDP	
FINISH SHELLS: 4	PRODUCT SPEC 108-40005	SIZE C	CAGE CODE 00779
	APPLICATION SPEC -	DRAWING NO 745907	
	WEIGHT -	SCALE -	SHEET 1 OF 1