



Chipsmall Limited consists of a professional team with an average of over 10 year of expertise in the distribution of electronic components. Based in Hongkong, we have already established firm and mutual-benefit business relationships with customers from,Europe,America and south Asia,supplying obsolete and hard-to-find components to meet their specific needs.

With the principle of “Quality Parts,Customers Priority,Honest Operation,and Considerate Service”,our business mainly focus on the distribution of electronic components. Line cards we deal with include Microchip,ALPS,ROHM,Xilinx,Pulse,ON,Everlight and Freescale. Main products comprise IC,Modules,Potentiometer,IC Socket,Relay,Connector.Our parts cover such applications as commercial,industrial, and automotives areas.

We are looking forward to setting up business relationship with you and hope to provide you with the best service and solution. Let us make a better world for our industry!



## Contact us

Tel: +86-755-8981 8866 Fax: +86-755-8427 6832

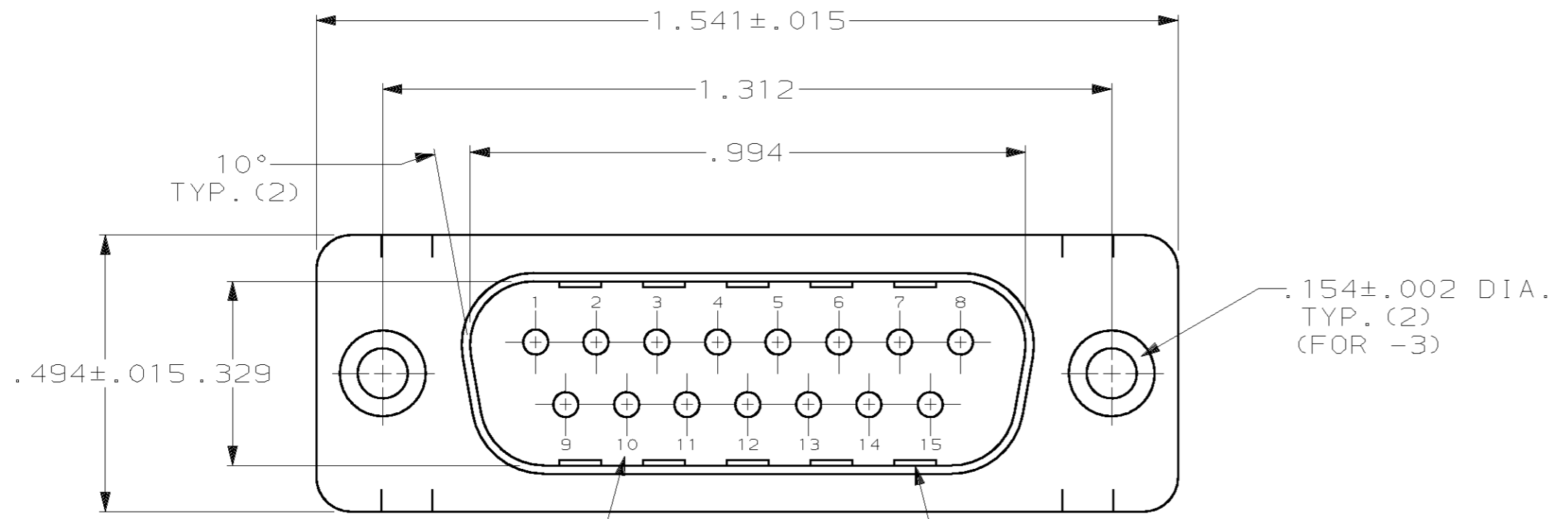
Email & Skype: info@chipsmall.com Web: www.chipsmall.com

Address: A1208, Overseas Decoration Building, #122 Zhenhua RD., Futian, Shenzhen, China



THIS DRAWING IS UNPUBLISHED. RELEASED FOR PUBLICATION .19  
 (C) COPYRIGHT 19 BY AMP INCORPORATED. ALL RIGHTS RESERVED.

LOC		DIST		REVISIONS			
P	LTR	DESCRIPTION		DATE	DWN	APVD	
GP	00	C		REVISED PER EC 0513-0023-03	14MAY03	JG	5B

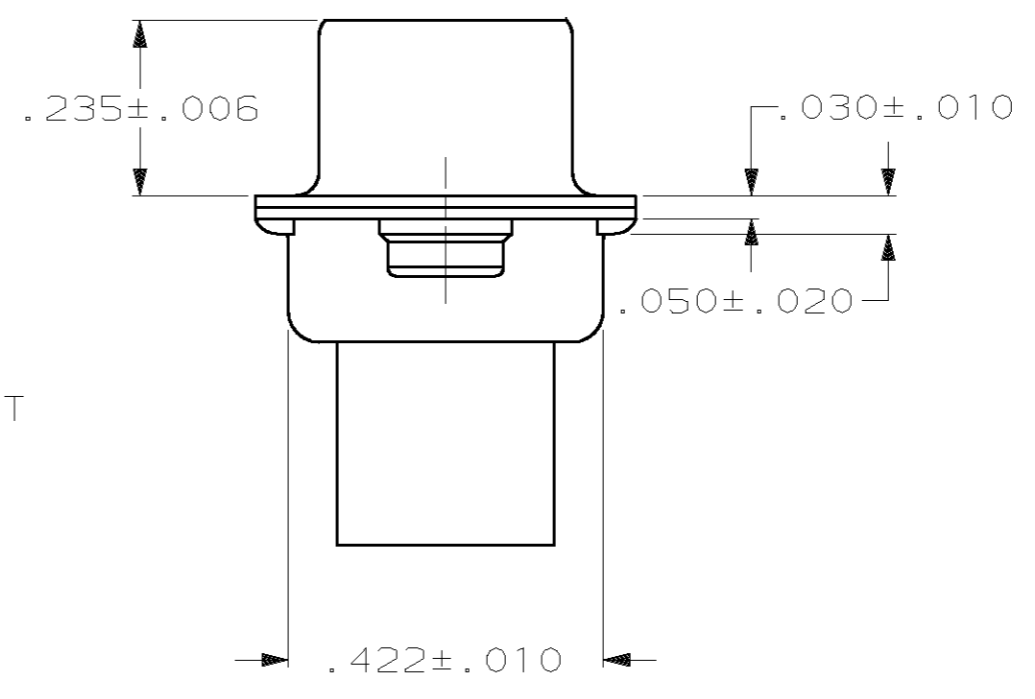
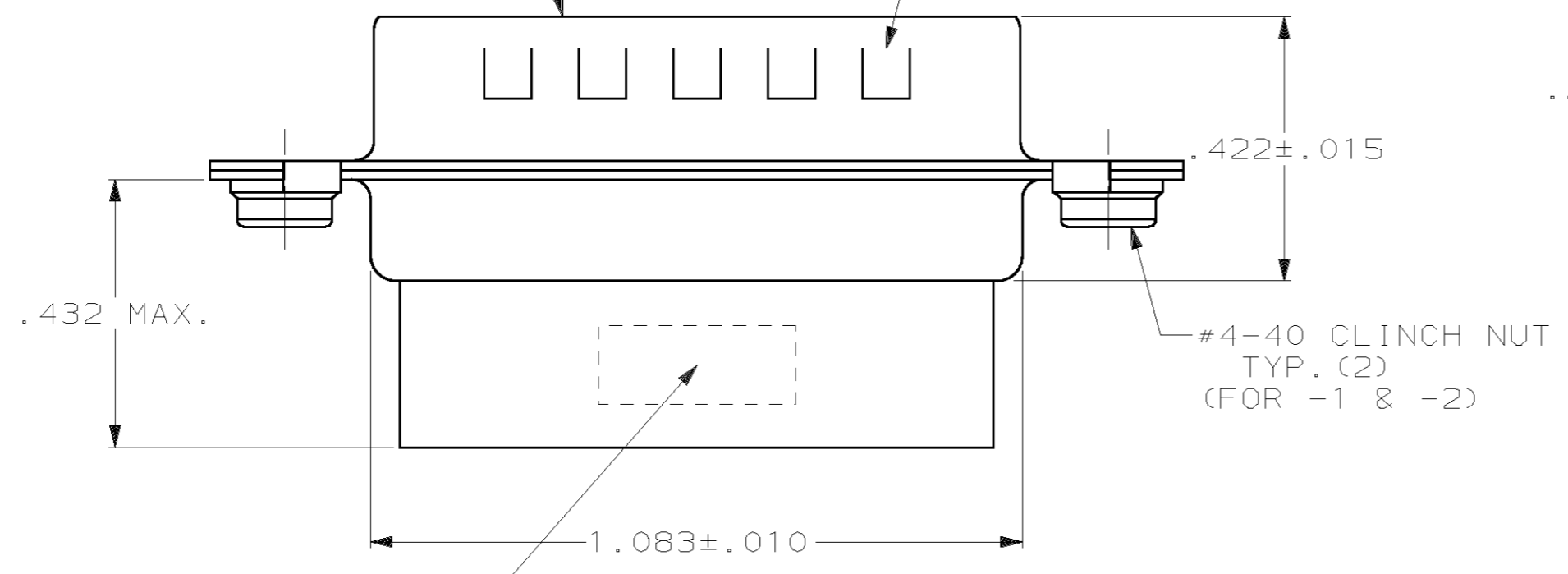


- CONNECTOR ACCEPTS SIZE 20 DF PIN CONTACTS, RETENTION TINES ARE AN INTEGRAL PART OF INSERT.
- CONNECTOR COMPLIES WITH AMP SPEC. 108-40005 WHERE APPLICABLE.
- FLAME RETARDANT 94V-0 RATED THERMOPLASTIC; COLOR: BLACK.
- STEEL PER ASTM A109.
- TIN PLATED PER MIL-T-10727.

RAISED CAVITY IDENTIFICATION

GROUNDING INDENTS (FOR -2 & -3)

MATING FACE



OBSOLETE	NO	YES	745908-3
	YES	YES	745908-2
OBSOLETE	YES	NO	745908-1

CLINCH NUTS	GROUNDING INDENTS	PART NUMBER
-------------	-------------------	-------------

THIS DRAWING IS A CONTROLLED DOCUMENT.		DWN	J.GERACE	09 JUL 82	AMP Incorporated Harrisburg, PA 17105-3608
DIMENSIONS: mm (INCHES)		CHK	J.FULPONI	03 AUG 82	
TOLERANCES UNLESS OTHERWISE SPECIFIED: 0 PLC ±- 1 PLC ±- 2 PLC ±- 3 PLC ±.005 4 PLC ±- ANGLES ±2°		APVD	E.GILL	04 AUG 82	
MATERIAL MOLDED PARTS: 3 SHELLS: 4		PRODUCT SPEC	NAME		
		FINISH	SHELLS: 3		PLUG CONNECTOR, SIZE 2, 15 POS, W/CLINCH NUTS, AMPLIMITE HDP
		WEIGHT	SIZE		A2
		CUSTOMER DRAWING	CAGE CODE		00779
			DRAWING NO		C-745908
			SCALE		4:1
			SHEET		1 OF 1
			REV		C

745908