



Chipsmall Limited consists of a professional team with an average of over 10 year of expertise in the distribution of electronic components. Based in Hongkong, we have already established firm and mutual-benefit business relationships with customers from,Europe,America and south Asia,supplying obsolete and hard-to-find components to meet their specific needs.

With the principle of “Quality Parts,Customers Priority,Honest Operation,and Considerate Service”,our business mainly focus on the distribution of electronic components. Line cards we deal with include Microchip,ALPS,ROHM,Xilinx,Pulse,ON,Everlight and Freescale. Main products comprise IC,Modules,Potentiometer,IC Socket,Relay,Connector.Our parts cover such applications as commercial,industrial, and automotives areas.

We are looking forward to setting up business relationship with you and hope to provide you with the best service and solution. Let us make a better world for our industry!



## Contact us

Tel: +86-755-8981 8866 Fax: +86-755-8427 6832

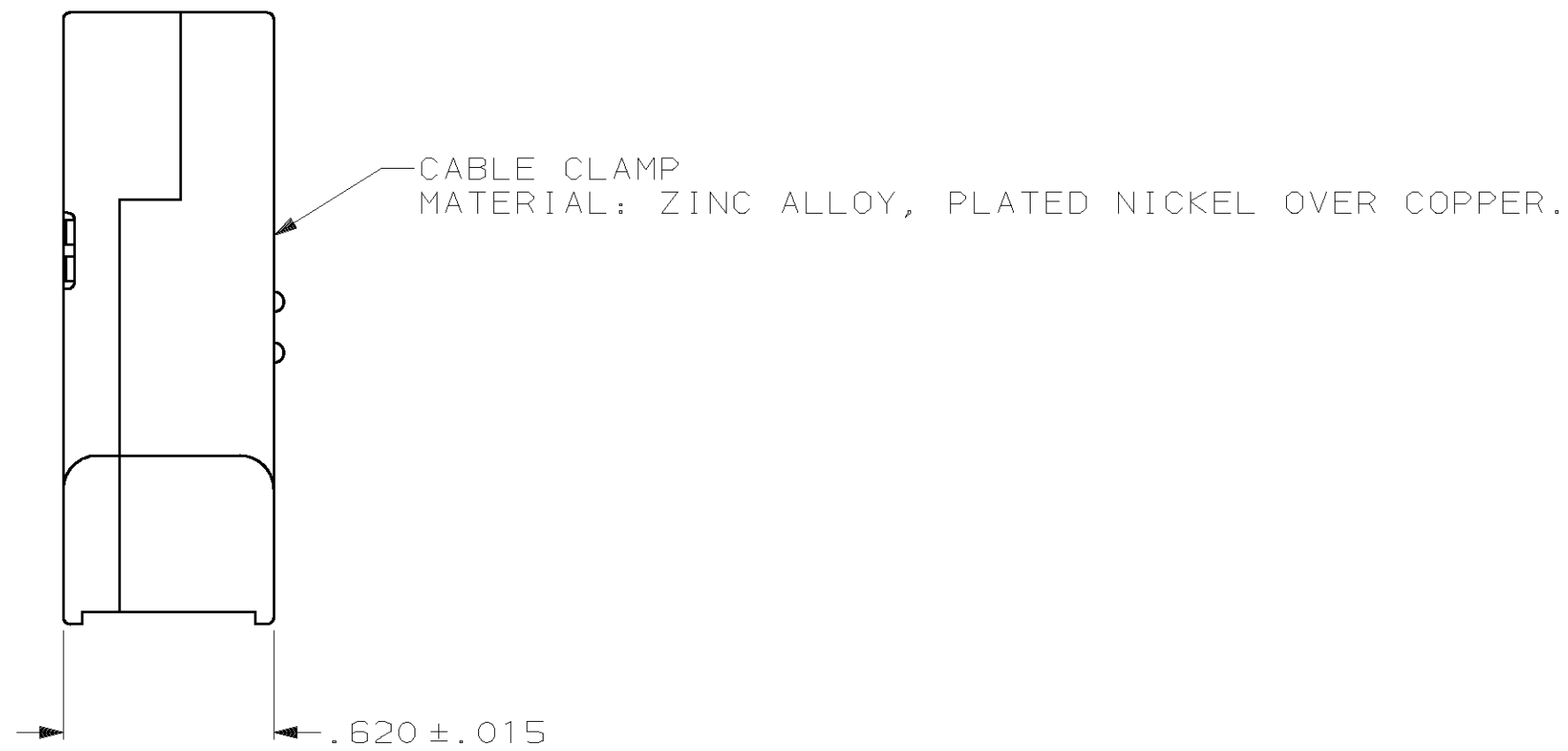
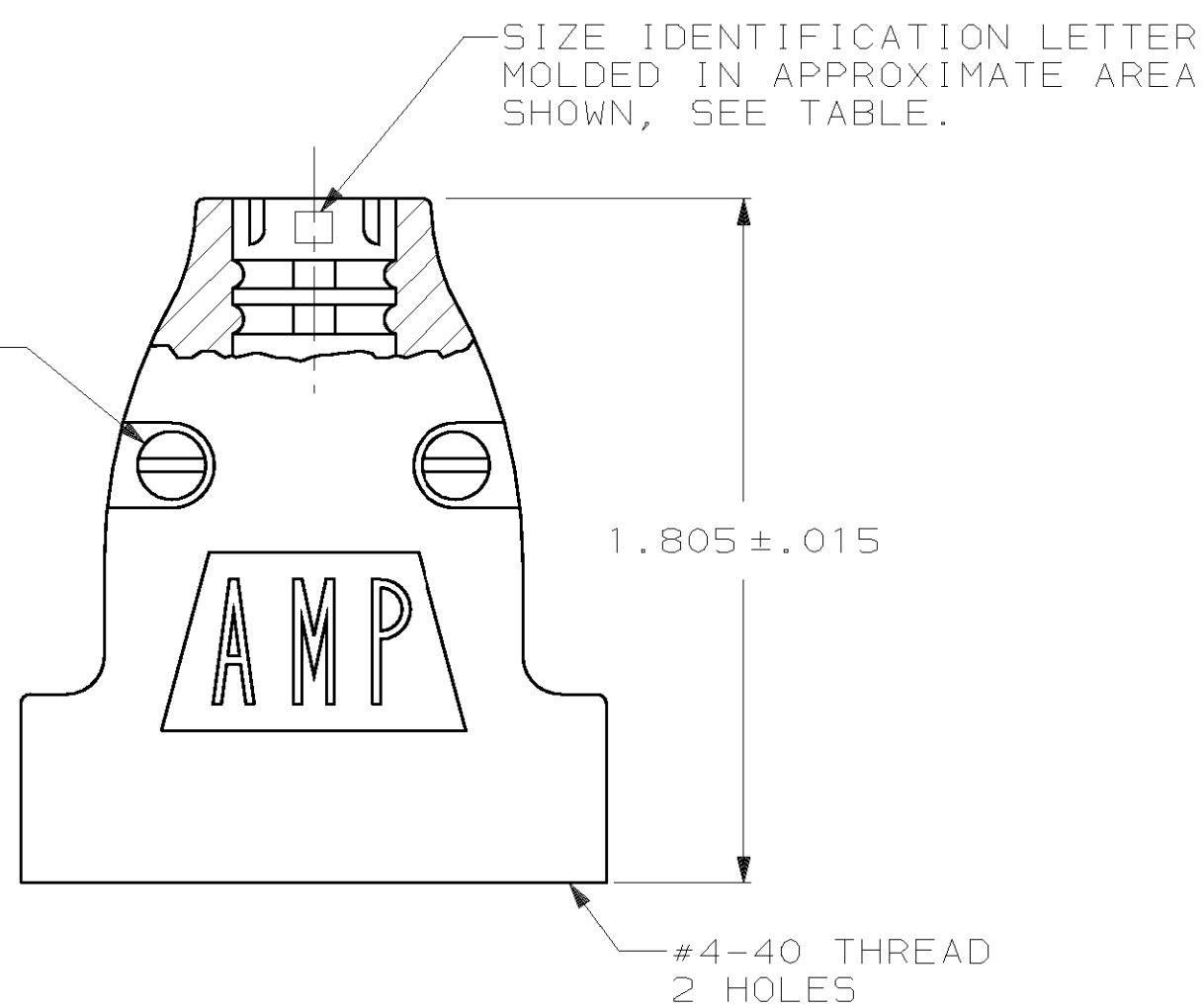
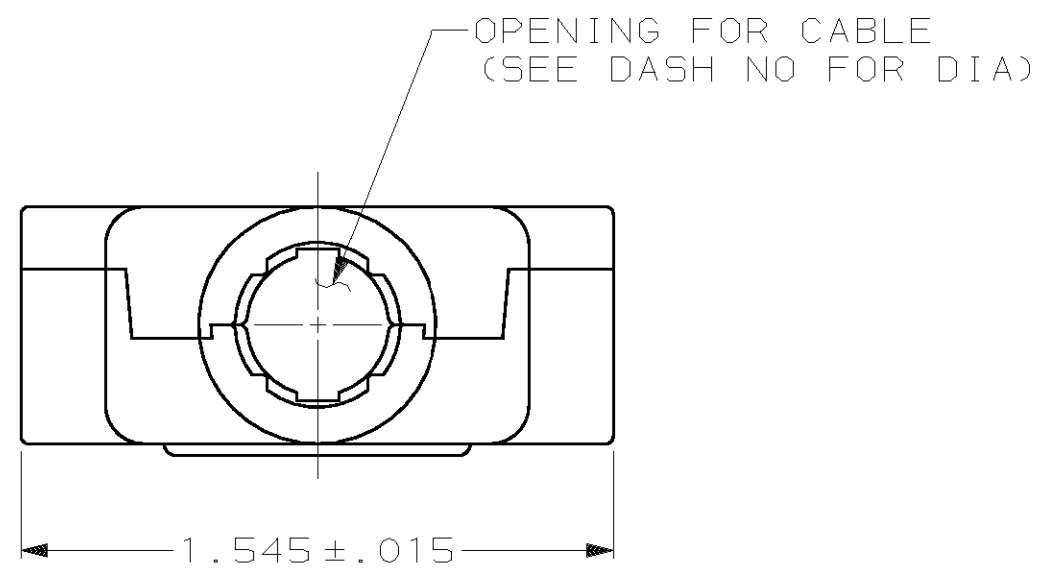
Email & Skype: info@chipsmall.com Web: www.chipsmall.com

Address: A1208, Overseas Decoration Building, #122 Zhenhua RD., Futian, Shenzhen, China




THIS DRAWING IS UNPUBLISHED. RELEASED FOR PUBLICATION ,19 .  
 © COPYRIGHT 19 BY AMP INCORPORATED. ALL INTERNATIONAL RIGHTS RESERVED.

LOC		DIST		REVISIONS				
BD	0	P	F	ZONE	LTR	DESCRIPTION	DATE	APPD
					B	REDRAWN	7-90	-
					C	OBS -4 PER EC 0U1D-0155-00	02 FEB 01	DK



1. PARTS PACKAGED UNASSEMBLED.

OBSOLETE	B	.225	745919-4
	E	.300	745919-3
	H	.375	745919-2
	K	.430	745919-1
	SIZE IDENT LETTER	MAX CABLE DIA	PART NUMBER

DO NOT SCALE PRINT. UNLESS SPECIFIED DIMENSIONS IN INCHES TOLERANCES ON : 2 PLC DEC ± - 3 PLC DEC ± .005 ANGLES ± -	DR 7-25-90 J GALLUCCI BG	 AMP INCORPORATED Harrisburg, Pa. 17105		
MATERIAL SEE CALLOUTS	CHK - APPD - APPD - PRODUCT SPEC -			NAME CABLE CLAMP KIT, SIZE 2, 15 POSITION, 180 DEGREES, AMPLIMITE™ SERIES
FINISH SEE CALLOUTS	APPLICATION SPEC -	SIZE <b>C</b>	FSCM NO 00779	DRAWING NO 745919
	WEIGHT -	SCALE 2:1		SHEET 1 OF 1