



Chipsmall Limited consists of a professional team with an average of over 10 year of expertise in the distribution of electronic components. Based in Hongkong, we have already established firm and mutual-benefit business relationships with customers from,Europe,America and south Asia,supplying obsolete and hard-to-find components to meet their specific needs.

With the principle of “Quality Parts,Customers Priority,Honest Operation,and Considerate Service”,our business mainly focus on the distribution of electronic components. Line cards we deal with include Microchip,ALPS,ROHM,Xilinx,Pulse,ON,Everlight and Freescale. Main products comprise IC,Modules,Potentiometer,IC Socket,Relay,Connector.Our parts cover such applications as commercial,industrial, and automotives areas.

We are looking forward to setting up business relationship with you and hope to provide you with the best service and solution. Let us make a better world for our industry!



Contact us

Tel: +86-755-8981 8866 Fax: +86-755-8427 6832

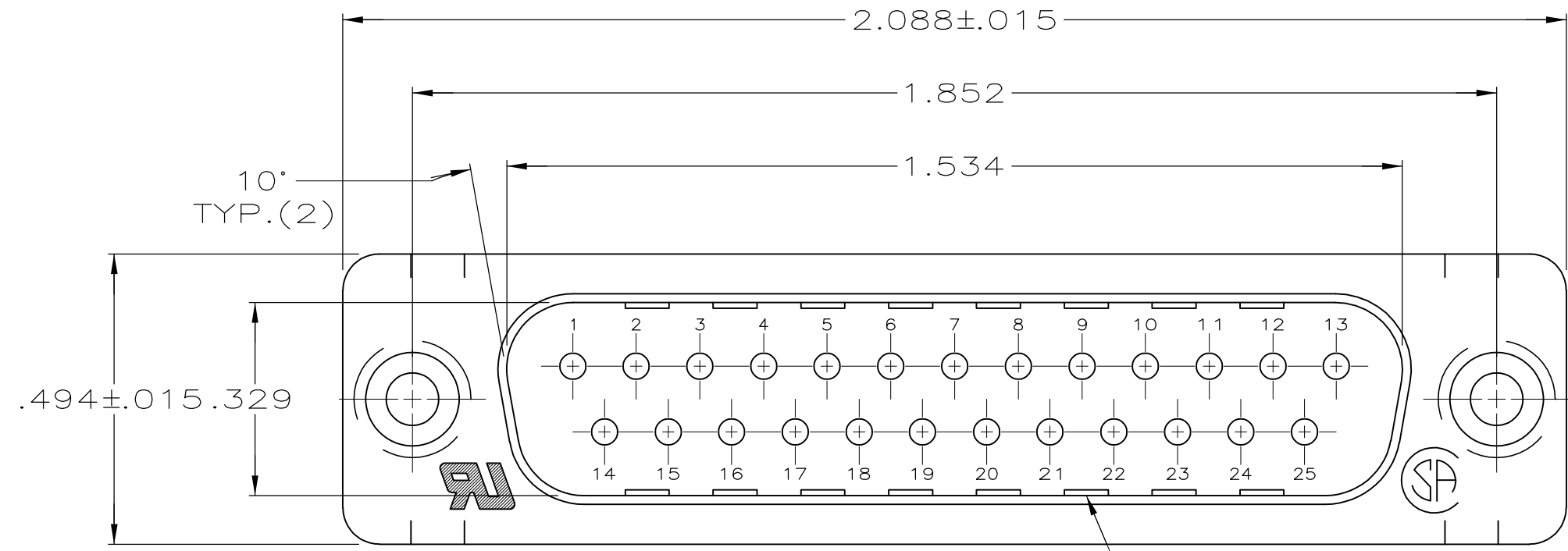
Email & Skype: info@chipsmall.com Web: www.chipsmall.com

Address: A1208, Overseas Decoration Building, #122 Zhenhua RD., Futian, Shenzhen, China

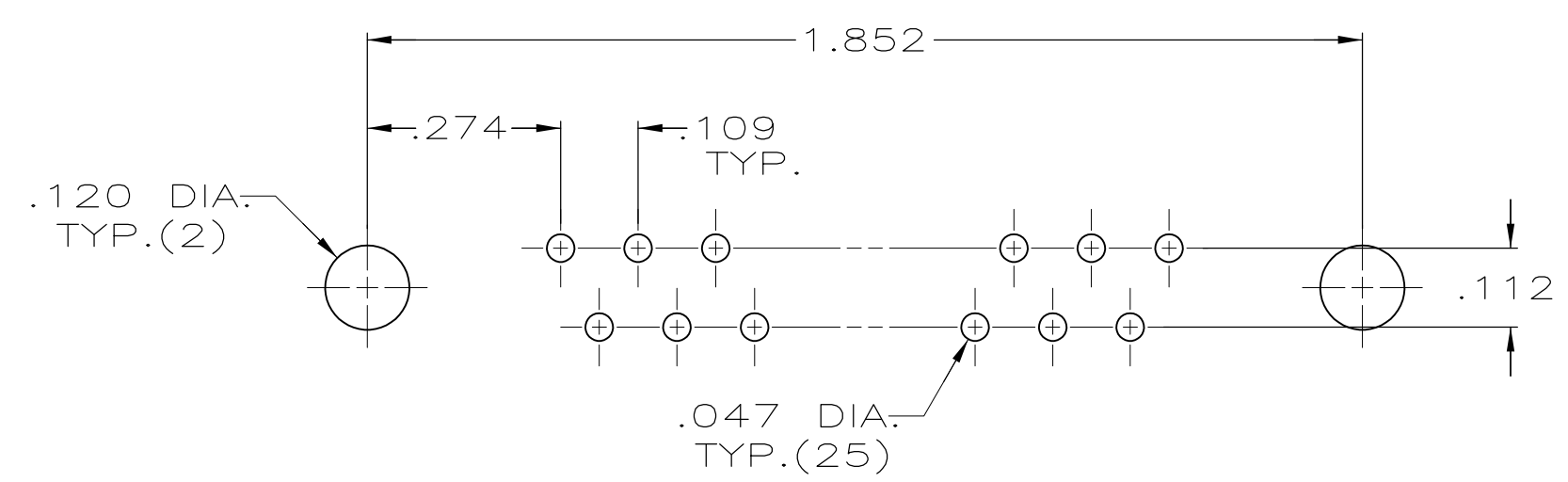
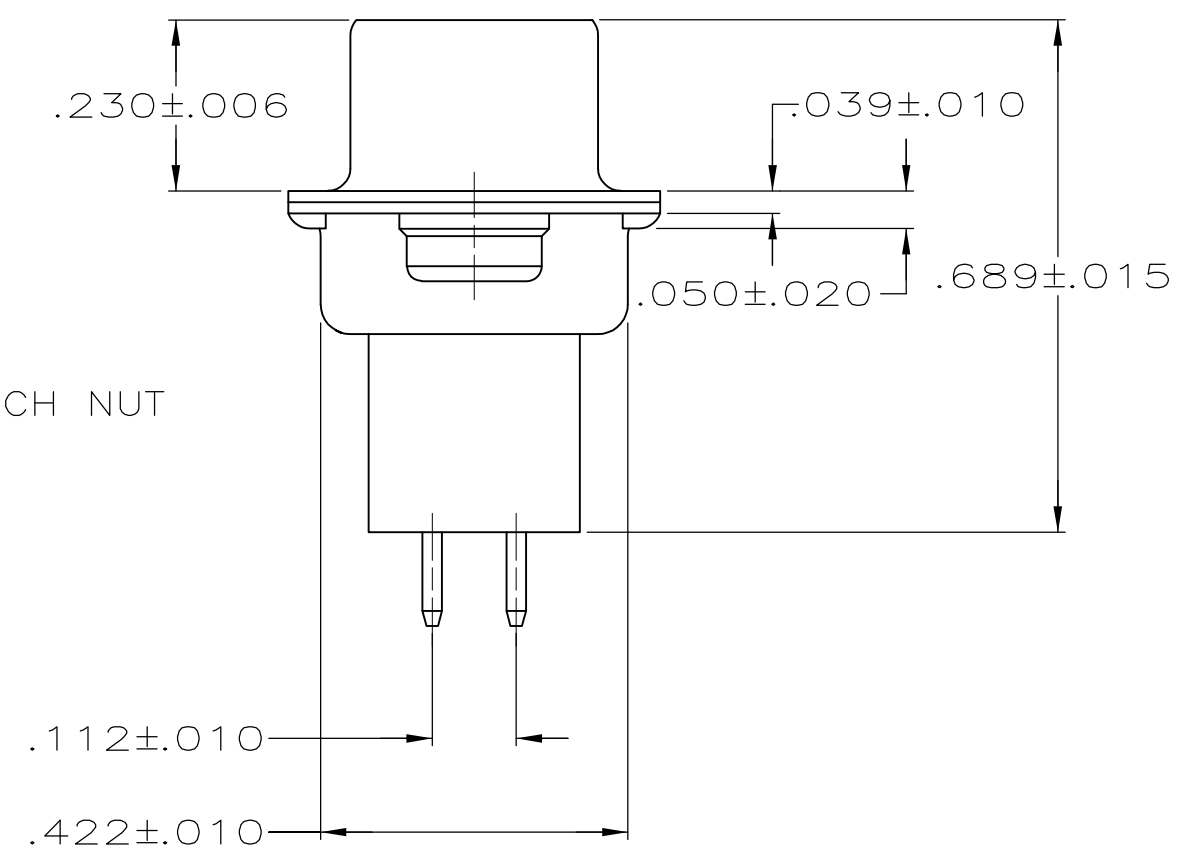
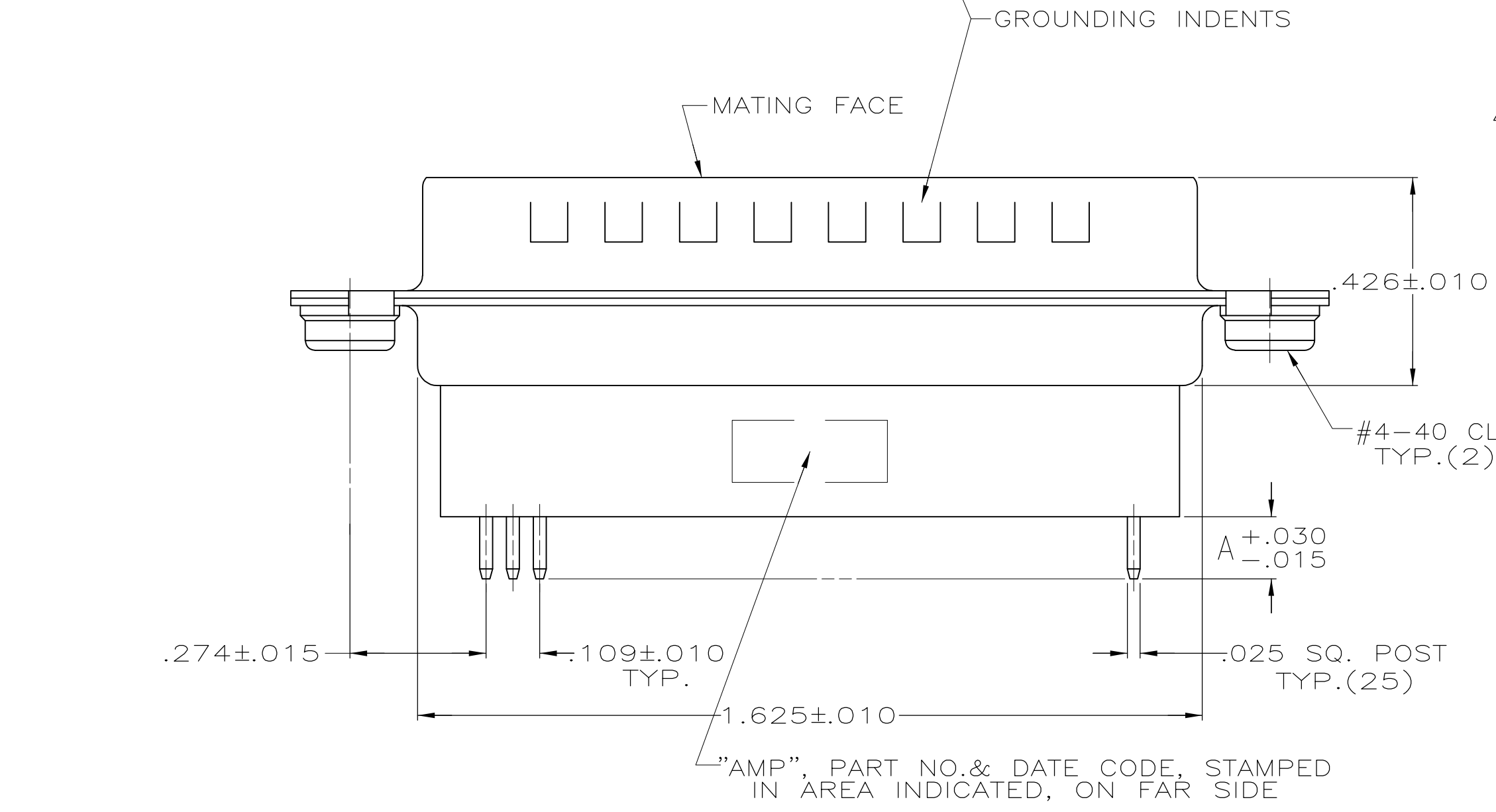


THIS DRAWING IS UNPUBLISHED. RELEASED FOR PUBLICATION
 © COPYRIGHT BY TYCO ELECTRONICS CORPORATION. ALL RIGHTS RESERVED.

LOC	DIST	REVISIONS			
P	LTR	DESCRIPTION	DATE	DWN	APVD
GP	00				
	L	REVISED PER ECO-10-000073	08FEB2010	CR	SB



1. NOTE DELETED.
2. MOLDED PARTS: FLAME RETARDANT, 94V-0 RATED THERMOPLASTIC, BLACK
 CONTACTS: BRASS
 SHELLS: STEEL
 CLINCH NUTS: STEEL
3. SHELLS: .000200 MIN TIN OVER .000100 MIN COPPER.
 CLINCH NUTS: .000200 MIN ZINC WITH CLEAR CHROMATE COATING.
 CONTACTS: SEE TABLE
4. GOLD FLASH ON MATING END, .000100 MIN TIN-LEAD ON SOLDER END, ALL OVER .000050 MIN NICKEL.
5. GOLD PLATED FOR LENGTH OF .150 MIN FROM MATING END, .000030 MIN GOLD IN MATED AREA, .000100 MIN TIN-LEAD ON SOLDER END, ALL OVER .000050 MIN NICKEL.
 -OR-
 GOLD FLASH OVER PALLADIUM-NICKEL PLATED FOR A LENGTH OF .150 MIN FROM MATING END, .000030 MIN TOTAL IN MATED AREA, .000100 MIN TIN-LEAD ON SOLDER END, ALL OVER .000050 MIN NICKEL.
6. SUPERSEDED BY 745959-1.



P.C. BOARD MOUNTING DIMENSIONS

	CONTACT FINISH	DIMENSION A	PART NUMBER
6	4	.188	745959-8
	5	.188	745959-7
	4	.651	745959-6
	5	.651	745959-5
	4	.427	745959-4
	5	.427	745959-3
	4	.125	745959-2
	5	.125	745959-1

THIS DRAWING IS A CONTROLLED DOCUMENT.		DWN J.GERACE 07-19-84	Tyco Electronics Corporation Harrisburg, PA 17105-3608	
DIMENSIONS: INCHES		CHK J.GERACE 01-17-84		
TOLERANCES UNLESS OTHERWISE SPECIFIED:		APVD J.ASSINI 7-30-84	NAME	
0 PLC ± -		PRODUCT SPEC	PLUG ASSEMBLY, SIZE 3, 25 POSN, VERTICAL, .025 SQ. POSTS, W/ CLINCH NUTS, AMPLIMITE HDP	
1 PLC ± -		APPLICATION SPEC	SIZE	CAGE CODE
2 PLC ± -		108-40025	A2	00779
3 PLC ± .005		114-40013	DRAWING NO	C=745959
4 PLC ± -		WEIGHT -	RESTRICTED TO	-
4 PLC ANGLES ± 2°		CUSTOMER DRAWING	SCALE -	SHEET 1 of 1
MATERIAL 2		FINISH 3	REV	L