



Chipsmall Limited consists of a professional team with an average of over 10 year of expertise in the distribution of electronic components. Based in Hongkong, we have already established firm and mutual-benefit business relationships with customers from,Europe,America and south Asia,supplying obsolete and hard-to-find components to meet their specific needs.

With the principle of “Quality Parts,Customers Priority,Honest Operation,and Considerate Service”,our business mainly focus on the distribution of electronic components. Line cards we deal with include Microchip,ALPS,ROHM,Xilinx,Pulse,ON,Everlight and Freescale. Main products comprise IC,Modules,Potentiometer,IC Socket,Relay,Connector.Our parts cover such applications as commercial,industrial, and automotives areas.

We are looking forward to setting up business relationship with you and hope to provide you with the best service and solution. Let us make a better world for our industry!



## Contact us

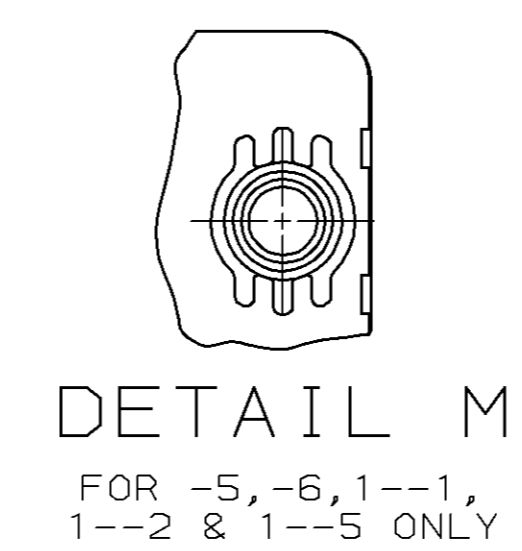
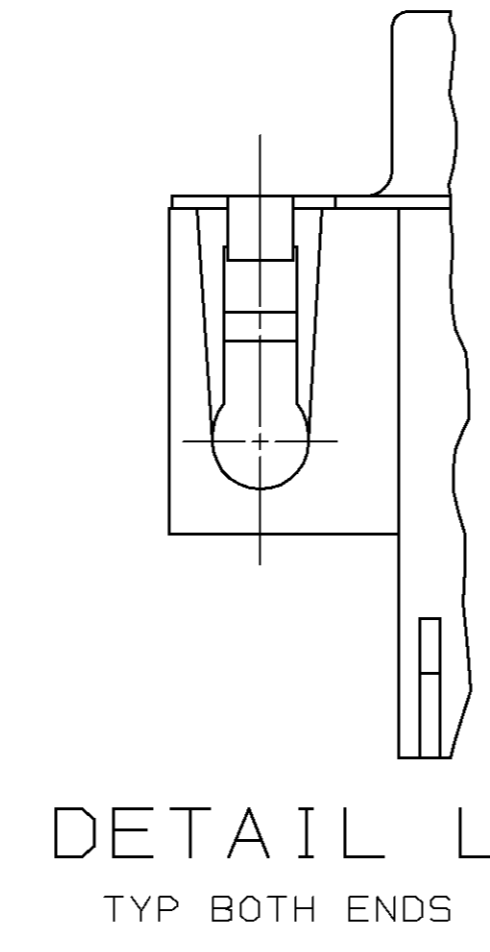
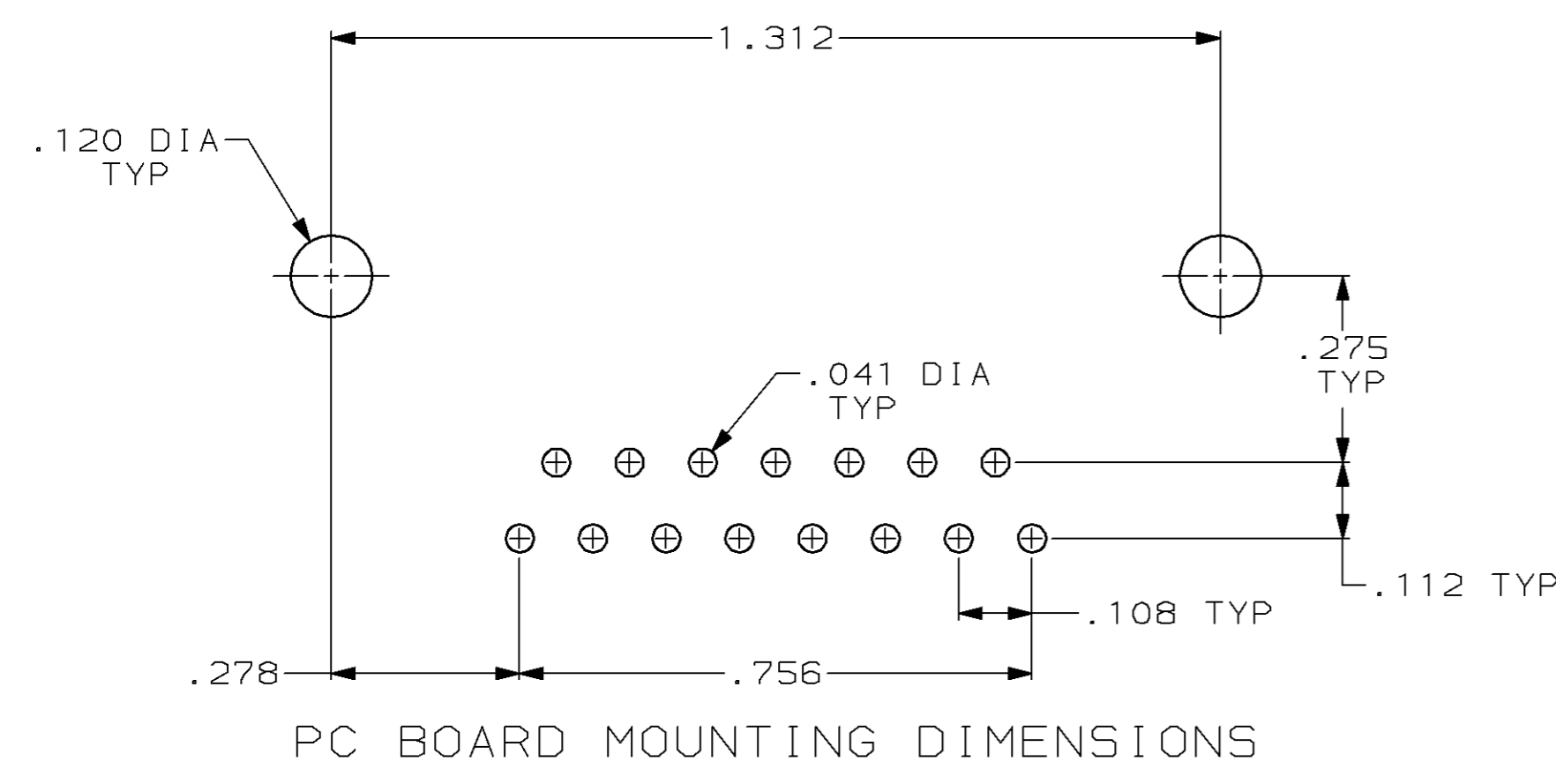
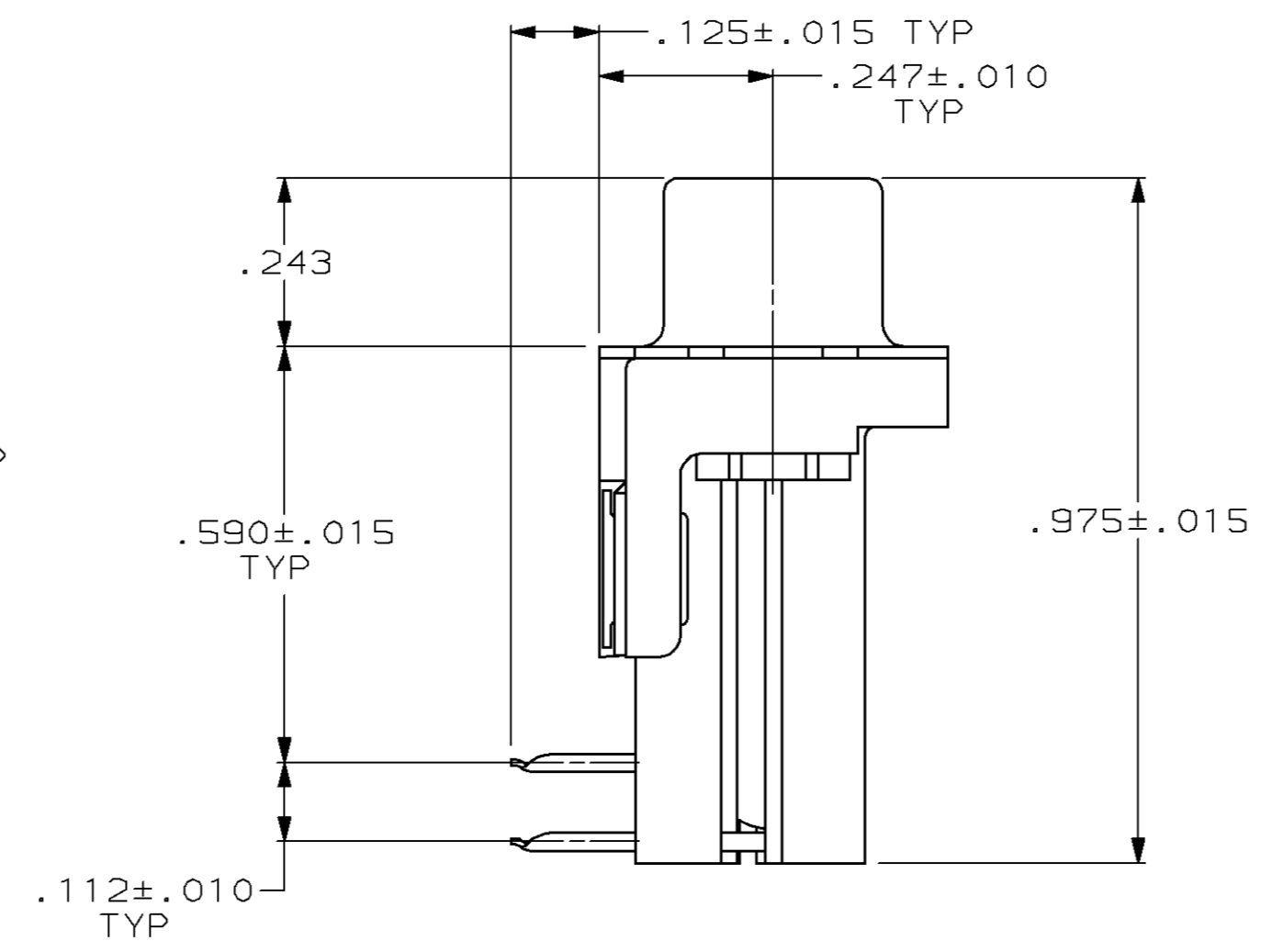
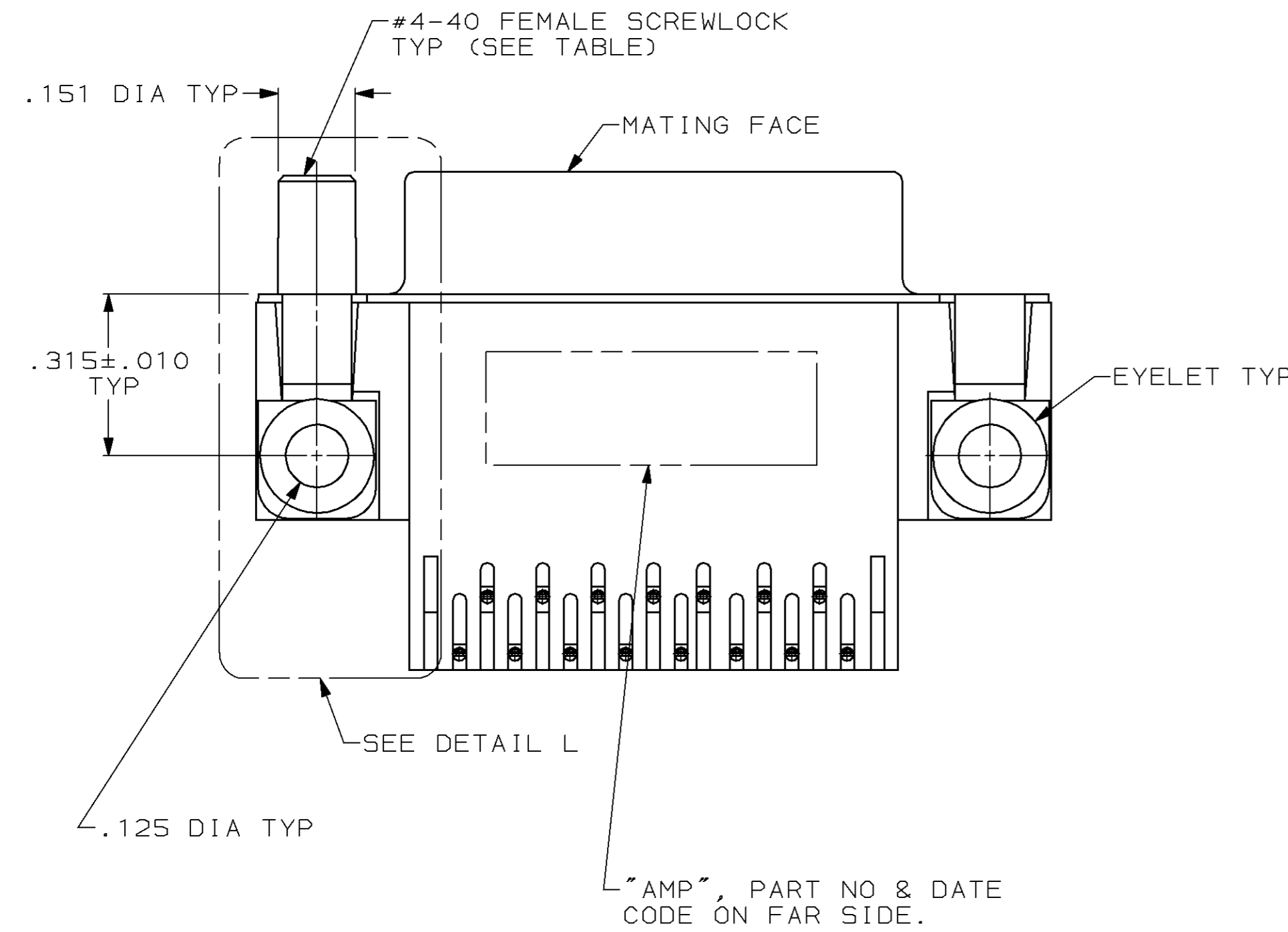
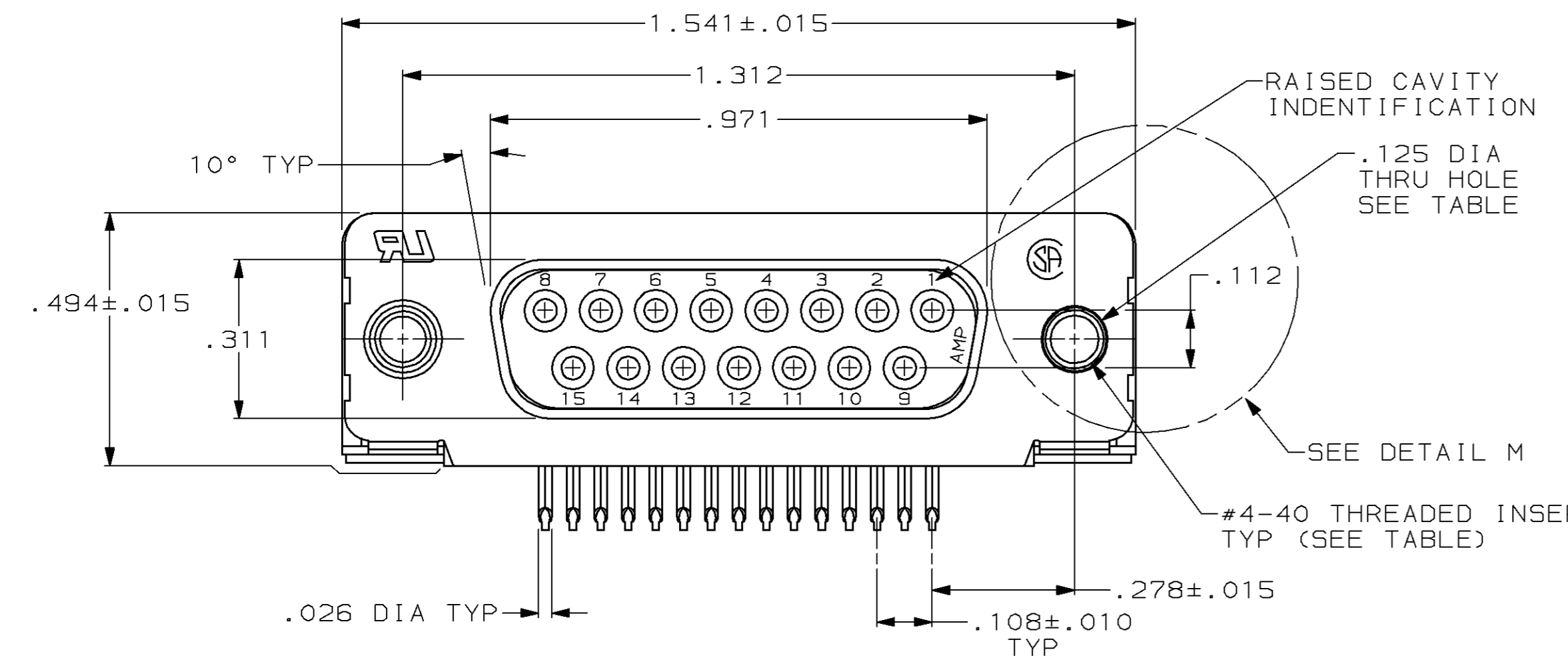
Tel: +86-755-8981 8866 Fax: +86-755-8427 6832

Email & Skype: info@chipsmall.com Web: www.chipsmall.com

Address: A1208, Overseas Decoration Building, #122 Zhenhua RD., Futian, Shenzhen, China



LOC	DIST	P	F	ZONE	LTR	REVISIONS		
						DESCRIPTION	DATE	APPD
					E	REDRAWN	1-23-91	-
					F	REV PER ECN BD4960	6-29-91	CR
					G	REVISED PER ECN BD5477	01/21/92	CR
					H	OBSOLETE -7, -8, 1--0, 1--1 AND 1--9 PER ECN BD6035	06/17/92	CR
					J	REV PER ECN BD6559	04/14/93	BT
					K	OBSOLETE -1, -2, -5 AND -6 PER EC 0020-830-93	03/21/94	SB
					L	REV PER EC 0020-1338-94	12/12/94	RT
					M	OBS -9, -12 PER EC 0020-448-95	22 AUG 95	RT
					N	SUPSD -3 PER EC 0020-465-96	13 MAR 97	RT



- CONNECTOR MATES WITH ANY 15 POSN PLUG IN AMPLIMITE™ SERIES & COMPLIES WITH AMP SPEC 108-40005 WHERE APPLICABLE.
- MOLDED PARTS: FLAME RETARDANT 94V-0 RATED THERMOPLASTIC, BLACK.  
SHELL: STEEL PER ASTM A109  
CONTACTS: PHOSPHOR BRONZE PER QQ-B-750  
EYELETS: BRASS  
SCREWLOCKS: ZINC  
INSERTS: ZINC
- SHELL: BRIGHT TIN PLATED  
CONTACTS: SEE TABLE  
EYELETS: TIN PLATED  
INSERTS: CLEAR CHROMATE  
SCREWLOCKS: CLEAR CHROMATE
- GOLD PLATING PER MIL-G-45204, NICKEL PLATING PER 00-N-290, BRIGHT TIN PLATING PER MIL-T-10727.
- GOLD FLASH FOR A DISTANCE OF .100 MIN FROM MATING END, TIN PLATED .000100-.000200 ON SOLDER POST, ALL OVER .000050 NICKEL.
- .000030 GOLD FOR A DISTANCE OF .100 MIN FROM MATING END, TIN PLATED .000100-.000200 ON SOLDER POST, ALL OVER .000050 NICKEL.
- .000015 GOLD FOR A DISTANCE OF .100 MIN FROM MATING END, TIN PLATED .000100-.000200 ON SOLDER POST, ALL OVER .000050 NICKEL.
- .000010 GOLD FOR A DISTANCE OF .100 MIN FROM MATING END, TIN PLATED .000100-.000200 ON SOLDER POST, ALL OVER .000050 NICKEL.

OBSOLETE	THREADED INSERT	CLINCH TABS (SEE DETAIL L)	△8	1-745984-9
OBSOLETE	FEMALE SCREWLOCKS	CLINCH TABS (SEE DETAIL L)	△7	1-745984-8
OBSOLETE	THREADED INSERTS	CLINCH TABS (SEE DETAIL L)	△7	1-745984-7
OBSOLETE	.125 DIA HOLE	CLINCH TABS (SEE DETAIL L)	△7	1-745984-6
OBSOLETE	FEMALE SCREWLOCKS	GROUNDING STRAPS	△7	1-745984-5
OBSOLETE	THREADED INSERTS	GROUNDING STRAPS	△7	1-745984-4
OBSOLETE	.125 DIA HOLE	GROUNDING STRAPS	△7	1-745984-3
OBSOLETE	FEMALE SCREWLOCKS	CLINCH TABS (SEE DETAIL L)	△6	1-745984-2
OBSOLETE	FEMALE SCREWLOCKS	CLINCH TABS (SEE DETAIL L)	△5	1-745984-1
OBSOLETE	THREADED INSERTS	CLINCH TABS (SEE DETAIL L)	△6	1-745984-0
OBSOLETE	THREADED INSERTS	CLINCH TABS (SEE DETAIL L)	△5	745984-9
OBSOLETE	.125 DIA HOLE	CLINCH TABS (SEE DETAIL L)	△6	745984-8
OBSOLETE	.125 DIA HOLE	CLINCH TABS (SEE DETAIL L)	△5	745984-7
OBSOLETE	FEMALE SCREWLOCKS	GROUNDING STRAPS	△6	745984-6
OBSOLETE	FEMALE SCREWLOCKS	GROUNDING STRAPS	△5	745984-5
OBSOLETE	THREADED INSERTS	GROUNDING STRAPS	△6	745984-4
OBSOLETE	THREADED INSERTS	GROUNDING STRAPS	△5	745984-3
OBSOLETE	.125 DIA HOLE	GROUNDING STRAPS	△6	745984-2
OBSOLETE	.125 DIA HOLE	GROUNDING STRAPS	△5	745984-1
MOUNTING HARDWARE		SHELL VERSION	CONTACT FINISH △4	PART NUMBER

DO NOT SCALE PRINT. UNLESS SPECIFIED DIMENSIONS IN INCHES TOLERANCES ON: 2 PLC DEC ± 3 PLC DEC ± .005 ANGLES ± 2°	DR 1-23-91 J GALLUCCI BG CHK 4-26-91 R. STONE APPD 4-26-91 J.W. YOUNG MATERIAL △2 PRODUCT SPEC 108-40025 FINISH △3 APPLICATION SPEC 114-40010 WEIGHT	AMP AMP Incorporated Harrisburg, PA 17105-3608 NAME RCPT ASSY, SIZE 2, RTANG, W/FRONT METAL SHELL, .026 DIA POSTS, AMLPIMITE™ HD-20 (.590 FOOTPRINT) SHORT LEG SIZE D CAGE CODE 00779 DRAWING NO 745984 SCALE 4:1 SHEET 1 OF 1
--	--	--