



Chipsmall Limited consists of a professional team with an average of over 10 year of expertise in the distribution of electronic components. Based in Hongkong, we have already established firm and mutual-benefit business relationships with customers from,Europe,America and south Asia,supplying obsolete and hard-to-find components to meet their specific needs.

With the principle of "Quality Parts,Customers Priority,Honest Operation,and Considerate Service",our business mainly focus on the distribution of electronic components. Line cards we deal with include Microchip,ALPS,ROHM,Xilinx,Pulse,ON,Everlight and Freescale. Main products comprise IC,Modules,Potentiometer,IC Socket,Relay,Connector.Our parts cover such applications as commercial,industrial, and automotives areas.

We are looking forward to setting up business relationship with you and hope to provide you with the best service and solution. Let us make a better world for our industry!



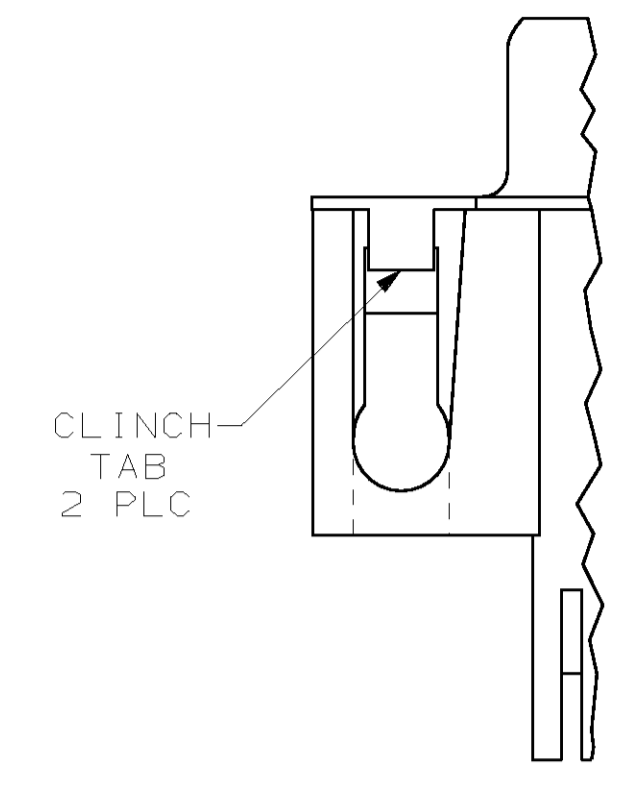
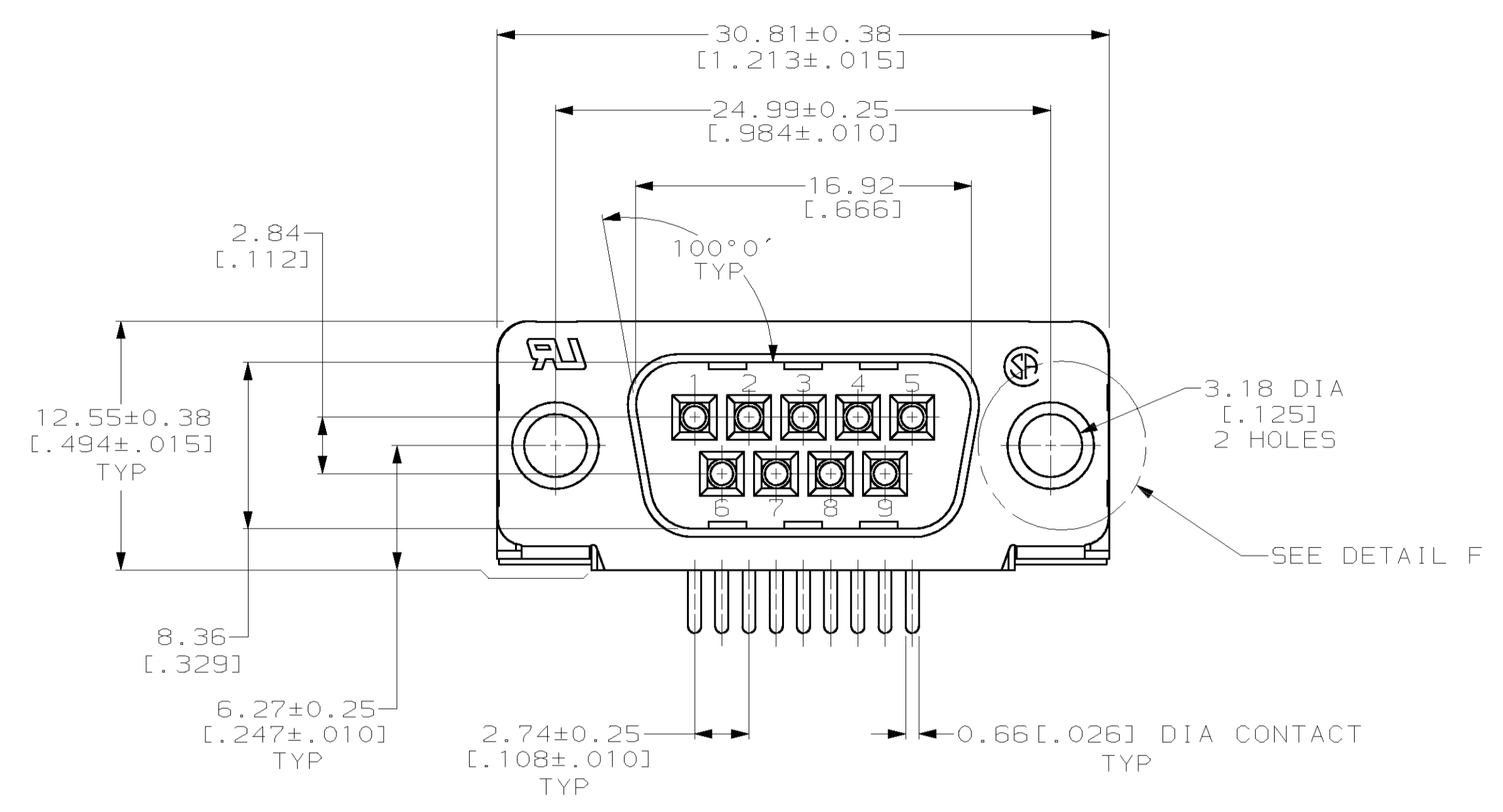
Contact us

Tel: +86-755-8981 8866 Fax: +86-755-8427 6832

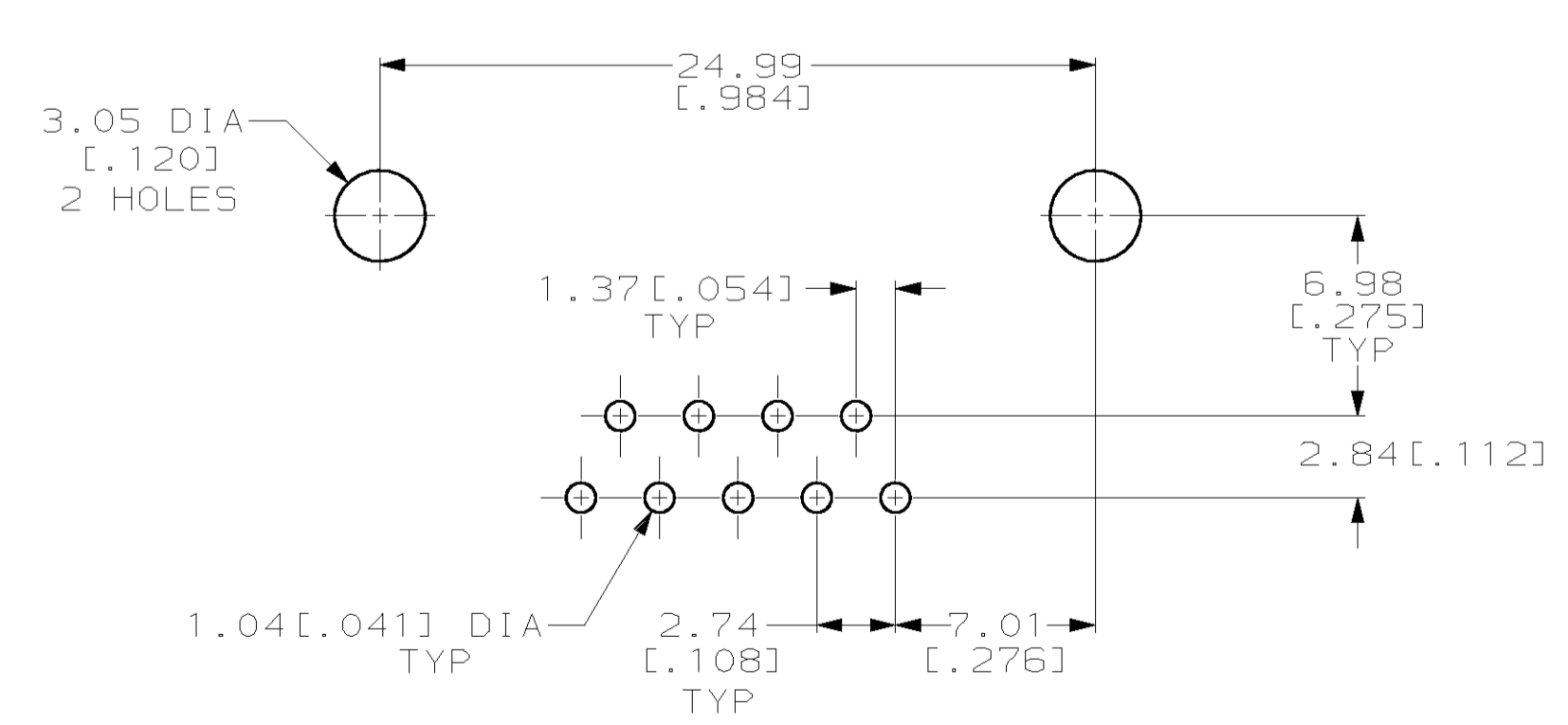
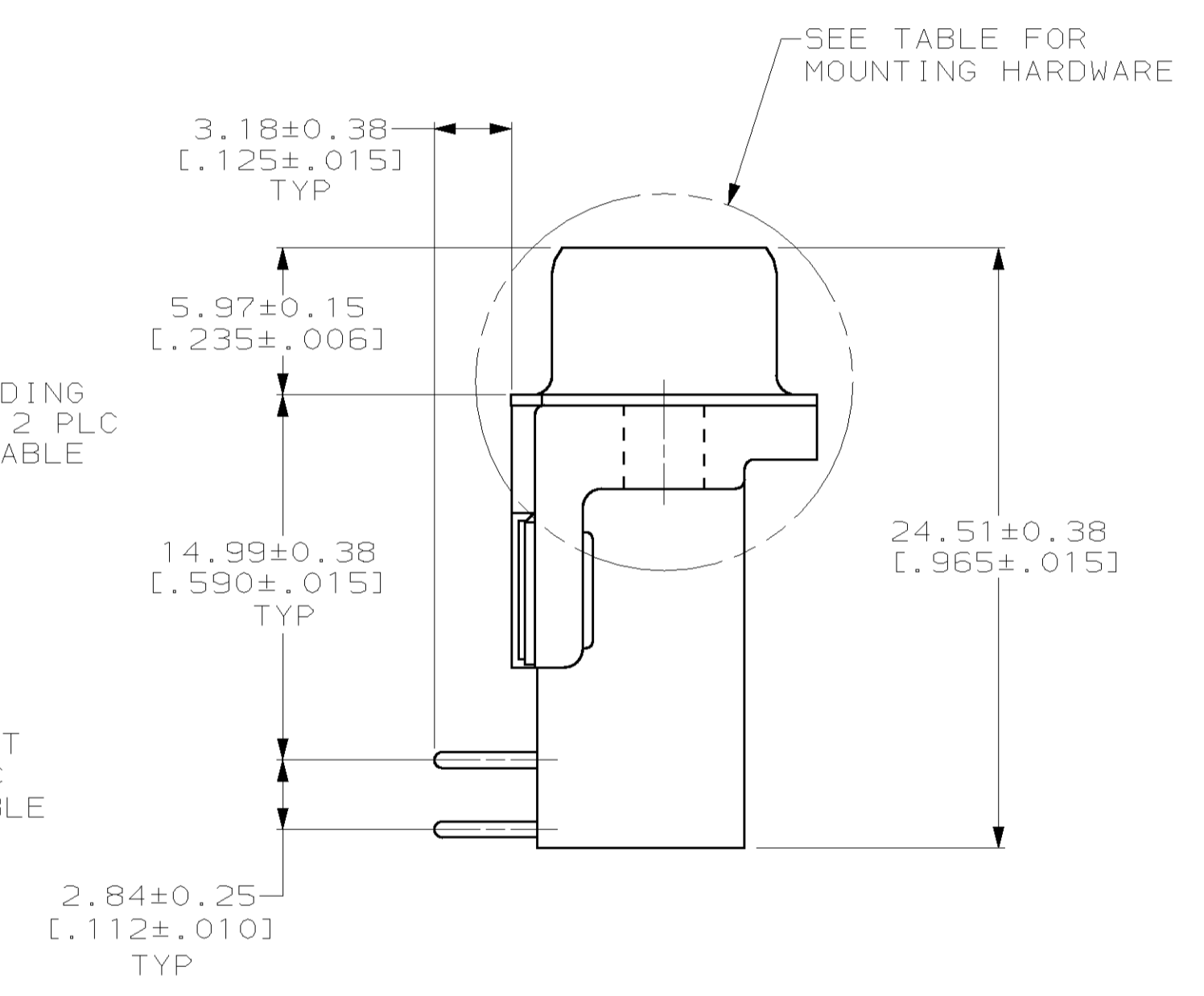
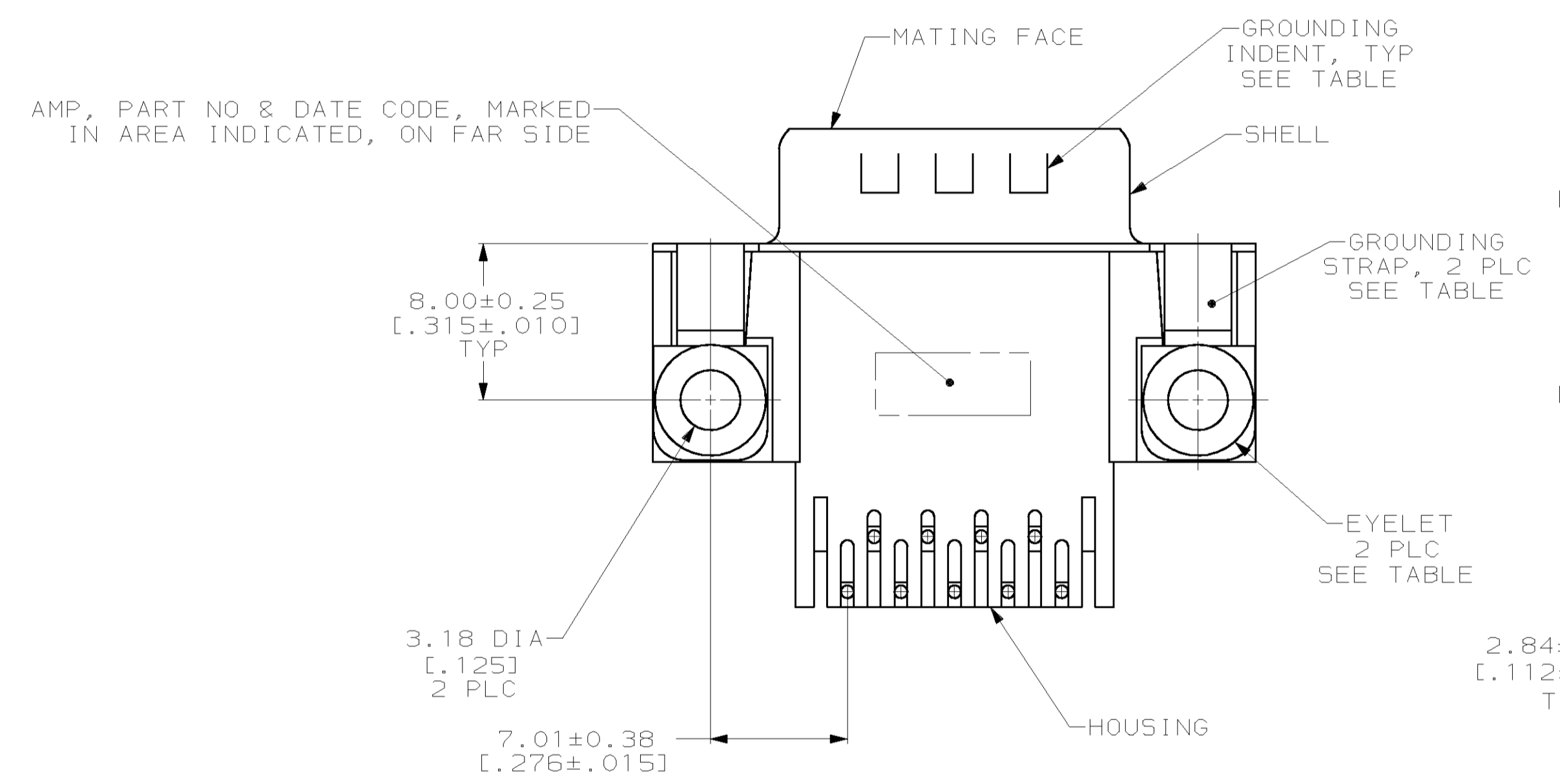
Email & Skype: info@chipsmall.com Web: www.chipsmall.com

Address: A1208, Overseas Decoration Building, #122 Zhenhua RD., Futian, Shenzhen, China

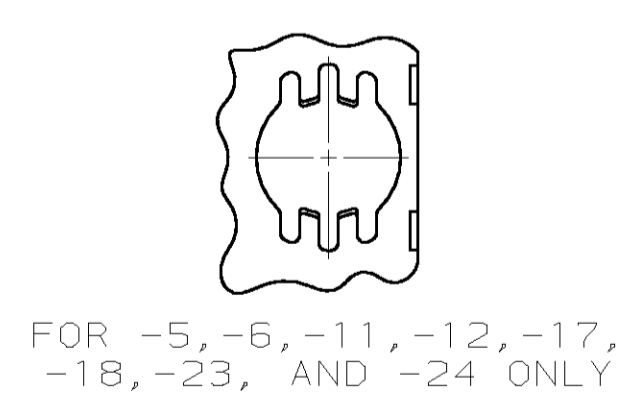




DETAIL B

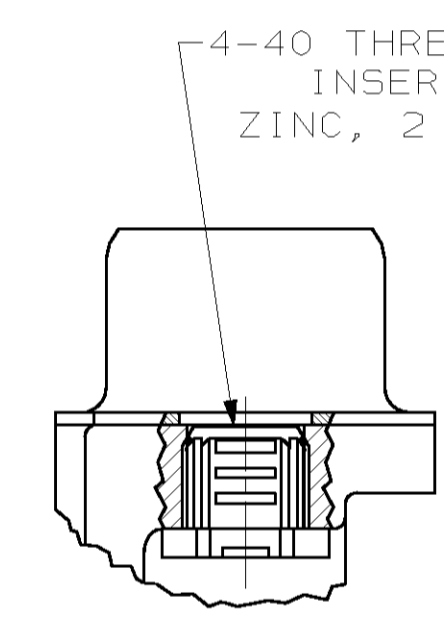


P.C. BOARD MOUNTING DIMENSIONS

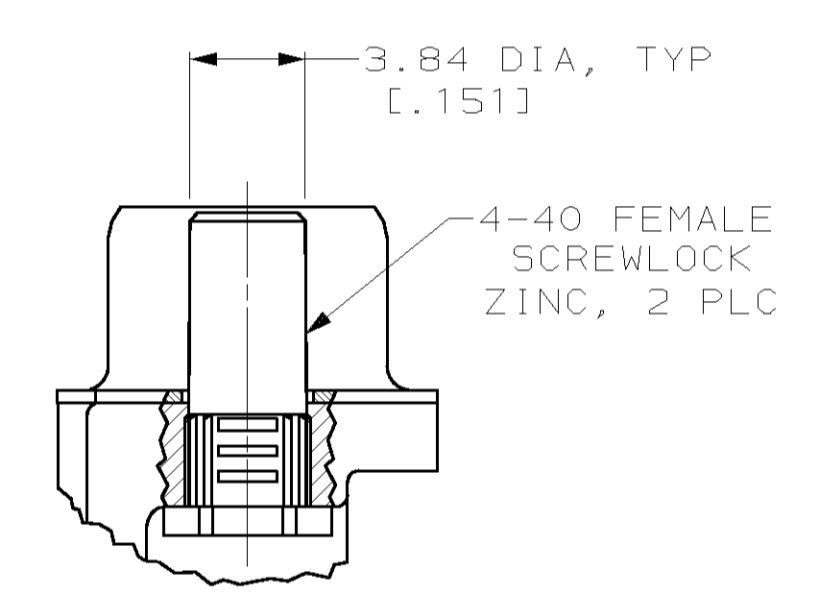


DETAIL F
2 PLC

- 1 NYLON OR POLYESTER, FLAME RETARDANT, UL 94V-0 RATED, GLASS FILLED, BLACK.
- 2 BRASS PER MIL-C-50.
- 3 CARBON STEEL PER ASTM A109.
- 4 GOLD PLATING PER MIL-G-45204; NICKEL PLATING PER QQ-N-290; TIN PLATING PER MIL-T-10727; COPPER PLATING PER MIL-C-14550.
- 5 2.54µm [.000100] MIN TIN OVER 1.27µm [.000050] MIN COPPER.
- 6 5.08µm [.000200] MIN TIN OVER COPPER FLASH.
- 7 GOLD PLATED FOR LENGTH OF 3.83 [.150] MIN FROM MATING END, GOLD FLASH IN MATED AREA, 2.54µm [.000100] MIN TIN OR TIN-LEAD FOR A LENGTH OF 3.56 [.140] MIN FROM OPPOSITE END, BOTH OVER 1.27µm [.000050] MIN NICKEL.
- 8 GOLD PLATED FOR LENGTH OF 3.81 [.150] MIN FROM MATING END, 0.76µm [.000030] MIN GOLD IN MATED AREA, 2.54µm [.000100] MIN TIN OR TIN-LEAD FOR A LENGTH OF 3.56 [.140] MIN FROM OPPOSITE END, BOTH OVER 1.27µm [.000050] MIN NICKEL.
- 9 OBSOLETE PART NUMBER.
- 10 SUPERSEDED BY 747832-4.
- 11 SUPERSEDED BY 747832-6.



DETAIL D



DETAIL E

GROUNDING INDENTS	GROUNDING STRAPS	EYELETS	MOUNTING HARDWARE	CONTACT FINISH	PART NUMBER
NO	NO	NO	SEE DETAIL E	8	2-745990-4
			SEE DETAIL D	7	2-745990-3
			-	8	2-745990-2
			-	8	2-745990-1
YES	YES	YES	SEE DETAIL E	8	2-745990-0
			SEE DETAIL D	8	1-745990-9
			-	8	1-745990-8
			-	8	1-745990-7
YES	YES	YES	SEE DETAIL E	8	1-745990-6
			SEE DETAIL D	8	1-745990-5
			-	8	1-745990-4
			-	8	1-745990-3
YES	NO	NO	SEE DETAIL E	8	1-745990-2
			SEE DETAIL D	8	1-745990-1
			-	8	1-745990-0
			-	8	745990-9
YES	YES	YES	SEE DETAIL E	8	745990-8
			SEE DETAIL D	8	745990-7
			-	8	745990-6
			-	8	745990-5
YES	YES	YES	SEE DETAIL E	8	745990-4
			SEE DETAIL D	8	745990-3
			-	8	745990-2
			-	8	745990-1

THIS DRAWING IS A CONTROLLED DOCUMENT. DWG: W.G. LENKER 16 OCT 89, CHK: R. STONE 05 FEB 90, APVD: M.D. GALLOWAY 06 FEB 90, NAME: AMP INCORPORATED, HARRISBURG, PA 17105-3608

DIMENSIONS: mm [INCHES]	TOLERANCES UNLESS OTHERWISE SPECIFIED:	PRODUCT SPEC: 108-40025	APPLICATION SPEC: 114-40010
0 PLC ±.05	1 PLC ±.05	2 PLC ±.05	3 PLC ±.05
4 PLC ±.05	5 PLC ±.05	6 PLC ±.05	7 PLC ±.05
8 PLC ±.05	9 PLC ±.05	10 PLC ±.05	11 PLC ±.05

MATERIAL: HOUSING: 1, SHELL: 2, EYELETS: 3, CONTACTS: 4, FINISH: 5, CONTACTS: SEE TABLE, SHELL: 6, EYELETS: 7

WEIGHT: -

CUSTOMER DRAWING

SCALE: 4:1, SHEET: 1 OF 1, REV: N