



Chipsmall Limited consists of a professional team with an average of over 10 year of expertise in the distribution of electronic components. Based in Hongkong, we have already established firm and mutual-benefit business relationships with customers from,Europe,America and south Asia,supplying obsolete and hard-to-find components to meet their specific needs.

With the principle of “Quality Parts,Customers Priority,Honest Operation,and Considerate Service”,our business mainly focus on the distribution of electronic components. Line cards we deal with include Microchip,ALPS,ROHM,Xilinx,Pulse,ON,Everlight and Freescale. Main products comprise IC,Modules,Potentiometer,IC Socket,Relay,Connector.Our parts cover such applications as commercial,industrial, and automotives areas.

We are looking forward to setting up business relationship with you and hope to provide you with the best service and solution. Let us make a better world for our industry!



Contact us

Tel: +86-755-8981 8866 Fax: +86-755-8427 6832

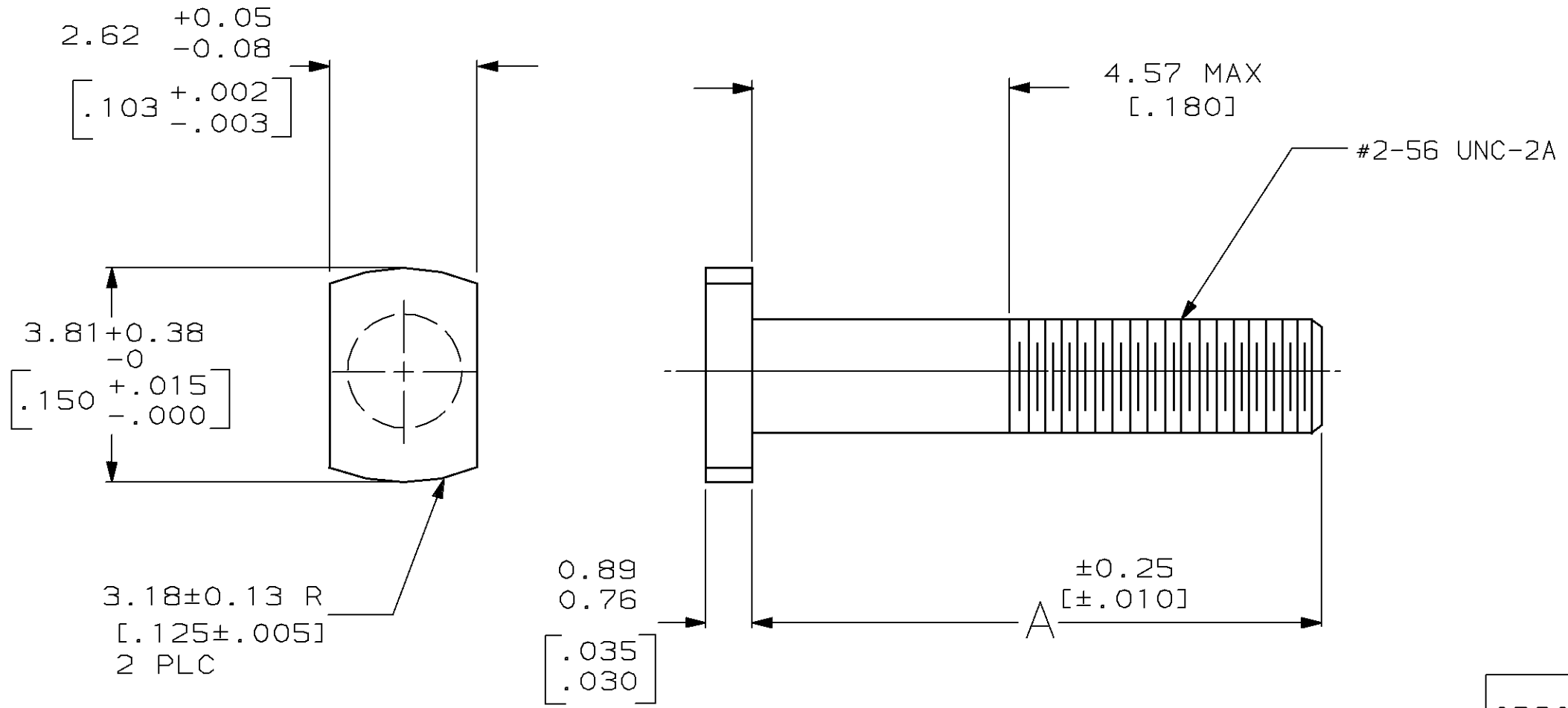
Email & Skype: info@chipsmall.com Web: www.chipsmall.com

Address: A1208, Overseas Decoration Building, #122 Zhenhua RD., Futian, Shenzhen, China



THIS DRAWING IS UNPUBLISHED.
 © COPYRIGHT 19 AMP INCORPORATED. ALL INTERNATIONAL RIGHTS RESERVED.

| LOC | DIST | P | F | ZONE | LTR | DESCRIPTION | DATE | APPD |
|-----|------|---|---|------|-----|----------------------------------|----------|------|
| AR | 39 | | | | D | REV & REDRAWN PER EC 0020-361-93 | 08/09/93 | - |
| | | | | | E | OBS -2 PER EC 0020-0941-93 | 03/17/94 | RK |



| | | |
|----------|-----------------|----------|
| OBSOLETE | 16.51 [.650] | 746383-2 |
| | 10.16 [.400] | 746383-1 |
| | A | PART NO |

THIS DRAWING IS A CONTROLLED DOCUMENT FOR AMP INCORPORATED. IT IS SUBJECT TO CHANGE AND THE CONTROLLING ENGINEERING ORGANIZATION SHOULD BE CONTACTED FOR THE LATEST REVISION.

| | | |
|---|---------------------------|--|
| DO NOT SCALE PRINT. UNLESS SPECIFIED DIMENSIONS IN mm [INCHES] TOLERANCES ON: 2 PLC DEC ± - 3 PLC DEC ± - ANGLES ± - | DR 08/10/93 T. SMITH | AMP AMP Incorporated Harrisburg, PA 17105-3608 |
| | CHK 08/10/93 W. LENKER | |
| | APPD 08/10/93 R. KILE | |
| | APPD 08/10/93 R. KILE | |
| MATERIAL STAINLESS STEEL | PRODUCT SPEC - | NAME MOUNTING SCREW, UNIVERSAL HEADER |
| FINISH PASSIVATED | APPLICATION SPEC - | SIZE B |
| | WEIGHT - | CAGE CODE 00779 |
| | | DRAWING NO C=746383 |
| | | SCALE 10:1 |
| | | SHEET 1 OF 1 |