



Chipsmall Limited consists of a professional team with an average of over 10 year of expertise in the distribution of electronic components. Based in Hongkong, we have already established firm and mutual-benefit business relationships with customers from,Europe,America and south Asia,supplying obsolete and hard-to-find components to meet their specific needs.

With the principle of “Quality Parts,Customers Priority,Honest Operation,and Considerate Service”,our business mainly focus on the distribution of electronic components. Line cards we deal with include Microchip,ALPS,ROHM,Xilinx,Pulse,ON,Everlight and Freescale. Main products comprise IC,Modules,Potentiometer,IC Socket,Relay,Connector.Our parts cover such applications as commercial,industrial, and automotives areas.

We are looking forward to setting up business relationship with you and hope to provide you with the best service and solution. Let us make a better world for our industry!



Contact us

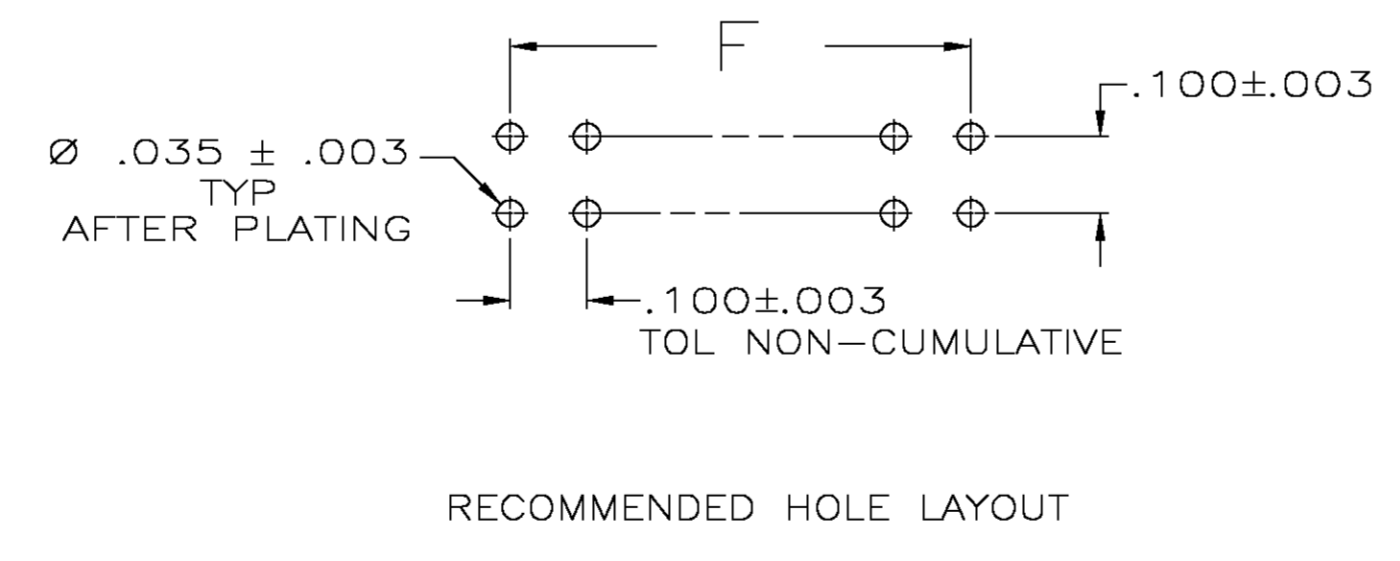
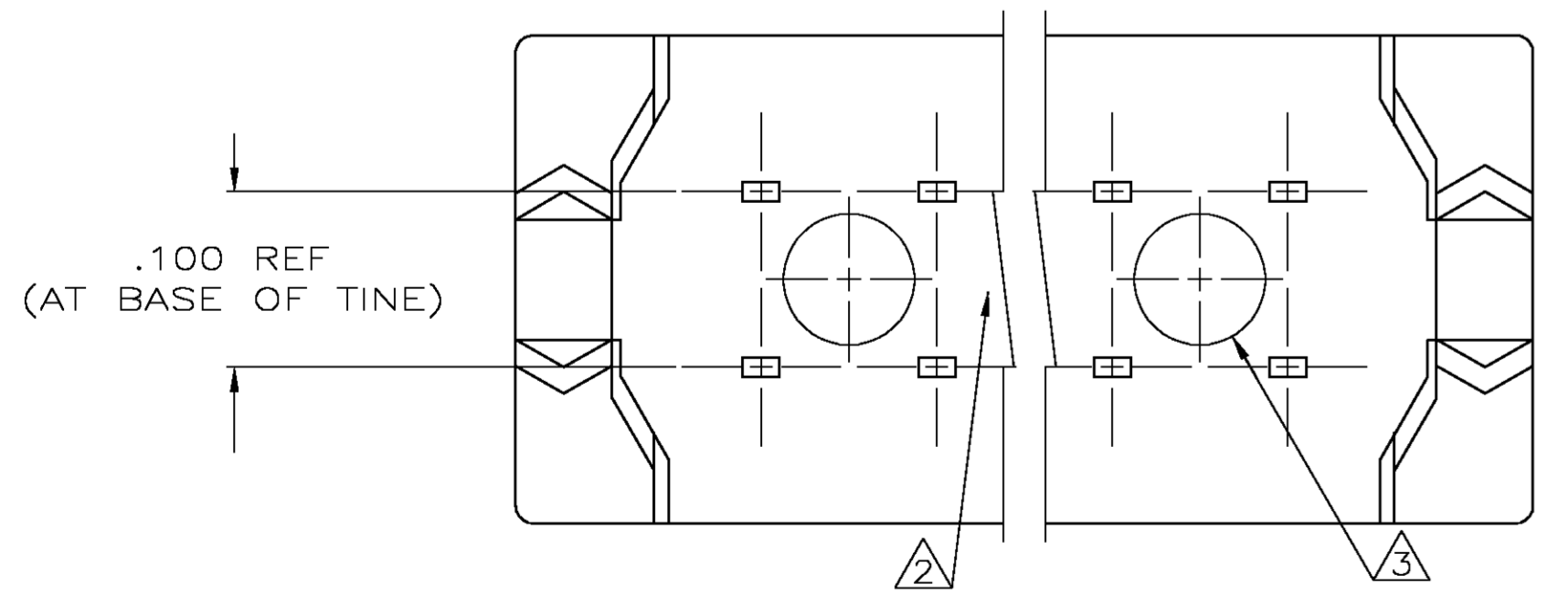
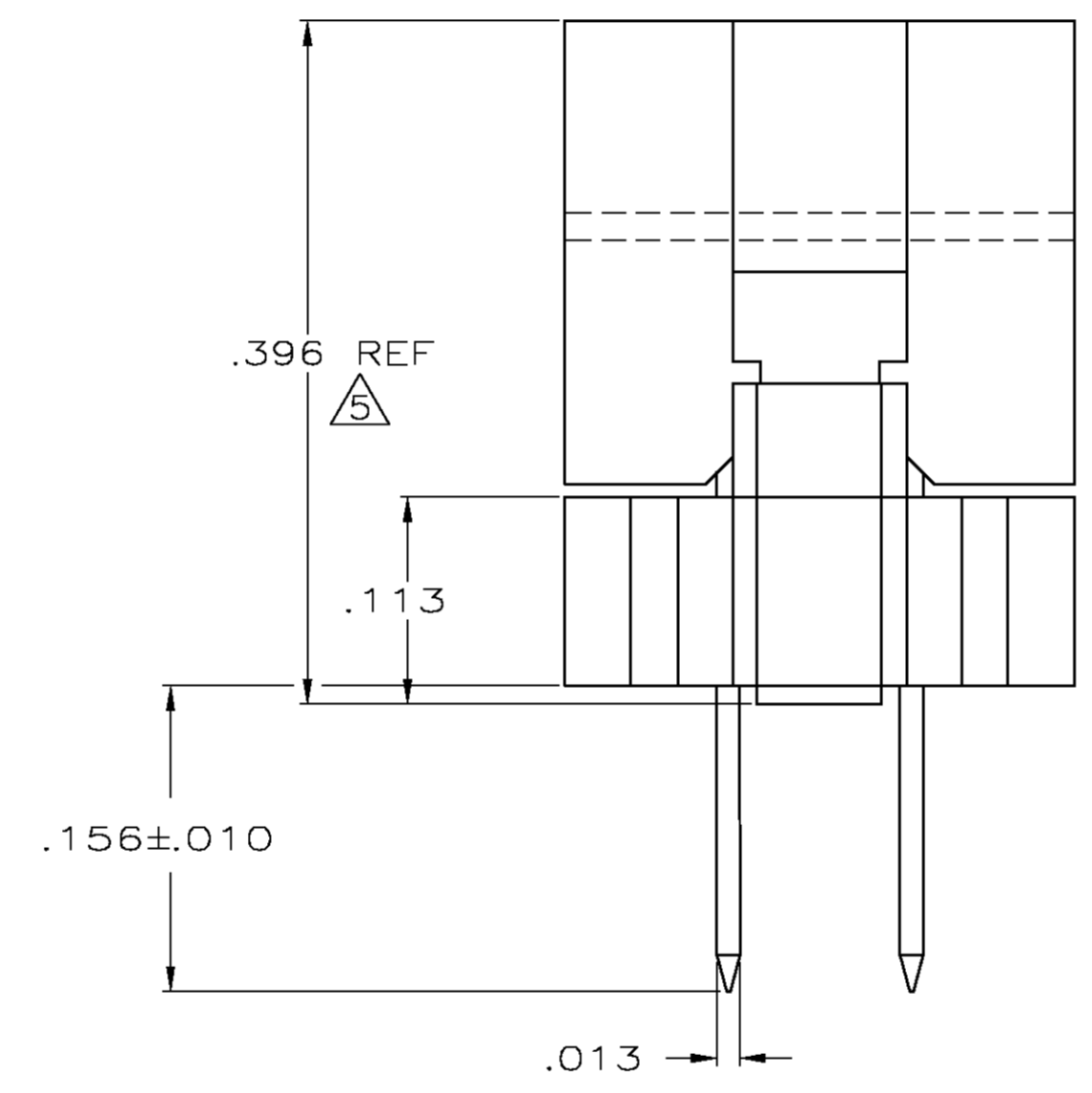
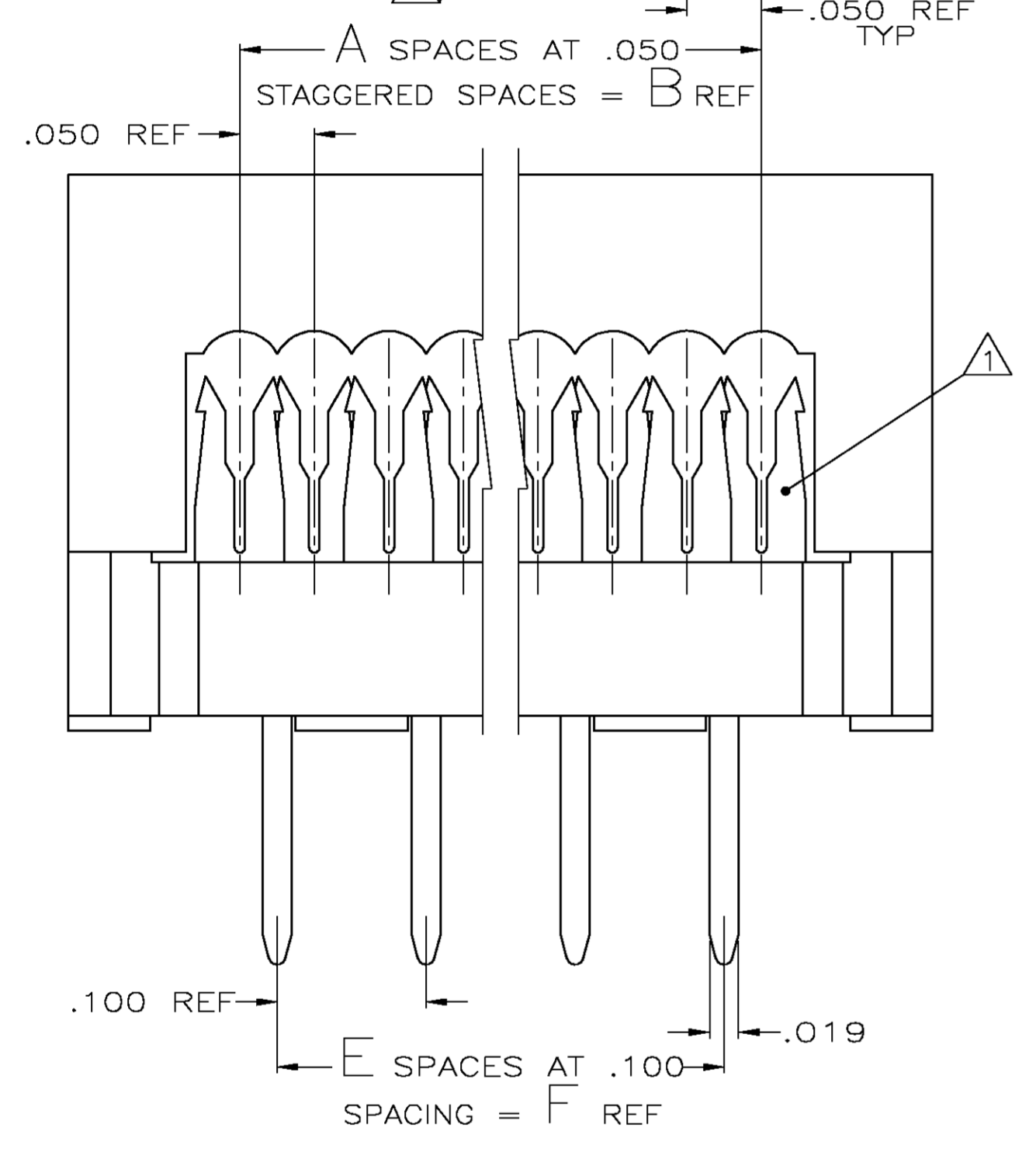
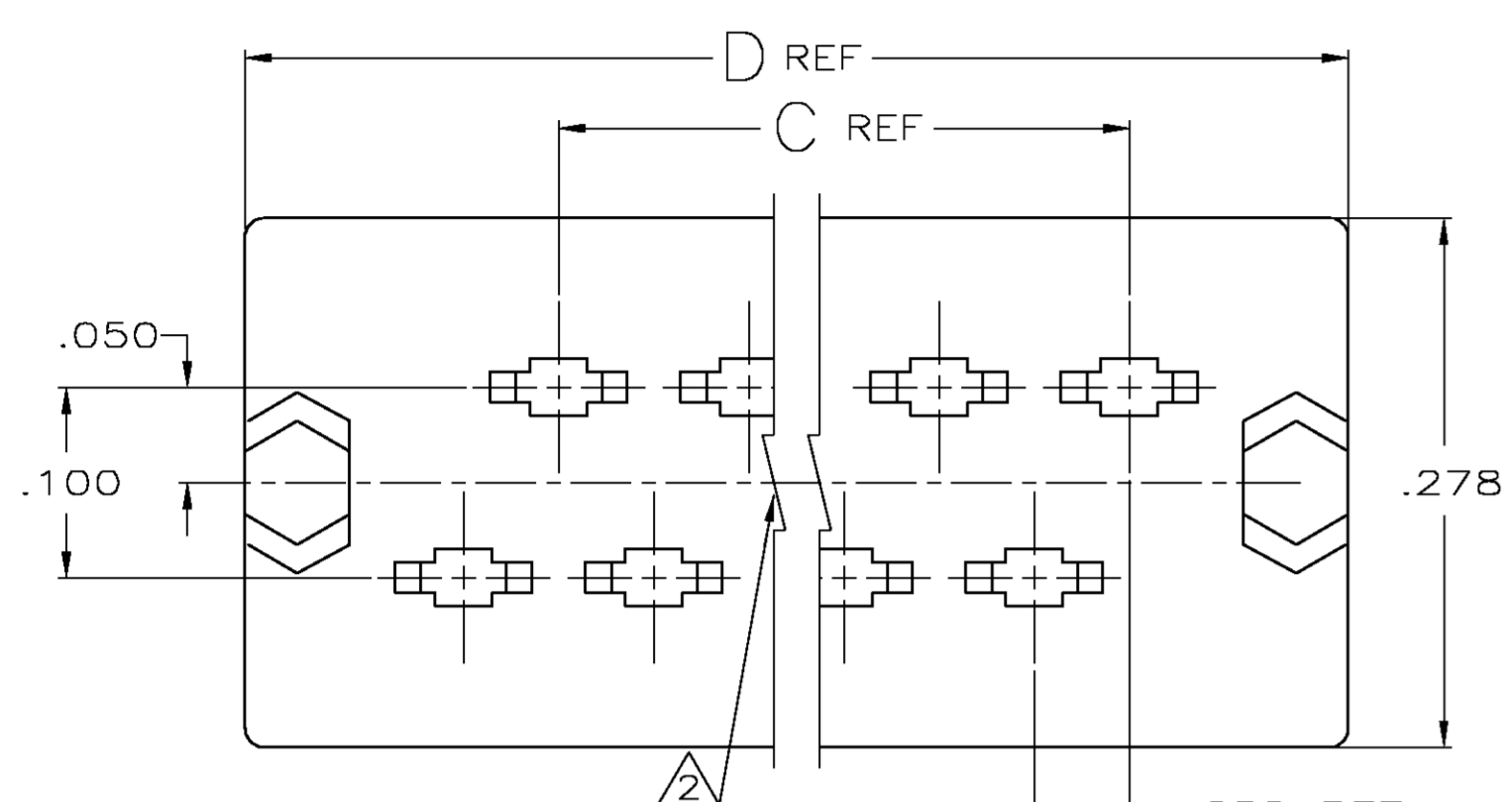
Tel: +86-755-8981 8866 Fax: +86-755-8427 6832

Email & Skype: info@chipsmall.com Web: www.chipsmall.com

Address: A1208, Overseas Decoration Building, #122 Zhenhua RD., Futian, Shenzhen, China



LOC		DIST		REVISIONS				
F	LHR	DESCRIPTION	DATE	DWN	APVD			
F		REVISED PER EC OS13-0277-04	11-29-04	LV	JG			



- △ CONTACTS DESIGNED FOR 28 AWG STRANDED OR 26,28, & 30 AWG SOLID WIRE.
- △ AMP TRADEMARK LOCATED IN APPROX AREA SHOWN.
- △ STANDOFFS: POS 10 (2) STANDOFFS AS SHOWN.
 14-16 (3) STANDOFFS, (1) CENTERED BETWEEN (2) SHOWN
 20-26 (4) (2)
 30 (5) (3)
 34 (6) (4)
 40-44 (7) (5)
 50 (8) (6)
 60 (9) (7)
 64 (10) (8)
- △ .000100-.000200 BRIGHT TIN LEAD, ALL OVER .000050 NICKEL.
- △ HEIGHT AFTER TERMINATION IS .253 REF.
- △ .000100-.000200 MATTE TIN, ALL OVER .000050 NICKEL.
- △ MOLDED PARTS, 94V-0 RATED THERMOPLASTIC, COLOR: BLACK.
 CONTACTS: PHOS BRONZE.

△6	2.100	21	2.380	2.100	2.150	43	44	2-746610-6
△6	3.100	31	3.380	3.100	3.150	63	64	2- -5
△6	2.900	29	3.180	2.900	2.950	59	60	2- -4
△6	1.100	11	1.380	1.100	1.150	23	24	2- -3
△6	.600	6	.880	.600	.650	13	14	2- -2
△6	.400	4	.680	.400	.450	9	10	2- -1
△6	2.400	24	2.680	2.400	2.450	49	50	2- -0
△6	1.900	19	2.180	1.900	1.950	39	40	1- -9
△6	1.600	16	1.880	1.600	1.650	33	34	1- -8
△6	1.400	14	1.680	1.400	1.450	29	30	1- -7
△6	1.200	12	1.480	1.200	1.250	25	26	1- -6
△6	.900	9	1.180	.900	.950	19	20	1- -5
△6	.700	7	.980	.700	.750	15	16	1- -4
△4	2.100	21	2.380	2.100	2.150	43	44	1- -3
△4	3.100	31	3.380	3.100	3.150	63	64	1- -2
△4	2.900	29	3.180	2.900	2.950	59	60	1- -1
△4	2.400	24	2.680	2.400	2.450	49	50	1- -0
△4	1.900	19	2.180	1.900	1.950	39	40	1- -9
△4	1.600	16	1.880	1.600	1.650	33	34	1- -8
△4	1.400	14	1.680	1.400	1.450	29	30	1- -7
△4	1.200	12	1.480	1.200	1.250	25	26	1- -6
△4	1.100	11	1.380	1.100	1.150	23	24	1- -5
△4	.900	9	1.180	.900	.950	19	20	1- -4
△4	.700	7	.980	.700	.750	15	16	1- -3
△4	.600	6	.880	.600	.650	13	14	1- -2
△4	.400	4	.680	.400	.450	9	10	746610 -1
CONTACT FINISH	F	E	D	C	B	A	NO OF POSN	PART NO

THIS DRAWING IS A CONTROLLED DOCUMENT.		DWN 11-29-96 L VARELA - DOCKS		Tyco Electronics Corporation Harrisburg, PA 17105-3608	
DIMENSIONS: INCHES		TOLERANCES UNLESS OTHERWISE SPECIFIED:		APVD M WALSLEY 11-29-04	
0 PLC ± -	1 PLC ± -	2 PLC ± -	3 PLC ± .005	NAME KIT, AMP-LATCH DIP PLUG, PREASSEMBLED, .100 X .100 CENTERS, FULL TIN PLATED CONTACTS	
4 PLC ± -	ANGLES ± -	APPLICATION SPEC 108-40013		SIZE A1	
MATERIAL △		FINISH CONTACTS: SEE TABLE		DRAWING NO 114-40005	
WEIGHT -		CAGE CODE 00779		DRAWING NO 746610	
CUSTOMER DRAWING		SCALE NTS		SHEET 1 OF 1	