



Chipsmall Limited consists of a professional team with an average of over 10 year of expertise in the distribution of electronic components. Based in Hongkong, we have already established firm and mutual-benefit business relationships with customers from,Europe,America and south Asia,supplying obsolete and hard-to-find components to meet their specific needs.

With the principle of “Quality Parts,Customers Priority,Honest Operation,and Considerate Service”,our business mainly focus on the distribution of electronic components. Line cards we deal with include Microchip,ALPS,ROHM,Xilinx,Pulse,ON,Everlight and Freescale. Main products comprise IC,Modules,Potentiometer,IC Socket,Relay,Connector.Our parts cover such applications as commercial,industrial, and automotives areas.

We are looking forward to setting up business relationship with you and hope to provide you with the best service and solution. Let us make a better world for our industry!



Contact us

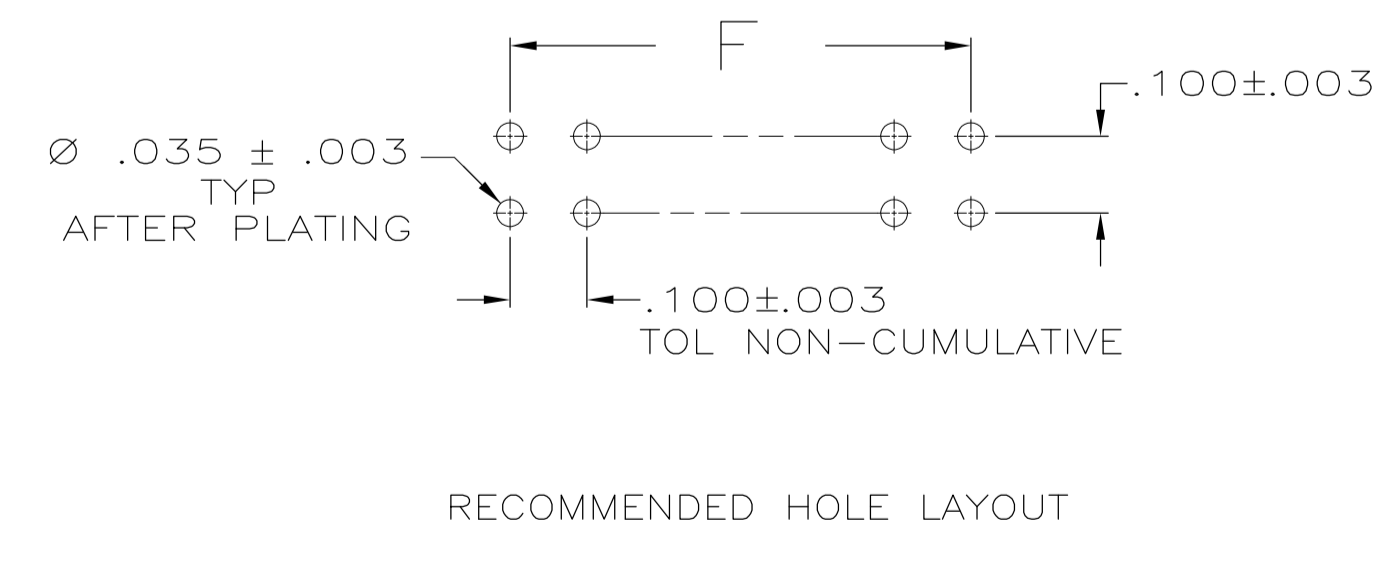
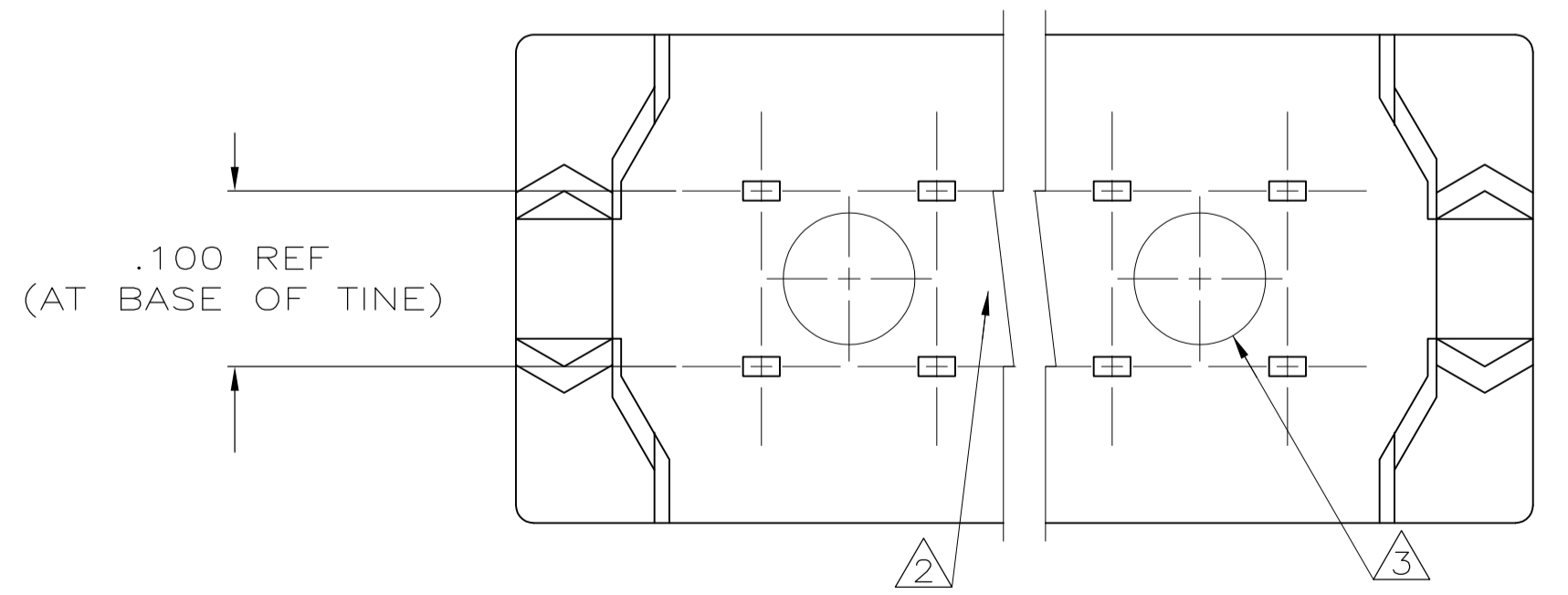
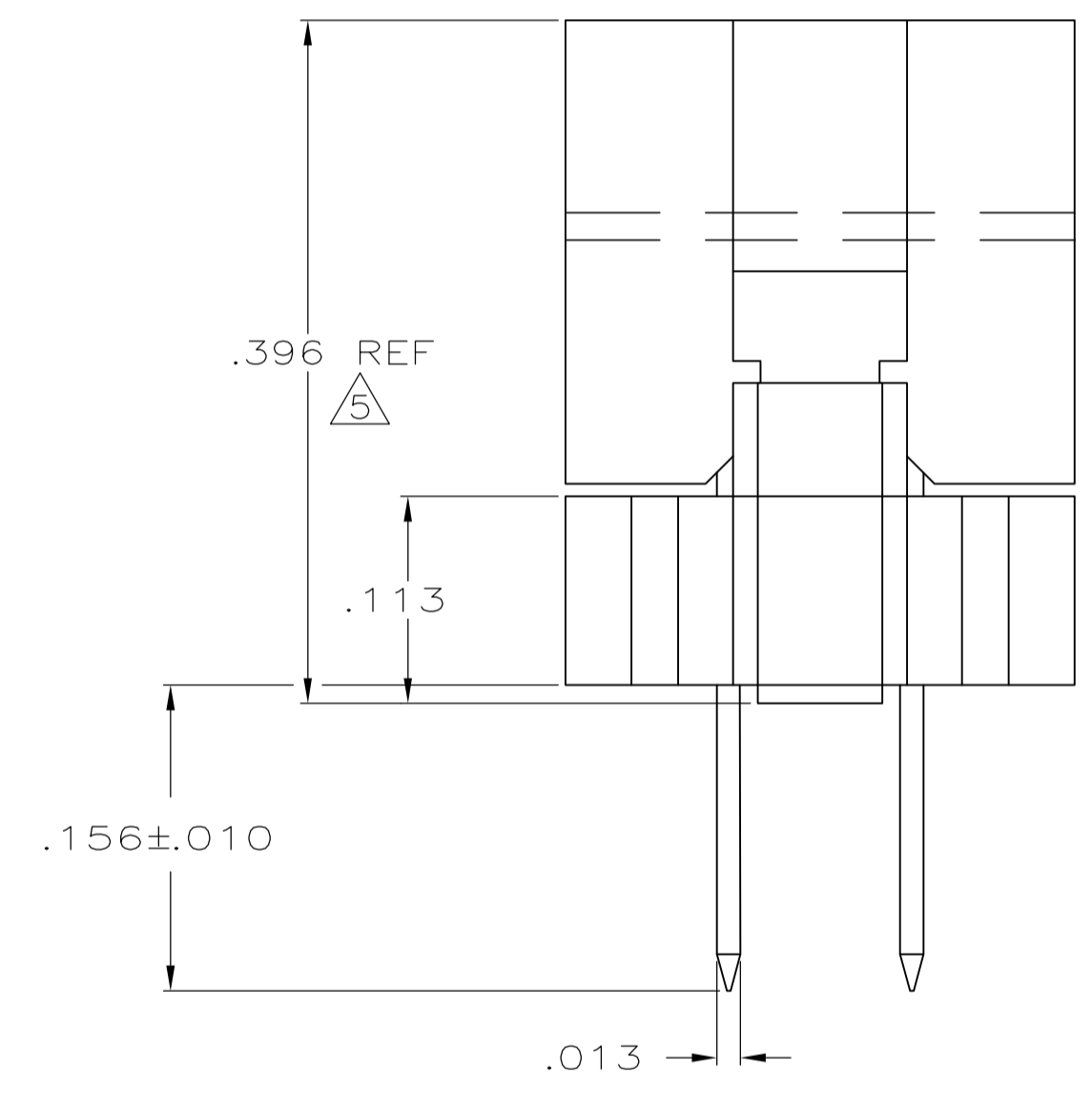
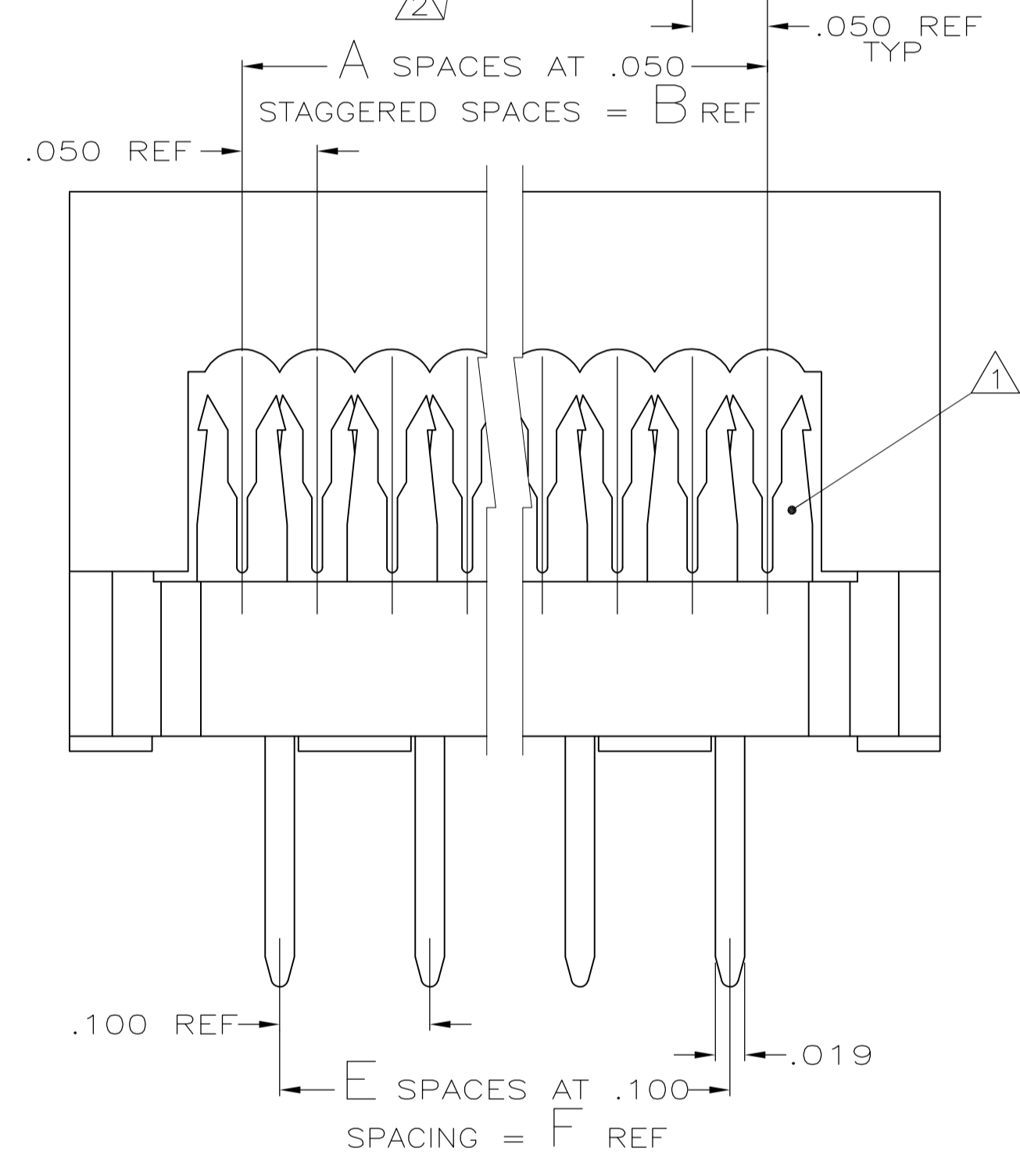
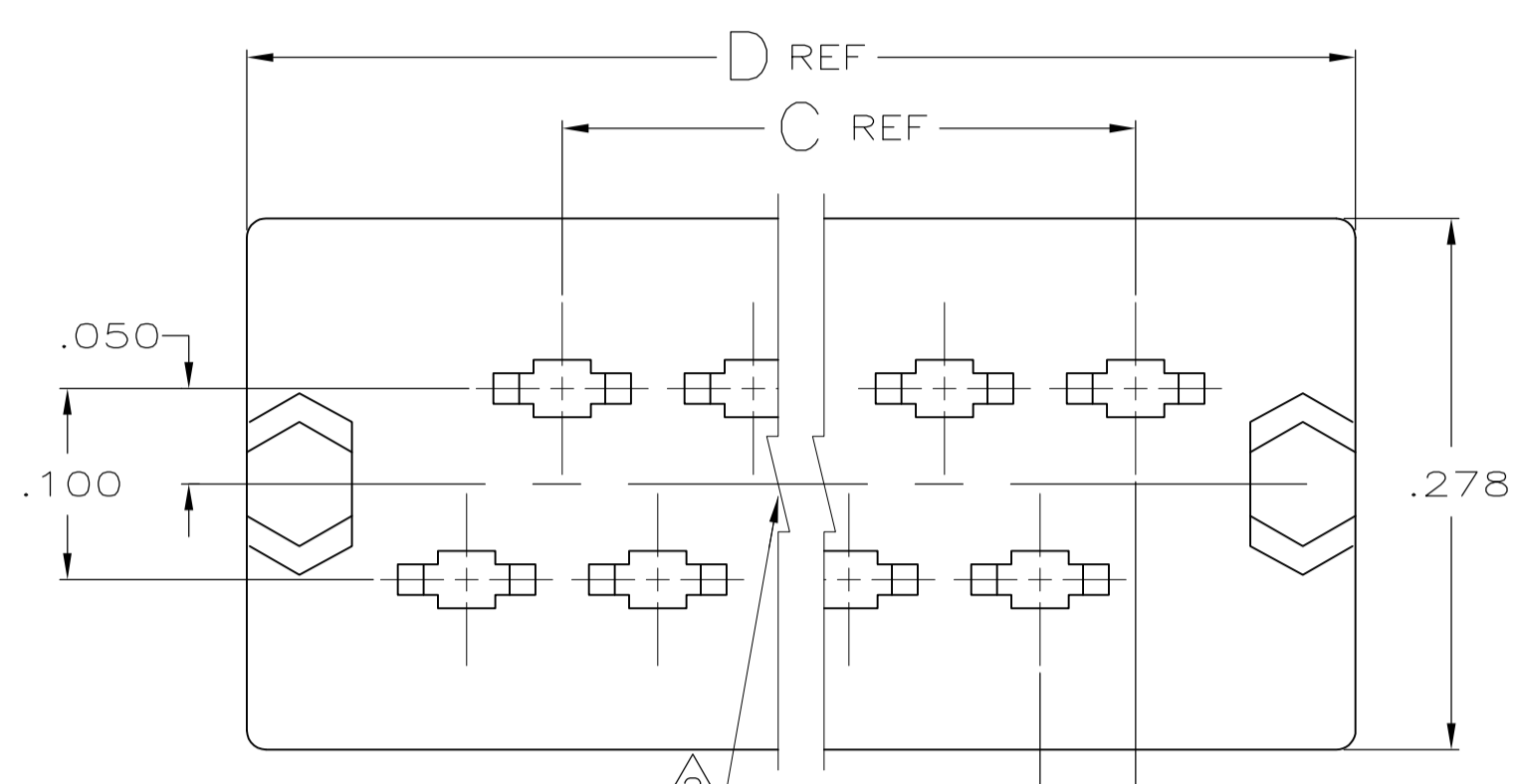
Tel: +86-755-8981 8866 Fax: +86-755-8427 6832

Email & Skype: info@chipsmall.com Web: www.chipsmall.com

Address: A1208, Overseas Decoration Building, #122 Zhenhua RD., Futian, Shenzhen, China



- ⚠ CONTACTS DESIGNED FOR 26 & 28 AWG STRANDED OR 26, 28, & 30 AWG SOLID WIRE.
- ⚠ AMP TRADEMARK LOCATED IN APPROX AREA SHOWN.
- ⚠ STANDOFFS: POS 10 (2) STANDOFFS AS SHOWN.
 14-16 (3) STANDOFFS, (1) CENTERED BETWEEN (2) SHOWN
 20-26 (4) (2)
 30 (5) (3)
 34 (6) (4)
 40-44 (7) (5)
 50 (8) (6)
 60 (9) (7)
 64 (10) (8)
- ⚠ .000100-.000200 BRIGHT TIN LEAD, ALL OVER .000050 NICKEL.
- ⚠ HEIGHT AFTER TERMINATION IS .253 REF.
- ⚠ .000005 MIN GOLD ON RIBBON CABLE TERMINATION AREA
 .000100-.000200 MIN MATTE TIN ON SOLDER TAILS, ALL OVER .000050 MIN NICKEL.
- ⚠ MOLDED PARTS, 94V-0 RATED THERMOPLASTIC, COLOR: BLACK. CONTACTS: PHOS BRONZE.



⚠	2.100	21	2.380	2.100	2.150	43	44	2-746610-6
⚠	3.100	31	3.380	3.100	3.150	63	64	2- -5
⚠	2.900	29	3.180	2.900	2.950	59	60	2- -4
⚠	1.100	11	1.380	1.100	1.150	23	24	2- -3
⚠	.600	6	.880	.600	.650	13	14	2- -2
⚠	.400	4	.680	.400	.450	9	10	2- -1
⚠	2.400	24	2.680	2.400	2.450	49	50	2- -0
⚠	1.900	19	2.180	1.900	1.950	39	40	1- -9
⚠	1.600	16	1.880	1.600	1.650	33	34	1- -8
⚠	1.400	14	1.680	1.400	1.450	29	30	1- -7
⚠	1.200	12	1.480	1.200	1.250	25	26	1- -6
⚠	.900	9	1.180	.900	.950	19	20	1- -5
⚠	.700	7	.980	.700	.750	15	16	1- -4
OBSOLETE	2.100	21	2.380	2.100	2.150	43	44	1- -3
OBSOLETE	3.100	31	3.380	3.100	3.150	63	64	1- -2
OBSOLETE	2.900	29	3.180	2.900	2.950	59	60	1- -1
OBSOLETE	2.400	24	2.680	2.400	2.450	49	50	1- -0
⚠	1.900	19	2.180	1.900	1.950	39	40	1- -9
⚠	1.600	16	1.880	1.600	1.650	33	34	1- -8
OBSOLETE	1.400	14	1.680	1.400	1.450	29	30	1- -7
⚠	1.200	12	1.480	1.200	1.250	25	26	1- -6
OBSOLETE	1.100	11	1.380	1.100	1.150	23	24	1- -5
⚠	.900	9	1.180	.900	.950	19	20	1- -4
⚠	.700	7	.980	.700	.750	15	16	1- -3
⚠	.600	6	.880	.600	.650	13	14	1- -2
⚠	.400	4	.680	.400	.450	9	10	746610-1
CONTACT FINISH	F	E	D	C	B	A	NO OF POSN	PART NO

THIS DRAWING IS A CONTROLLED DOCUMENT.

DIMENSIONS: INCHES	TOLERANCES UNLESS OTHERWISE SPECIFIED:	DIN L VARELA - DOCKS 11-29-86	TE Connectivity
0 PLC ± -	1 PLC ± -	C. ROHDE 11-29-04	NAME
2 PLC ± -	3 PLC ± .005	M. WALMSLEY 11-29-04	KIT, AMP-LATCH DIP PLUG, PREASSEMBLED, .100 X .100 CENTERS.
4 PLC ± -	ANGLES ± -		PRODUCT SPEC 108-40013
MATERIAL	FINISH CONTACTS: SEE TABLE		APPLICATION SPEC 114-40005
			SIZE CAGE CODE DRAWING NO RESTRICTED TO
			A1 00779 746610
			WEIGHT
			CUSTOMER DRAWING SCALE NTS SHEET 1 OF 1 REV H1