



Chipsmall Limited consists of a professional team with an average of over 10 year of expertise in the distribution of electronic components. Based in Hongkong, we have already established firm and mutual-benefit business relationships with customers from,Europe,America and south Asia,supplying obsolete and hard-to-find components to meet their specific needs.

With the principle of “Quality Parts,Customers Priority,Honest Operation,and Considerate Service”,our business mainly focus on the distribution of electronic components. Line cards we deal with include Microchip,ALPS,ROHM,Xilinx,Pulse,ON,Everlight and Freescale. Main products comprise IC,Modules,Potentiometer,IC Socket,Relay,Connector.Our parts cover such applications as commercial,industrial, and automotives areas.

We are looking forward to setting up business relationship with you and hope to provide you with the best service and solution. Let us make a better world for our industry!



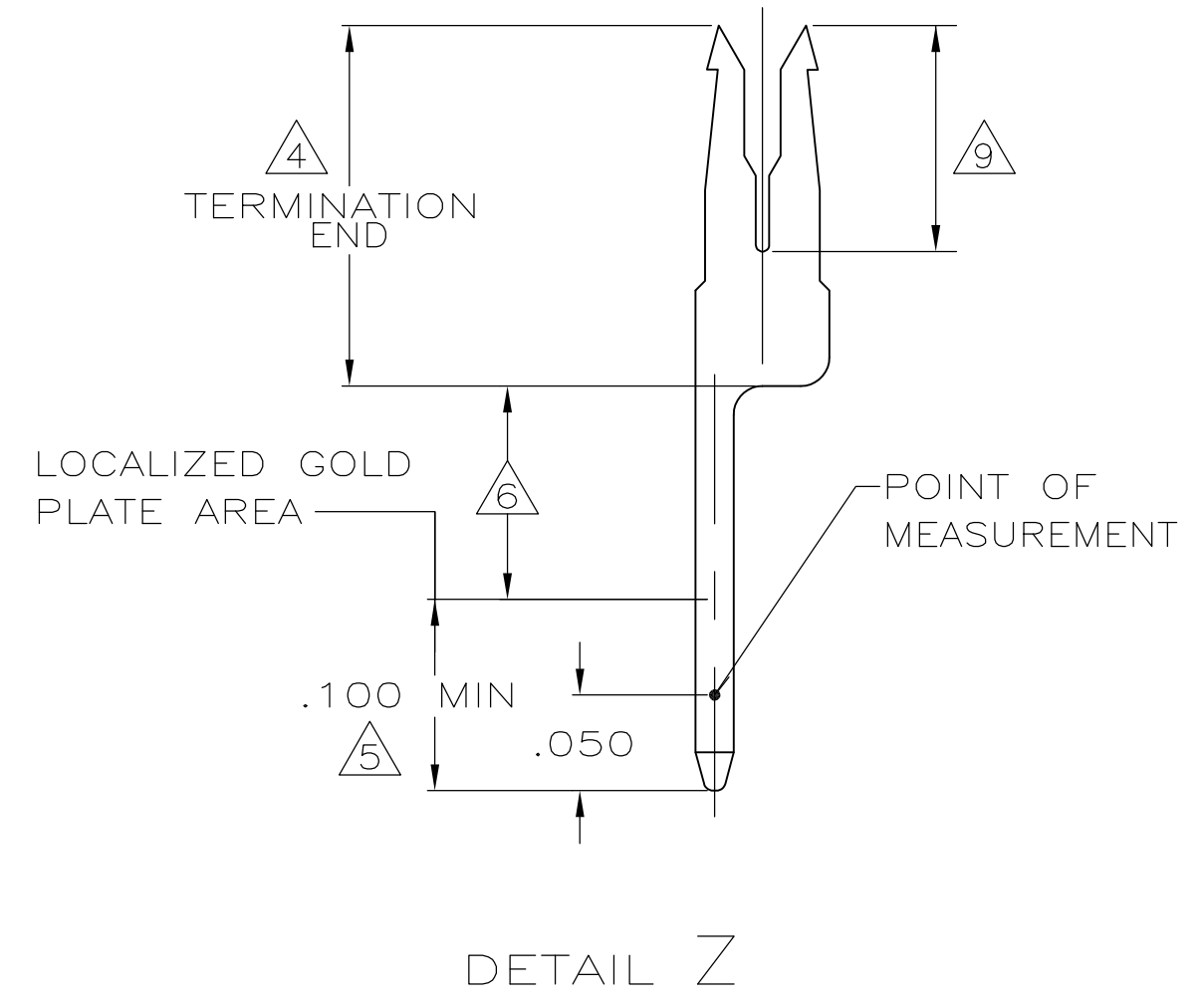
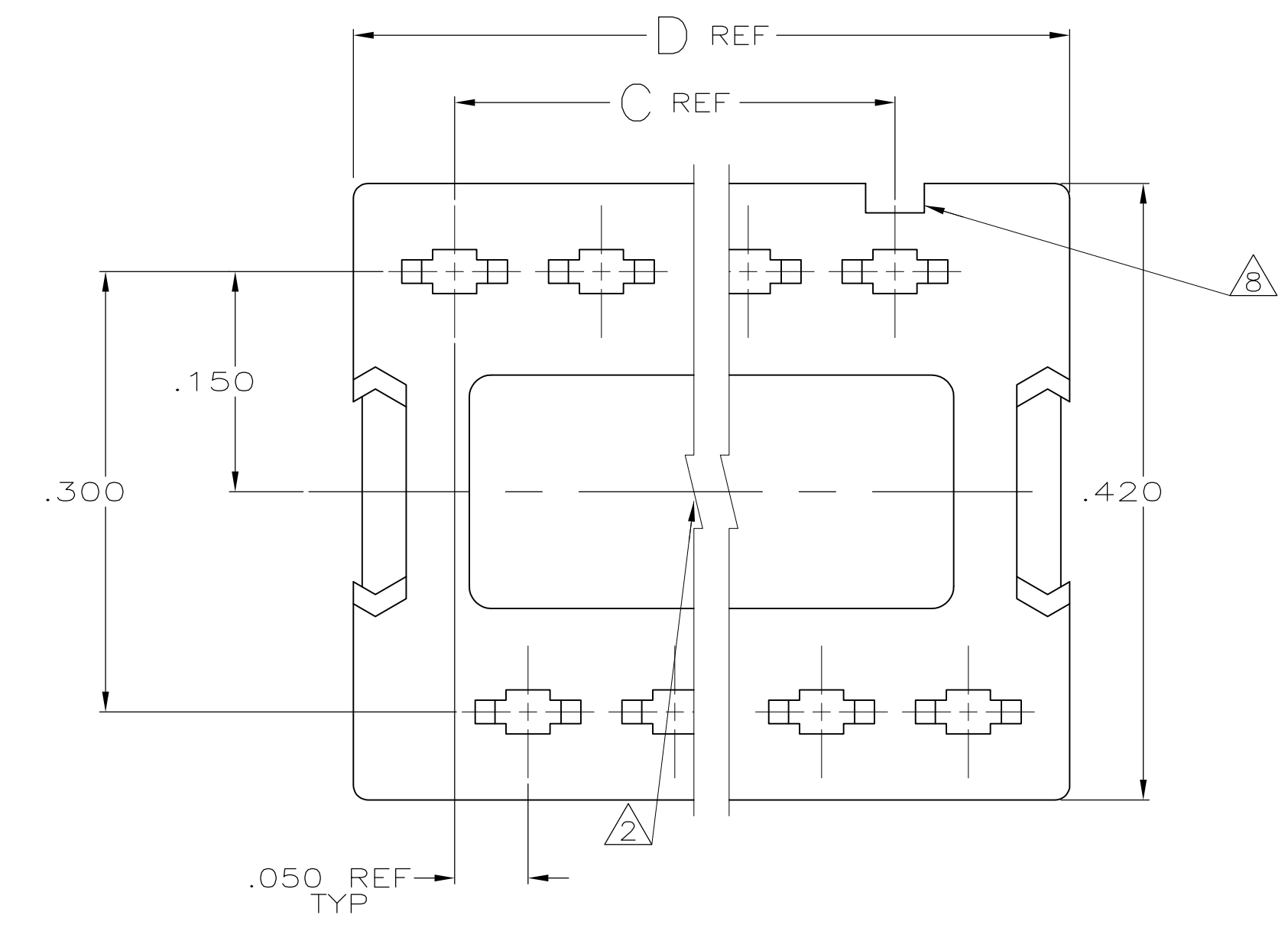
Contact us

Tel: +86-755-8981 8866 Fax: +86-755-8427 6832

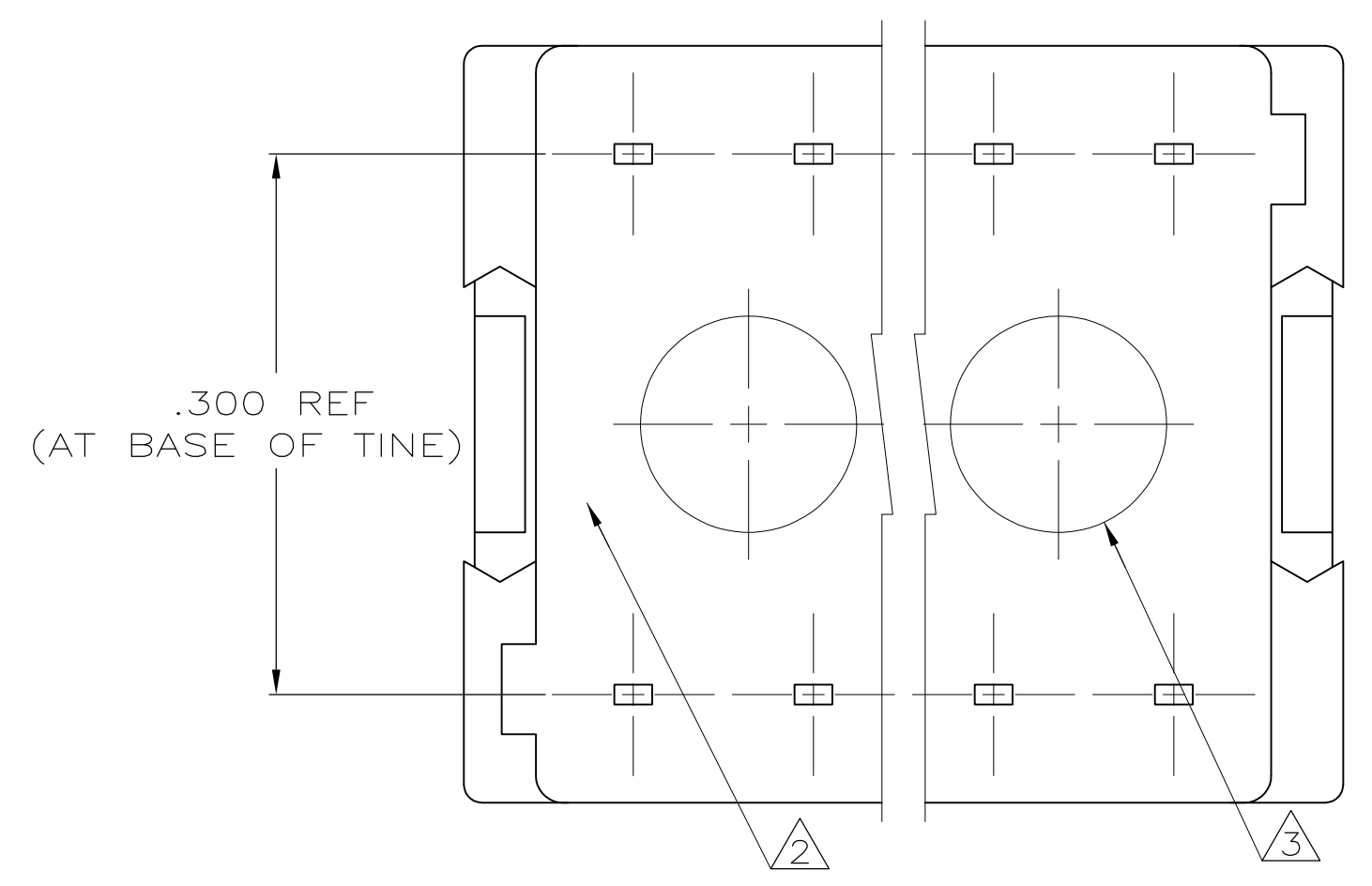
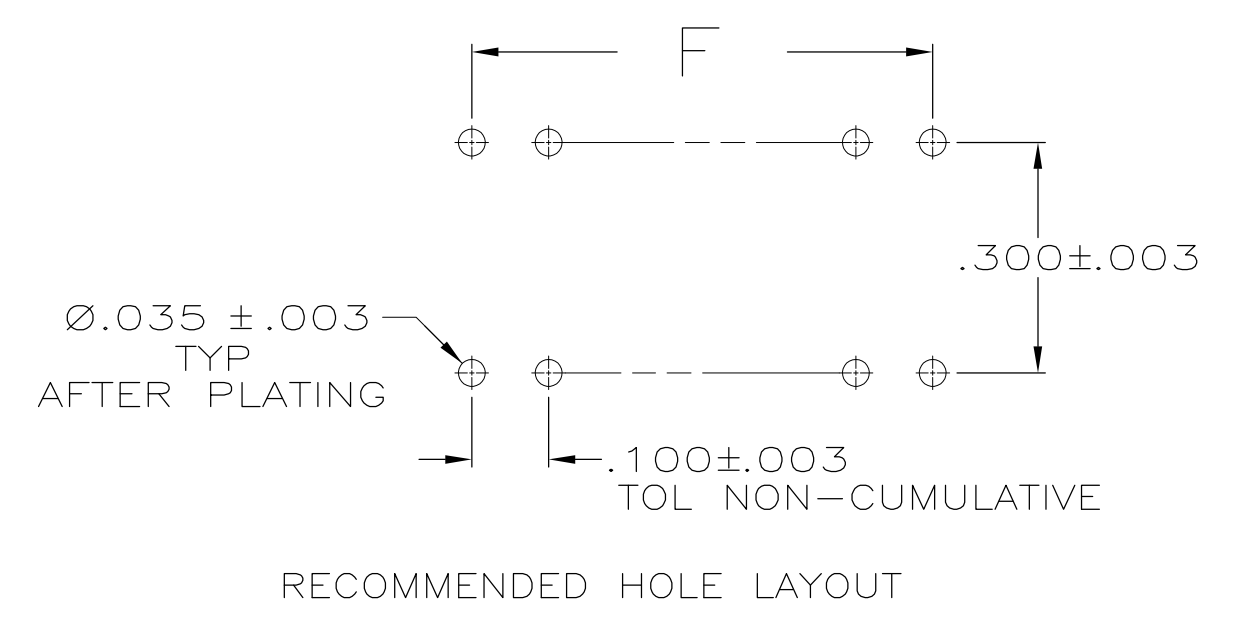
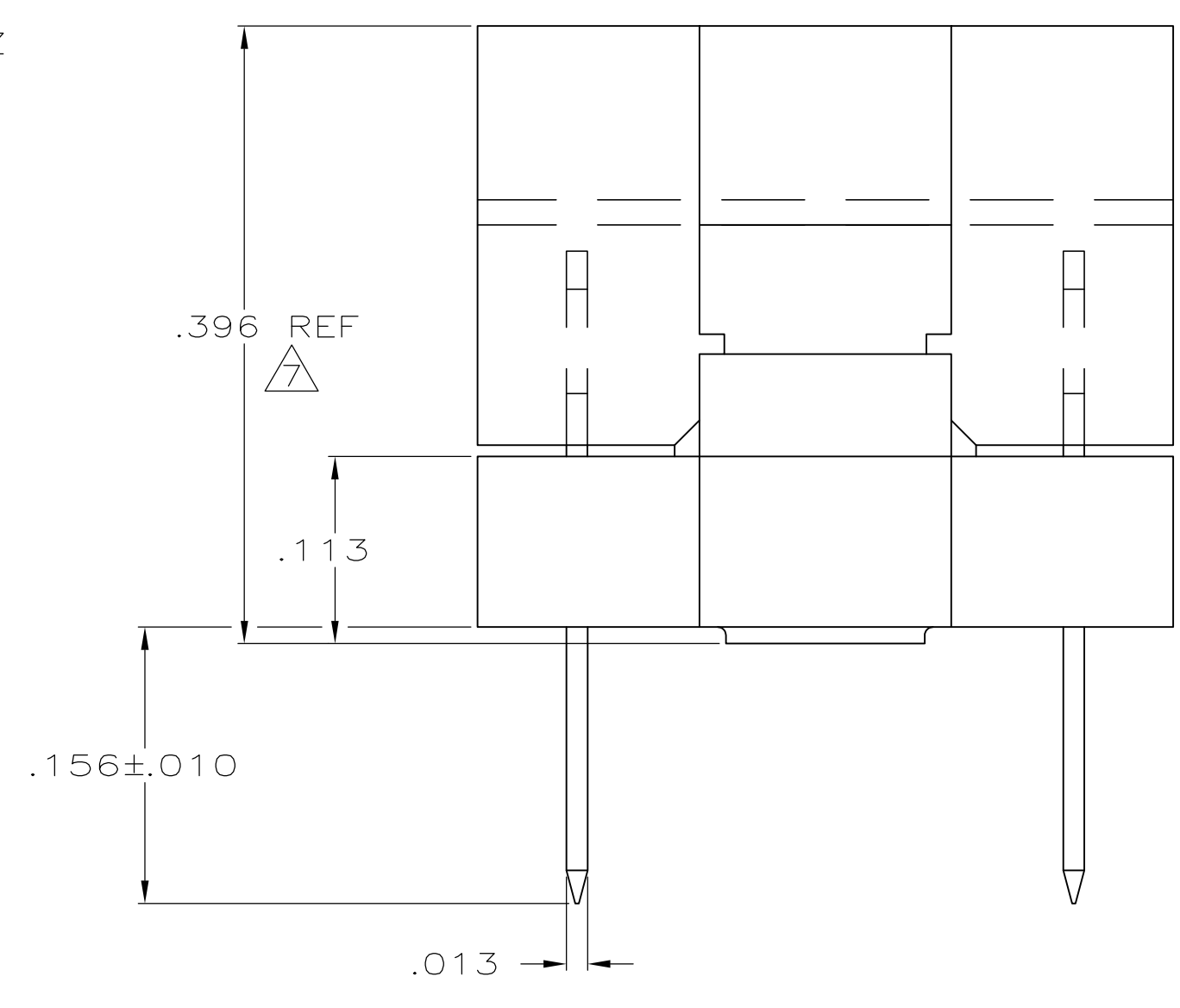
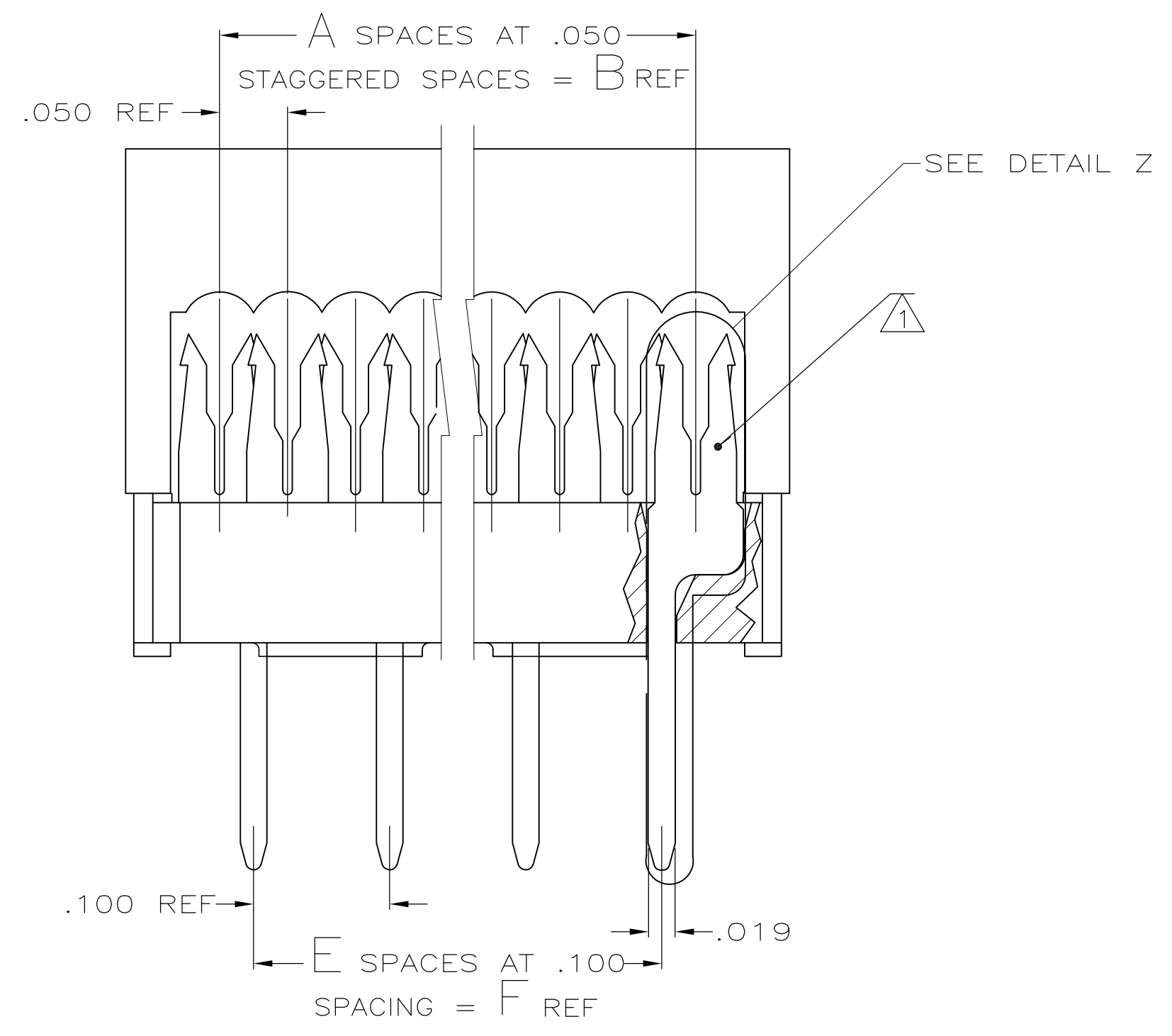
Email & Skype: info@chipsmall.com Web: www.chipsmall.com

Address: A1208, Overseas Decoration Building, #122 Zhenhua RD., Futian, Shenzhen, China





- ① CONTACTS DESIGNED FOR 28 AWG STRANDED OR 26,28, & 30 AWG SOLID WIRE.
- ② AMP TRADEMARK LOCATED IN APPROX AREA SHOWN.
- ③ STANDOFFS: POSN 8 (2) STANDOFFS AS SHOWN. POSN 14-20 (3) STANDOFFS, (1) CENTERED BETWEEN (2) SHOWN
- ④ PLATED WITH .000100 - .000200 BRIGHT TIN LEAD OVER .000050 NICKEL.
- ⑤ PLATED WITH .000030 GOLD OVER .000050 NICKEL.
- ⑥ GOLD FLASH OVER .000050 NICKEL.
- ⑦ HEIGHT AFTER TERMINATION IS .253 REF.
- ⑧ INDICATES NO 1 POSITION.
- ⑨ PLATED WITH .000005 MIN GOLD IN IDC AREA OVER .000050 MIN NICKEL.
- ⑩ MOLDED PARTS: 94V-0 RATED THERMOPLASTIC, COLOR BLACK. CONTACTS: PHOS BRONZE.



CONTACT FINISH	F	E	D	C	B	A	NO OF POSN	PART NO
⑨ ⑤ ⑥	.900	9	1.088	.900	.950	19	20	1-746611-0
⑨ ⑤ ⑥	.800	8	.988	.800	.850	17	18	-9
⑨ ⑤ ⑥	.600	6	.788	.600	.650	13	14	-8
⑨ ⑤ ⑥	.300	3	.488	.300	.350	7	8	-7
⑨ ⑤ ⑥	.700	7	.888	.700	.750	15	16	-6
OBSOLETE ④ ⑤ ⑥	.900	9	1.088	.900	.950	19	20	-5
OBSOLETE ④ ⑤ ⑥	.800	8	.988	.800	.850	17	18	-4
OBSOLETE ④ ⑤ ⑥	.700	7	.888	.700	.750	15	16	-3
OBSOLETE ④ ⑤ ⑥	.600	6	.788	.600	.650	13	14	-2
OBSOLETE ④ ⑤ ⑥	.300	3	.488	.300	.350	7	8	746611-1

THIS DRAWING IS A CONTROLLED DOCUMENT.

DIMENSIONS: INCHES	TOLERANCES UNLESS OTHERWISE SPECIFIED:	DIN L VARELA - DOCKS 11-29-04	CHK C ROHDE 11-29-04	APPD M WALMSLEY 11-29-04	NAME
0 PLC ± -	1 PLC ± -	STE TE Connectivity			KIT, AMP-LATCH DIP PLUG, PREASSEMBLED .100 X .300 CENTERS, 30 GOLD DUPLEX CONTACTS
2 PLC ± -	3 PLC ± .005	SIZE	CAGE CODE	DRAWING NO	RESTRICTED TO
4 PLC ± -	ANGLES ± -	114-40005	A1	00779	746611
MATERIAL ⑩	FINISH CONTACTS: SEE TABLE	WEIGHT	CUSTOMER DRAWING		SCALE 10:1 SHEET 1 OF 1 REV L1