



Chipsmall Limited consists of a professional team with an average of over 10 year of expertise in the distribution of electronic components. Based in Hongkong, we have already established firm and mutual-benefit business relationships with customers from,Europe,America and south Asia,supplying obsolete and hard-to-find components to meet their specific needs.

With the principle of “Quality Parts,Customers Priority,Honest Operation,and Considerate Service”,our business mainly focus on the distribution of electronic components. Line cards we deal with include Microchip,ALPS,ROHM,Xilinx,Pulse,ON,Everlight and Freescale. Main products comprise IC,Modules,Potentiometer,IC Socket,Relay,Connector.Our parts cover such applications as commercial,industrial, and automotives areas.

We are looking forward to setting up business relationship with you and hope to provide you with the best service and solution. Let us make a better world for our industry!



## Contact us

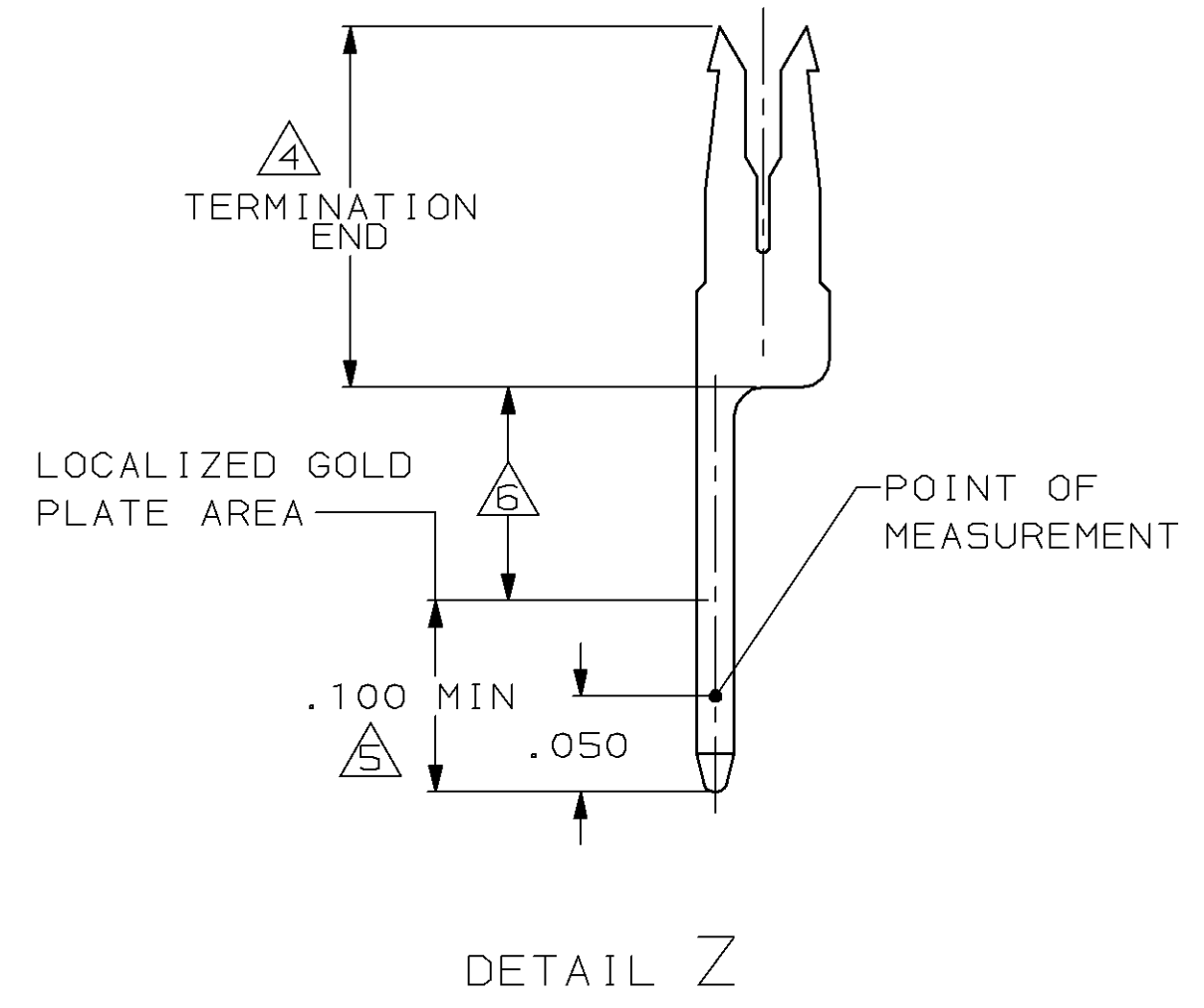
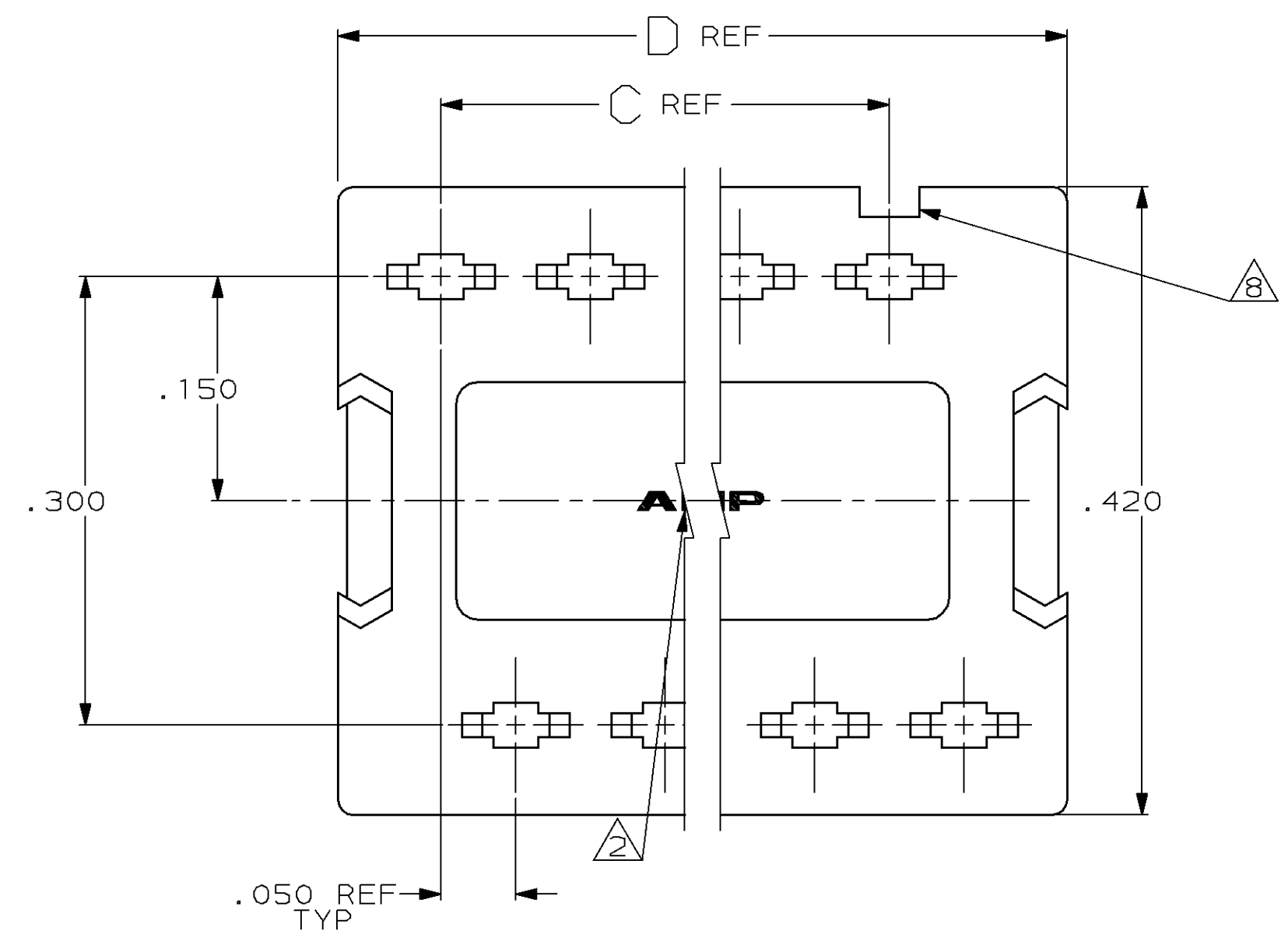
Tel: +86-755-8981 8866 Fax: +86-755-8427 6832

Email & Skype: info@chipsmall.com Web: www.chipsmall.com

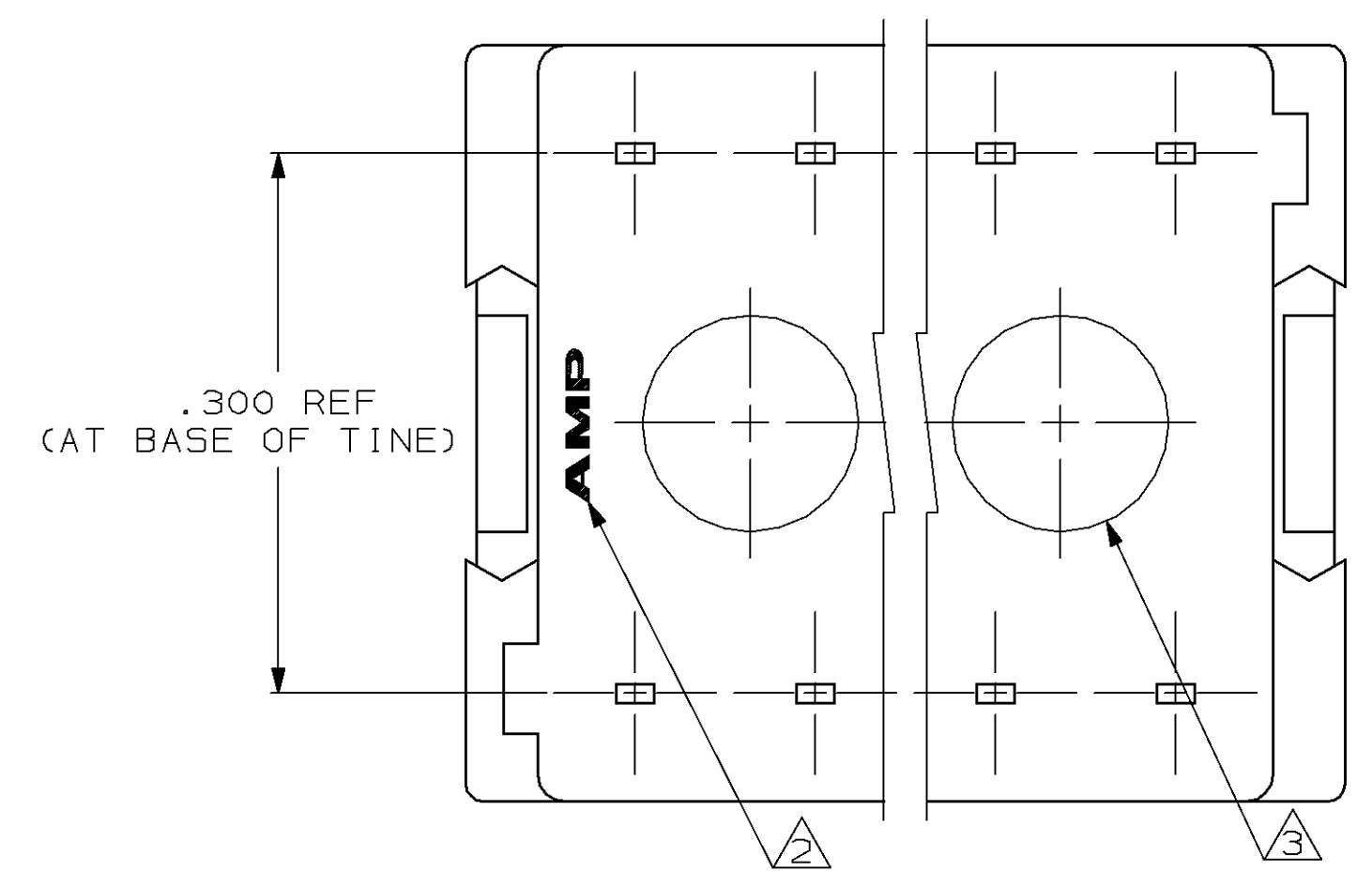
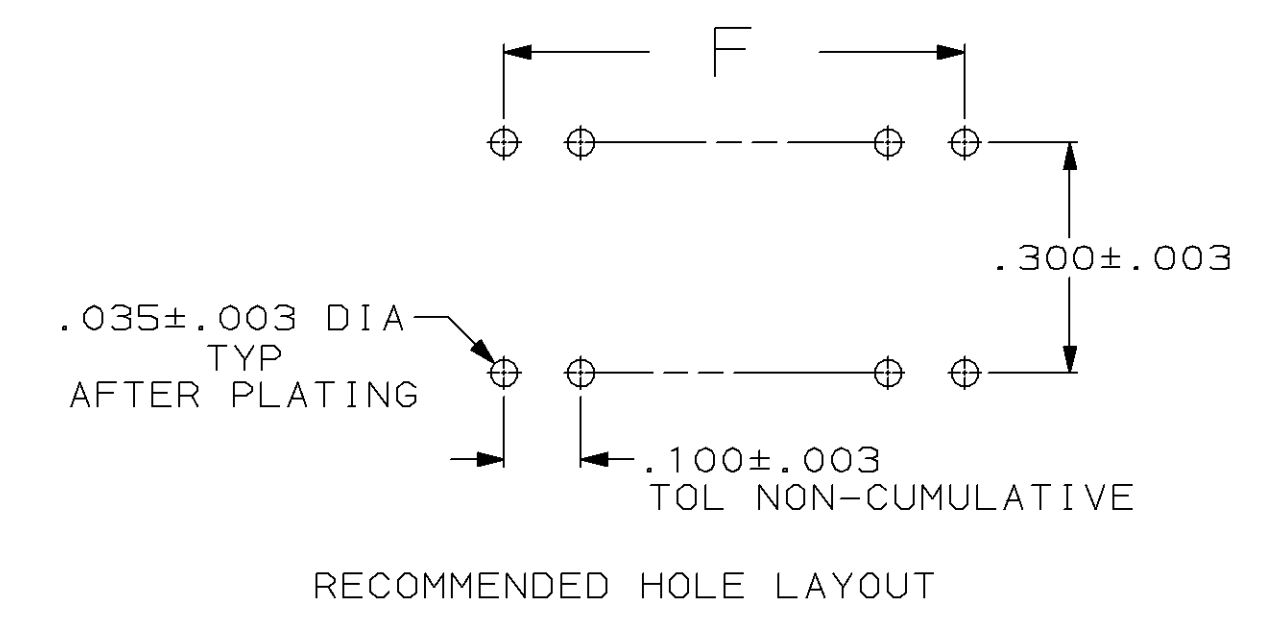
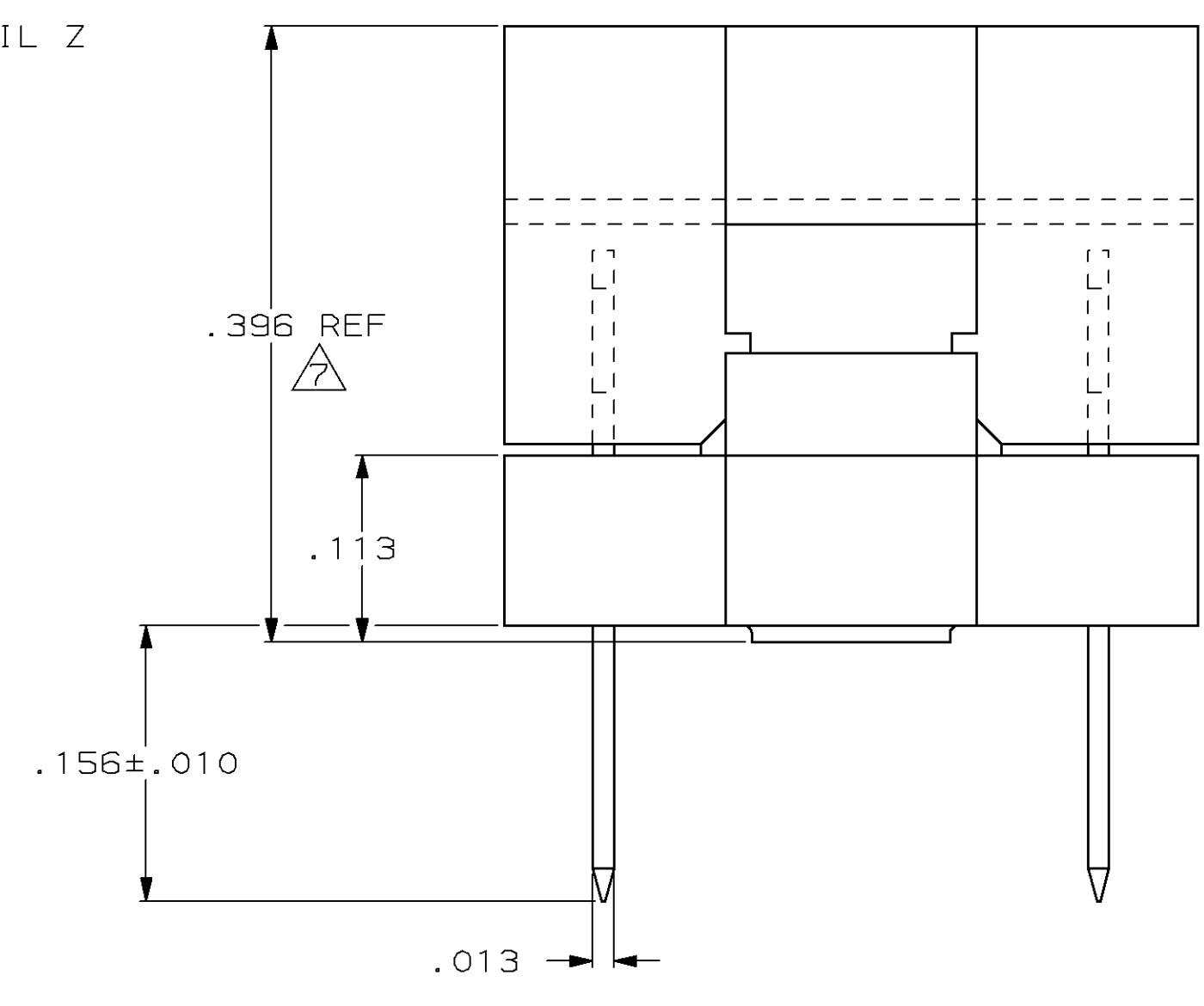
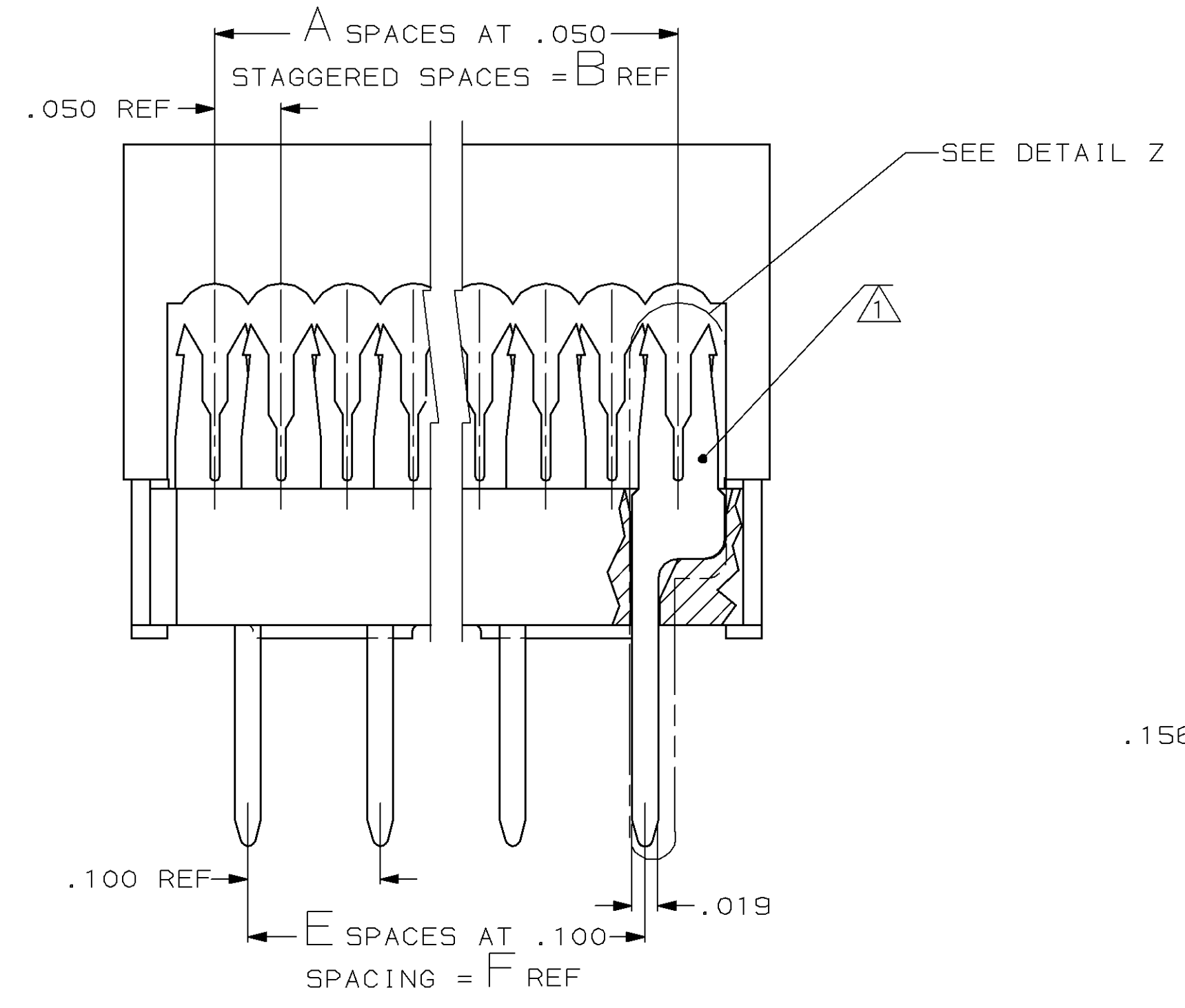
Address: A1208, Overseas Decoration Building, #122 Zhenhua RD., Futian, Shenzhen, China



LOC	DIST	REVISIONS			
P	LTR	DESCRIPTION	DATE	OWN	APPD
G		REV PER ECN CF1823	01 JUL 88	-	DH
H		OBS -1, -4, -5	16 DEC 95	CR	JS
		PER EC 0020-564-96			



- ⚠ CONTACTS DESIGNED FOR 28 AWG STRANDED OR 26, 28, & 30 AWG SOLID WIRE.
- ⚠ AMP TRADEMARK LOCATED IN APPROX AREA SHOWN.
- ⚠ STANDOFFS: POSN 8 (2) STANDOFFS AS SHOWN. POSN 14-18 (3) STANDOFFS, (1) CENTERED BETWEEN (2) SHOWN
- ⚠ PLATED WITH .000100 - .000200 BRIGHT TIN LEAD OVER .000050 NICKEL.
- ⚠ PLATED WITH .000015 GOLD OVER .000050 NICKEL.
- ⚠ GOLD FLASH OVER .000050 NICKEL.
- ⚠ HEIGHT AFTER TERMINATION IS .253 REF.
- ⚠ INDICATES NO 1 POSITION.
- ⚠ MOLDED PARTS: THERMOPLASTIC, 94V-0 RATED, BLACK.
- ⚠ CONTACTS: PHOSPHOR BRONZE.



OBSOLETE	.900	9	1.088	.900	.950	19	20	746612-5
OBSOLETE	.800	8	.988	.800	.850	17	18	746612-4
	.700	7	.888	.700	.750	15	16	746612-3
	.600	6	.788	.600	.650	13	14	746612-2
OBSOLETE	.300	3	.488	.300	.350	7	8	746612-1
	F	E	D	C	B	A	NO OF POSN	PART NUMBER

THIS DRAWING IS A CONTROLLED DOCUMENT.

DWN: H. E. ZELKO 10 JAN 86  
 CHK: J. PFACHEY 8 JAN 86  
 APVD: M. SCULLY 10 JAN 86

**AMP** AMP Incorporated  
 Harrisburg, PA 17105-3508

NAME: KIT, DIP PLUG, PREASSEMBLED,  
 .100 X .300 ⌀, 15 GOLD  
 DUPLEX CONTACTS, AMP-LATCH

PRODUCT SPEC: 108-40013  
 APPLICATION SPEC: 114-40005

SIZE: A1  
 CAGE CODE: 00779  
 DRAWING NO: 746612

SCALE: 10:1  
 SHEET: 1 OF 1  
 REV: H