



Chipsmall Limited consists of a professional team with an average of over 10 year of expertise in the distribution of electronic components. Based in Hongkong, we have already established firm and mutual-benefit business relationships with customers from,Europe,America and south Asia,supplying obsolete and hard-to-find components to meet their specific needs.

With the principle of “Quality Parts,Customers Priority,Honest Operation,and Considerate Service”,our business mainly focus on the distribution of electronic components. Line cards we deal with include Microchip,ALPS,ROHM,Xilinx,Pulse,ON,Everlight and Freescale. Main products comprise IC,Modules,Potentiometer,IC Socket,Relay,Connector.Our parts cover such applications as commercial,industrial, and automotives areas.

We are looking forward to setting up business relationship with you and hope to provide you with the best service and solution. Let us make a better world for our industry!



Contact us

Tel: +86-755-8981 8866 Fax: +86-755-8427 6832

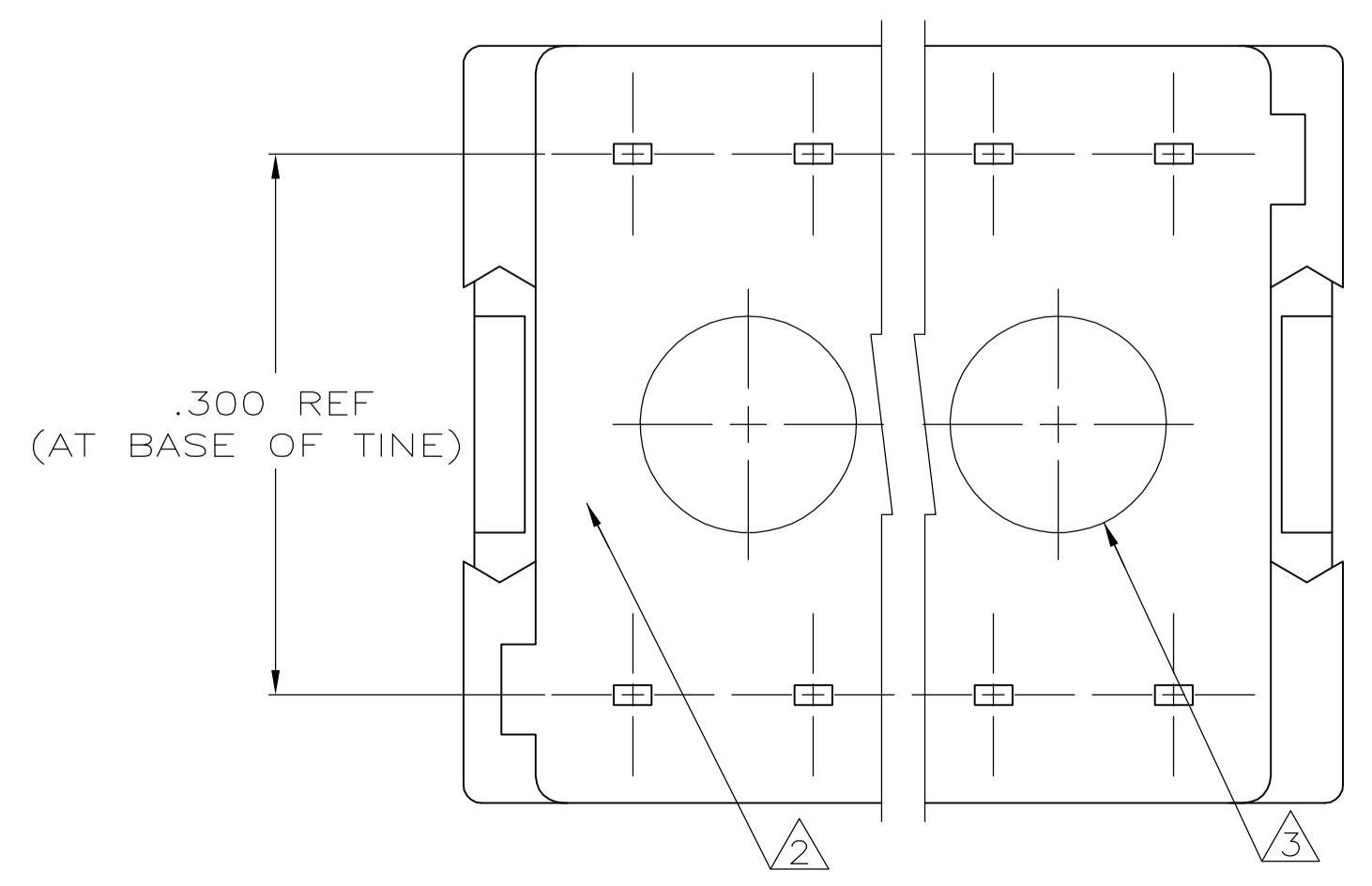
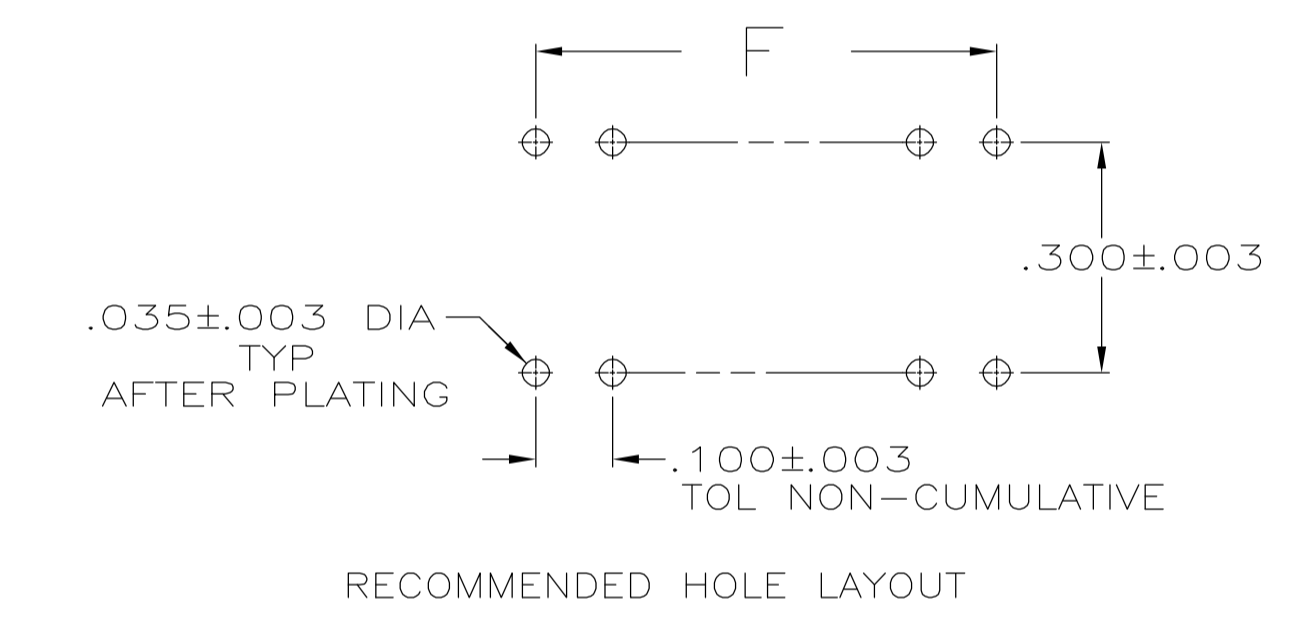
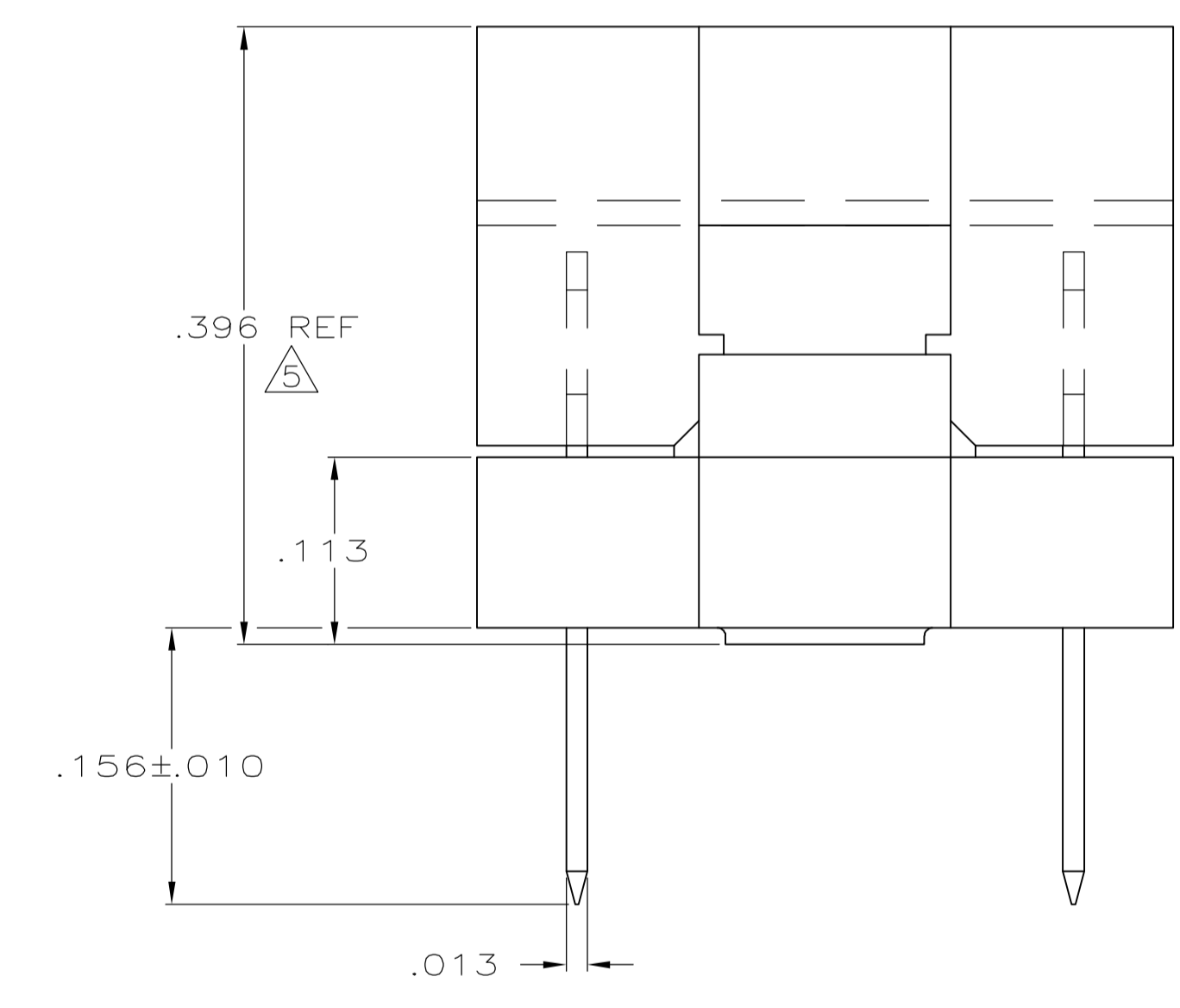
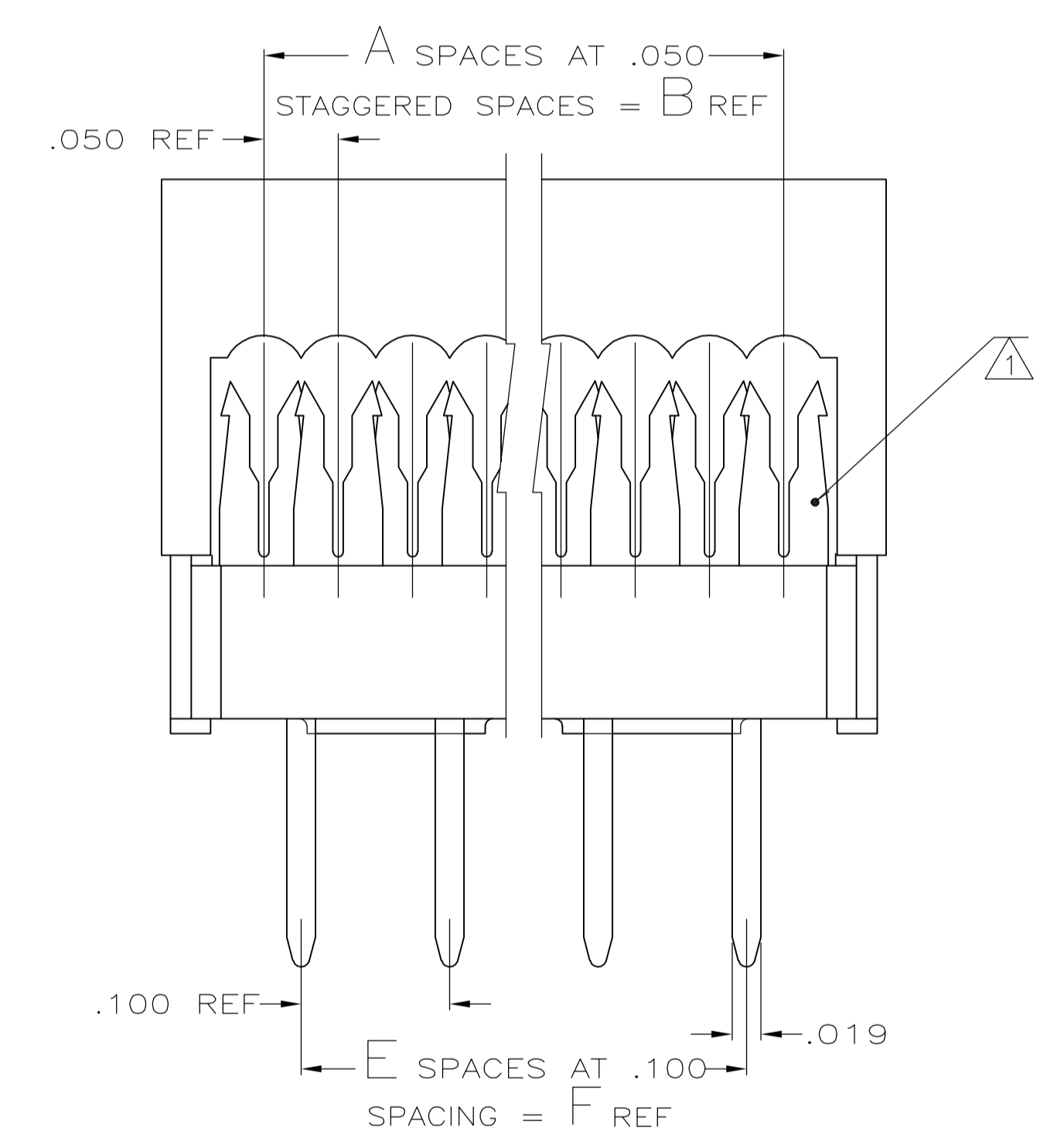
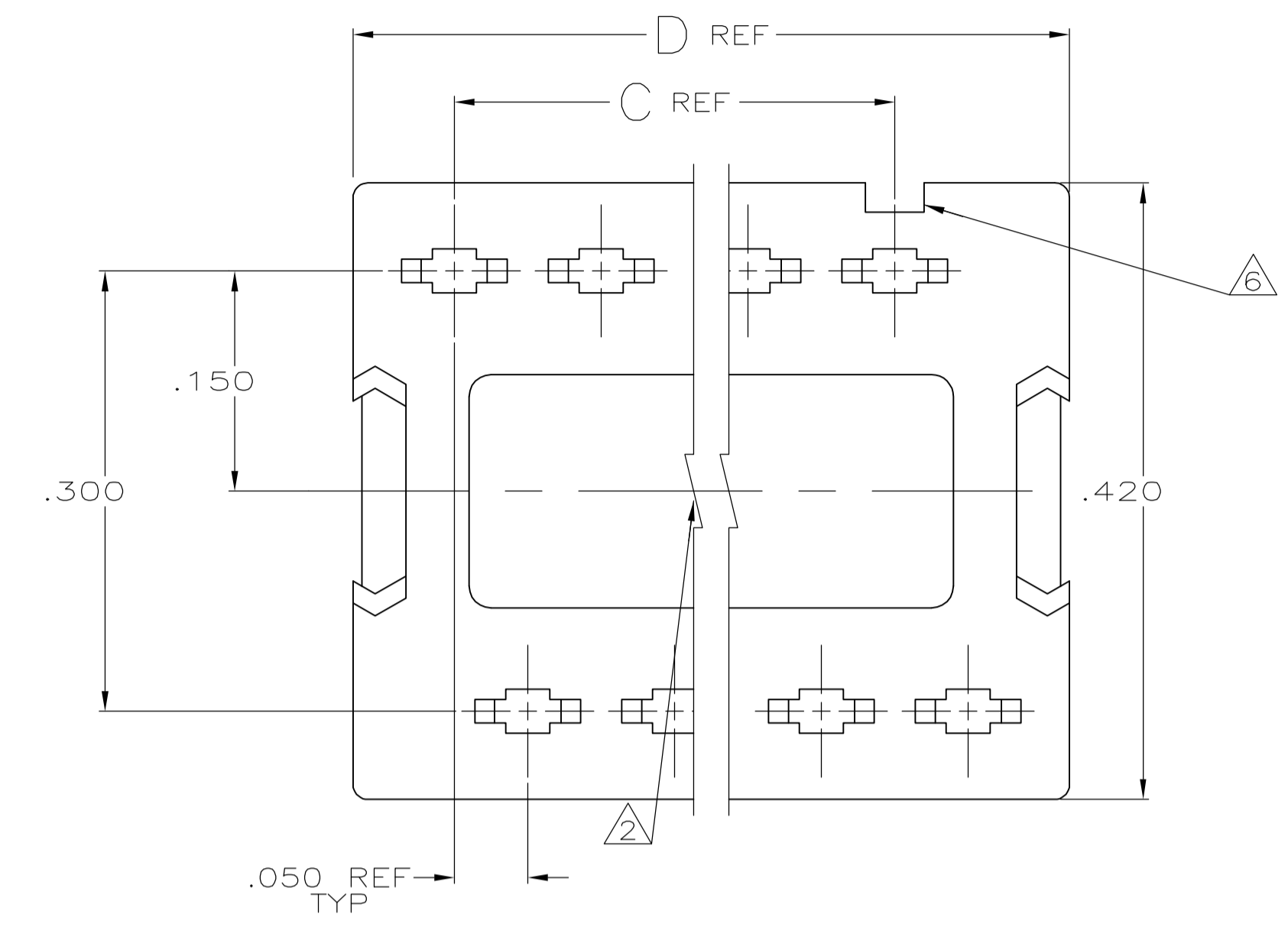
Email & Skype: info@chipsmall.com Web: www.chipsmall.com

Address: A1208, Overseas Decoration Building, #122 Zhenhua RD., Futian, Shenzhen, China



LOC		DIST		REVISIONS			
GP	00	REV	DATE	BY	CHK	APPV	
G1		REVISED PER ECO-06-020813	26/OCT/06	ZR	CR		

- ① CONTACTS DESIGNED FOR 28 AWG STRANDED OR 26,28, & 30 AWG SOLID WIRE.
- ② AMP TRADEMARK LOCATED IN APPROX AREA SHOWN.
- ③ STANDOFFS: POSN 8 (2) STANDOFFS AS SHOWN. POSN 14-20 (3) STANDOFFS, (1) CENTERED BETWEEN (2) SHOWN
- ④ .000100-.000200 BRIGHT TIN LEAD OVER .000050 NICKEL ON ENTIRE CONTACT.
- ⑤ HEIGHT AFTER TERMINATION IS .253 REF.
- ⑥ INDICATES NO 1 POSITION.
- ⑥ MATERIAL:
 MOLDED PARTS: 94V-0 RATED THERMOPLASTIC, COLOR BLACK.
 CONTACTS; PHOSPHOR BRONZE



	F	E	D	C	B	A	NO OF POSN	PART NUMBER
OBSOLETE	.900	9	1.088	.900	.950	19	20	746613-5
OBSOLETE	.800	8	.988	.800	.850	17	18	746613-4
	.700	7	.888	.700	.750	15	16	746613-3
OBSOLETE	.600	6	.788	.600	.650	13	14	746613-2
	.300	3	.488	.300	.350	7	8	746613-1

THIS DRAWING IS A CONTROLLED DOCUMENT.

DIMENSIONS: INCHES	TOLERANCES UNLESS OTHERWISE SPECIFIED:	DWG: W.E.ZELKO 1-10-86	CHK: J.PEACHEY 1-8-86	APPROD: M.SCULLY 1-10-86	NAME: M.SCULLY	TYCO Electronics	Tyco Electronics Corporation Harrisburg, PA 17105-3608
0 PLC ± -	1 PLC ± -	2 PLC ± -	3 PLC ± .005	4 PLC ± -	ANGLES ± -	PRODUCT SPEC: 108-40013	APPLICATION SPEC: 114-40005
MATERIAL: ⑥	FINISH: ④	WEIGHT: -	SIZE: A1	CAE CODE: 00779	DRAWING NO: 746613	RESTRICTED TO: -	CUSTOMER DRAWING

SCALE 10:1 SHEET 1 OF 1 REV G1