



Chipsmall Limited consists of a professional team with an average of over 10 year of expertise in the distribution of electronic components. Based in Hongkong, we have already established firm and mutual-benefit business relationships with customers from,Europe,America and south Asia,supplying obsolete and hard-to-find components to meet their specific needs.

With the principle of “Quality Parts,Customers Priority,Honest Operation,and Considerate Service”,our business mainly focus on the distribution of electronic components. Line cards we deal with include Microchip,ALPS,ROHM,Xilinx,Pulse,ON,Everlight and Freescale. Main products comprise IC,Modules,Potentiometer,IC Socket,Relay,Connector.Our parts cover such applications as commercial,industrial, and automotives areas.

We are looking forward to setting up business relationship with you and hope to provide you with the best service and solution. Let us make a better world for our industry!



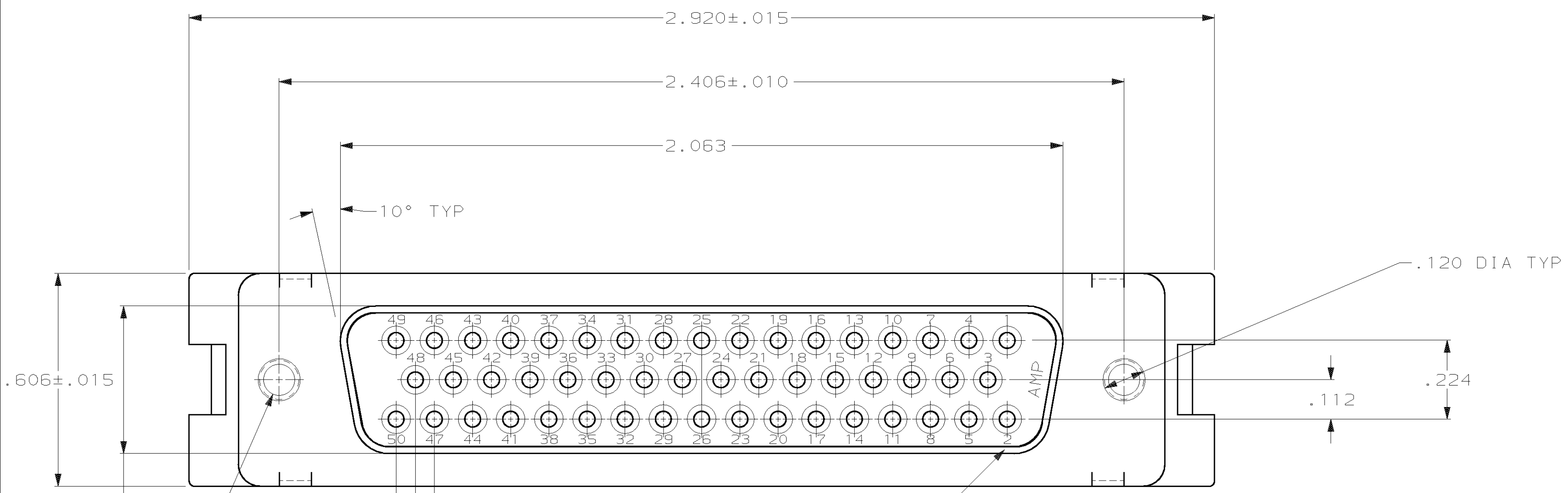
Contact us

Tel: +86-755-8981 8866 Fax: +86-755-8427 6832

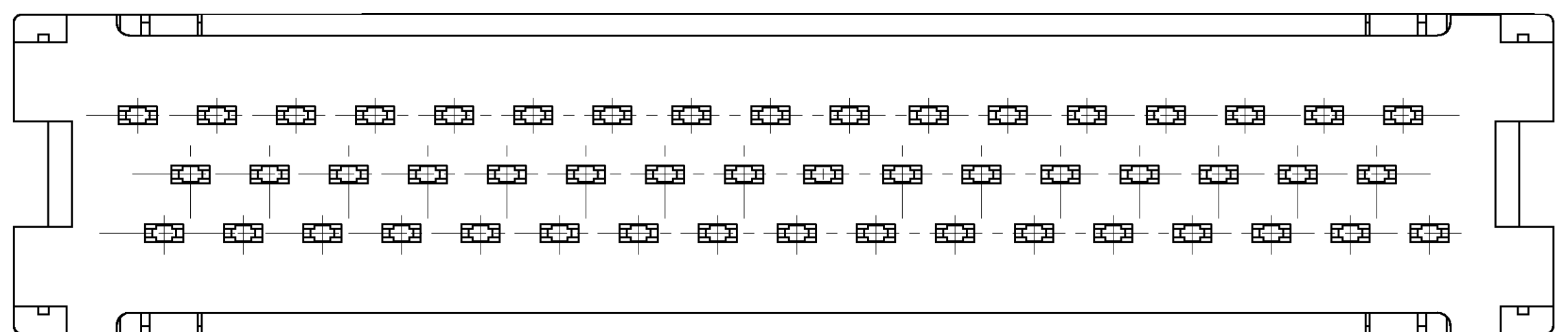
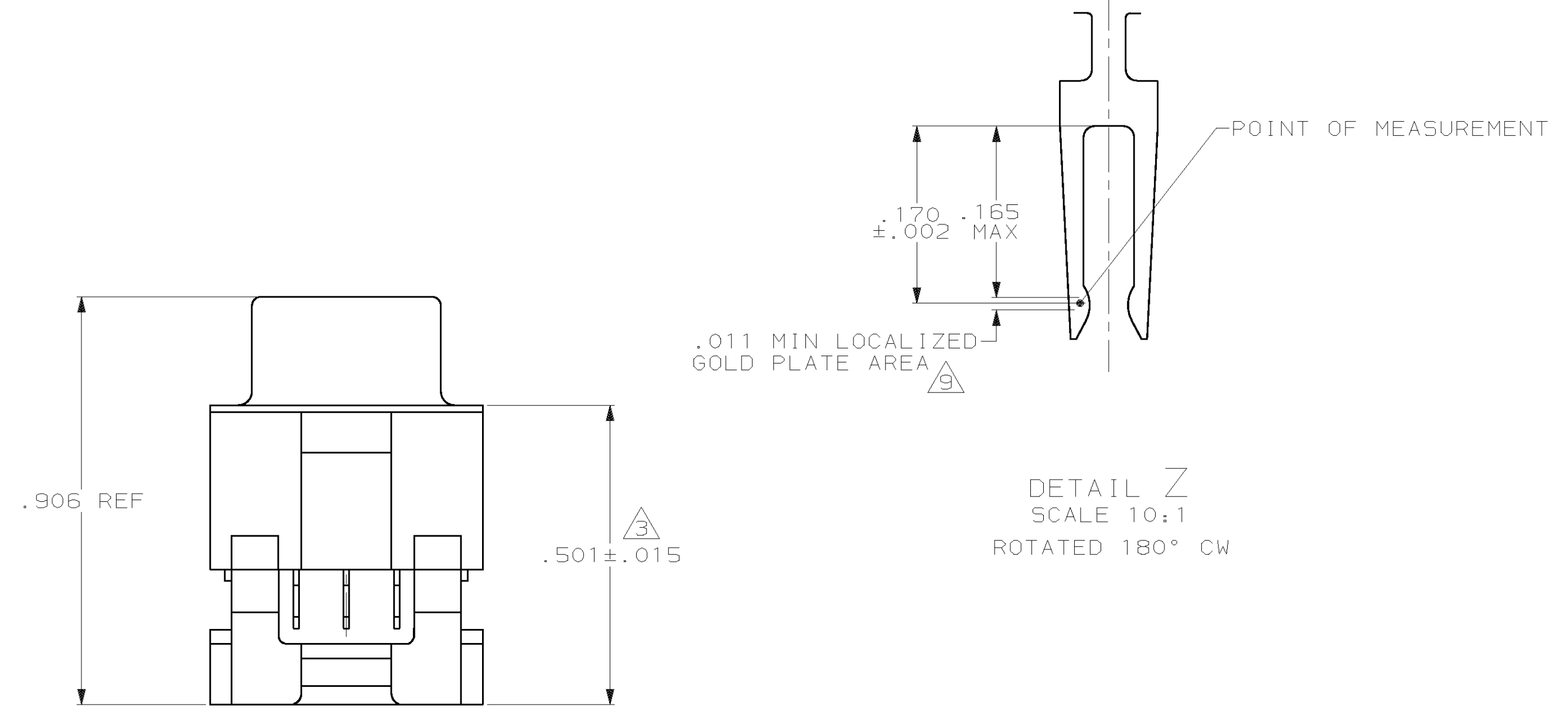
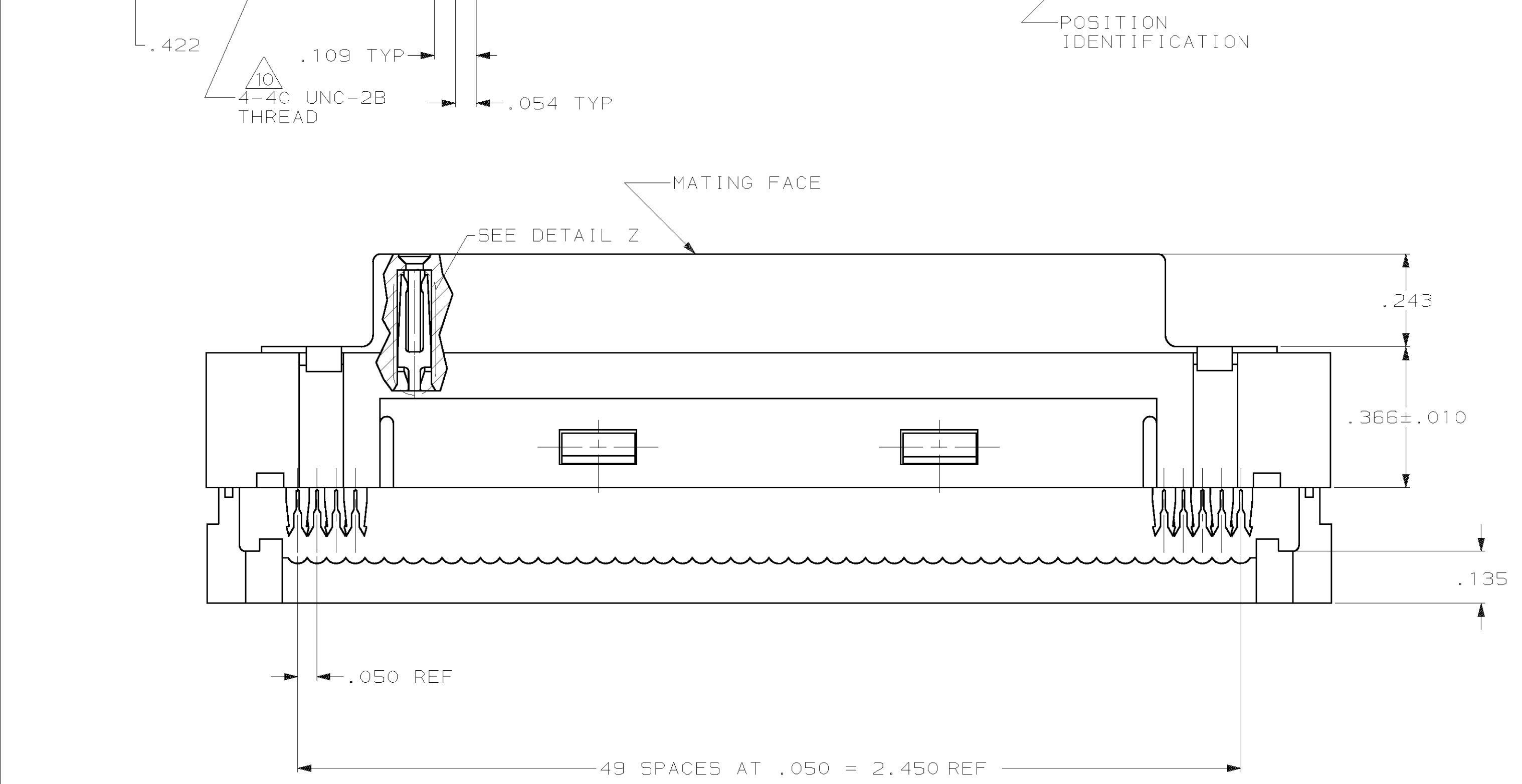
Email & Skype: info@chipsmall.com Web: www.chipsmall.com

Address: A1208, Overseas Decoration Building, #122 Zhenhua RD., Futian, Shenzhen, China





- CONNECTORS COMPLY WITH AMP SPEC 108-40012.
 - CONNECTOR DESIGNED FOR 28 AND 26 AWG STRANDED AND SOLID CONDUCTOR RIBBON CABLE ON .050 ϕ .
- \triangle 3 DIMENSION APPLIES TO TERMINATED CONNECTOR.
 \triangle 4 MOLDED PARTS: FLAME RETARDANT 94V-0 RATED THERMOPLASTIC; COLOR: BLACK.
 \triangle 5 STEEL PER QQ-S-698.
 \triangle 6 PH BRZ PER QQ-B-750.
 \triangle 7 GOLD PLATING PER MIL-G-45204, BRIGHT TIN PLATING PER MIL-T-10727, NICKEL PLATING PER QQ-N-290.
 \triangle 8 BRIGHT TIN PLATED.
 \triangle 9 PLATED .000030 GOLD IN LOCALIZED GOLD PLATE AREA, .000100 - .000200 BRIGHT TIN LEAD ON TERMINATION END, ALL OVER .000050 NICKEL ON ENTIRE CONTACT.
 \triangle 10 THE MAX SCREW PENETRATION INTO THE CONNECTOR = .312.



UNLESS OTHERWISE SPECIFIED DIMENSIONS ARE IN INCHES. TOLERANCES ON: DECIMALS ± .005 ANGLES ± 2°	CONTRACT NO	AMP AMP INCORPORATED Harrisburg, Pa.
	DR 11-27-85 J. PEACHEY	
	CHK 12-2-85 D. HOFFMAN	
	APPD 11-27-85 S. GOOD	
MATERIAL MOLDED PARTS: \triangle 4	APPD 12-2-85 D. HOFFMAN	NAME RCPT ASSY, 50 POSN LOW
SHELL: \triangle 5	DSGN APPD	PROFILE HDF, FRONT METAL SHELL,
CONTACTS: \triangle 6	OTHER APPD	W/PRE-ASSEMBLED COVER, AMP-LATCH
FINISH \triangle 7	SIZE D	FSCM NO 00779
SHELL: \triangle 8	SCALE NTS	DRAWING NO 746789
CONTACTS: \triangle 9		SHEET 1 OF 1

746789-1
PART NO