



Chipsmall Limited consists of a professional team with an average of over 10 year of expertise in the distribution of electronic components. Based in Hongkong, we have already established firm and mutual-benefit business relationships with customers from,Europe,America and south Asia,supplying obsolete and hard-to-find components to meet their specific needs.

With the principle of “Quality Parts,Customers Priority,Honest Operation,and Considerate Service”,our business mainly focus on the distribution of electronic components. Line cards we deal with include Microchip,ALPS,ROHM,Xilinx,Pulse,ON,Everlight and Freescale. Main products comprise IC,Modules,Potentiometer,IC Socket,Relay,Connector.Our parts cover such applications as commercial,industrial, and automotives areas.

We are looking forward to setting up business relationship with you and hope to provide you with the best service and solution. Let us make a better world for our industry!



Contact us

Tel: +86-755-8981 8866 Fax: +86-755-8427 6832

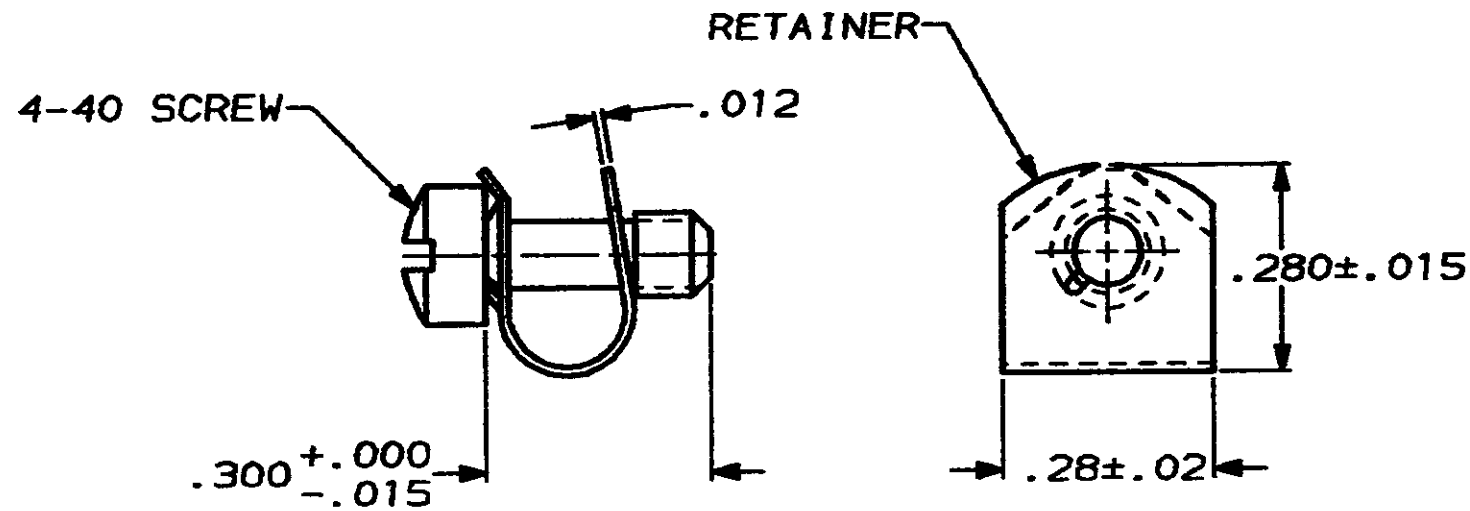
Email & Skype: info@chipsmall.com Web: www.chipsmall.com

Address: A1208, Overseas Decoration Building, #122 Zhenhua RD., Futian, Shenzhen, China



THIS DRAWING IS UNPUBLISHED. RELEASED FOR PUBLICATION .19 .
 © COPYRIGHT 19 BY AMP INCORPORATED, HARRISBURG, PA. ALL INTERNATIONAL RIGHTS RESERVED. AMP PRODUCTS MAY BE COVERED BY U.S. AND FOREIGN PATENTS AND/OR PATENTS PENDING.

REVISIONS						
P	F	ZONE	LTR	DESCRIPTION	DATE	APPROVED
			0	RELEASED		
			A	REVISED ECN-BD2475	11-18-88	JS
✓	✓		B	REV PER ECN BD4276	12/10/90	-



- 1. PARTS PACKAGED UNASSEMBLED.
- ② CARBON STEEL.
- ③ ZINC PLATED PER ASTM B633, TYPE III, CLASS SC1, CLEAR CHROMATE.
- ④ STAINLESS STEEL PER ASTM A666.

PARTS INDIVIDUALLY BULK PACKED & SHIPPED AS A UNIT PACKAGE	746881-2
2 EACH PACKAGED AS A UNIT KIT	746881-1

REMARKS			PART NO
UNLESS OTHERWISE SPECIFIED DIMENSIONS ARE IN INCHES. TOLERANCES ON DECIMALS ± .005. ANGLES ± _____			
CONTRACT NO OR W. ZELKO 4-11-85			
CHK J. PEACHY 5-7-85			
APPD S. GOOD 5-6-85			
APPD D. HOFFMAN 5-8-85			
DSGN APPD			
OTHER APPD			
MATERIAL SCREW: ② RETAINER: ④	NAME KIT, SCREW RETAINER LOW PROFILE HDF, AMPLIMITE®	SIZE B	FSCN NO 00779
FINISH SCREW: ③	DRAWING NO 746881	SCALE NTS	SHEET 1 of 1

CUSTOMER DRAWING