



Chipsmall Limited consists of a professional team with an average of over 10 year of expertise in the distribution of electronic components. Based in Hongkong, we have already established firm and mutual-benefit business relationships with customers from,Europe,America and south Asia,supplying obsolete and hard-to-find components to meet their specific needs.

With the principle of “Quality Parts,Customers Priority,Honest Operation,and Considerate Service”,our business mainly focus on the distribution of electronic components. Line cards we deal with include Microchip,ALPS,ROHM,Xilinx,Pulse,ON,Everlight and Freescale. Main products comprise IC,Modules,Potentiometer,IC Socket,Relay,Connector.Our parts cover such applications as commercial,industrial, and automotives areas.

We are looking forward to setting up business relationship with you and hope to provide you with the best service and solution. Let us make a better world for our industry!



## Contact us

Tel: +86-755-8981 8866 Fax: +86-755-8427 6832

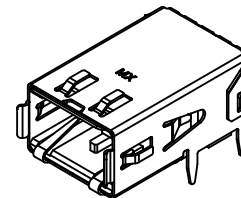
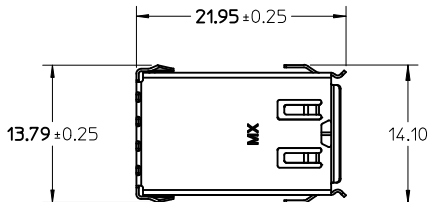
Email & Skype: info@chipsmall.com Web: www.chipsmall.com

Address: A1208, Overseas Decoration Building, #122 Zhenhua RD., Futian, Shenzhen, China

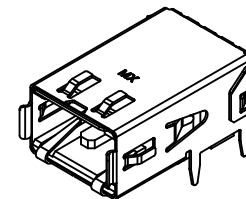


**NOTES:**

1. MATERIALS: HOUSING - LIQUID CRYSTAL POLYMER, UL94 V-0, NATURAL  
 TERMINAL - COPPER NICKEL SILICON ALLOY  
 SHIELD - BRASS ALLOY
2. FINISHES:  
 TERMINAL: 1.27 MICROMETERS MINIMUM SELECT GOLD AND  
 3.81 MICROMETERS MINIMUM SELECT TIN OVER  
 NICKEL UNDERPLATE OVERALL.  
 SHELL: 3.00 MICROMETERS MINIMUM TIN OVER  
 NICKEL UNDERPLATE OVERALL.
3. PACKAGE TAPE AND REEL PER PK-74703-001 AND  
 PACKAGE TRAYS PER PK-74703-002.
4. PART CONFORMS TO SPECIFICATION PS-74703-001.
5. DROP-IN AND PRESS FIT ASSEMBLIES REQUIRED TO  
 BE SOLDERED TO BOARD.

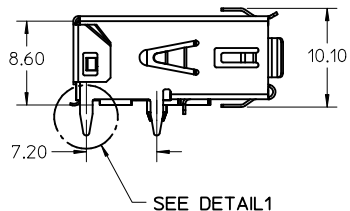


INFINIBAND KEYING WITH DROP-IN SHIELD

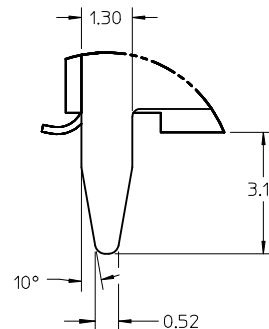
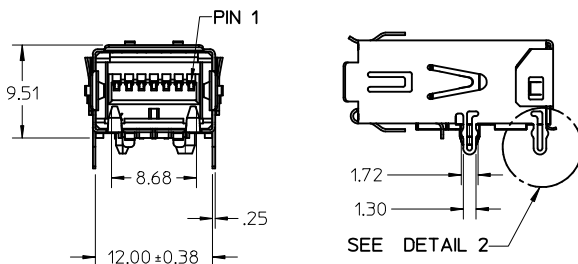


FIBRE CHANNEL KEYING WITH DROP-IN SHIELD

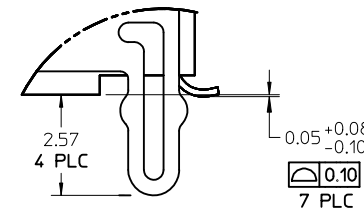
**DROP-IN SHIELD**



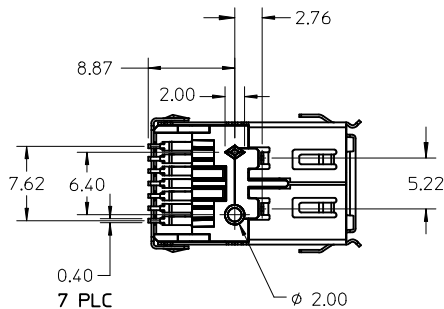
**PRESS-FIT SHIELD**



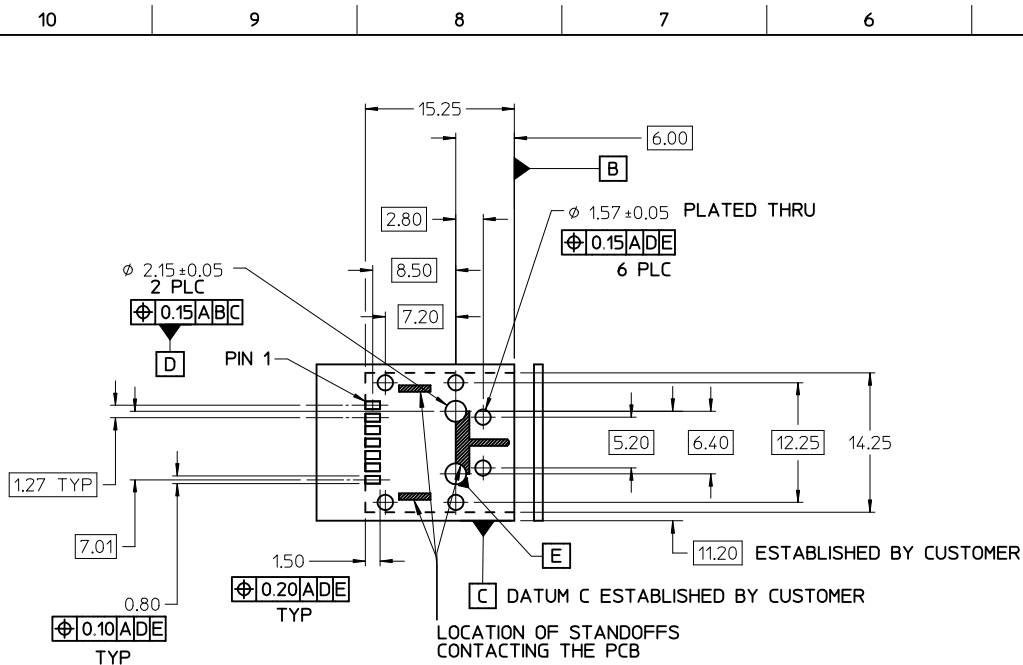
DETAIL 1  
SCALE 8:1



DETAIL 2  
SCALE 8:1

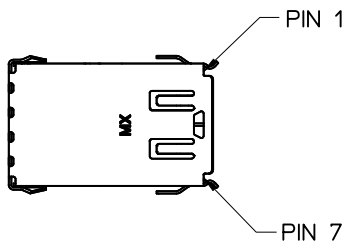


REVISE DRAWING EC NO: UCP2012-3535 DRAWN: MORGAN 2012/04/26 CHKD: BBARKER 2012/04/26 APPR: SMILLER 2012/06/08	DESCRIPTION REV	QUALITY SYMBOLS	GENERAL TOLERANCES (UNLESS SPECIFIED)	DIMENSION STYLE	SCALE	DESIGN UNITS	THIRD ANGLE PROJECTION	
		$\nabla F/0$ $\nabla E/0$ $\nabla D/0$	mm      INCH 4 PLACES ± --- ± --- 3 PLACES ± --- ± --- 2 PLACES ± 0.13 ± --- 1 PLACE ± 0.25 ± --- 0 PLACE ±      ±	MM ONLY	2:1	METRIC		
		ANGULAR ± 3° DRAFT WHERE APPLICABLE MUST REMAIN WITHIN DIMENSIONS	DRAWN BY: KSTILES      DATE: 10/06/2000 CHECKED BY: RSFOX      DATE: 10/09/2000 APPROVED BY: DBRINKMA      DATE: 10/12/2000	TITLE	SALES DRAWING HSSDC2 RECEPTACLE ASSEMBLY		DOCUMENT NO. SD-74703-001	SHEET NO. 1 OF 3
		MATERIAL NO. SEE TABLE	THIS DRAWING CONTAINS INFORMATION THAT IS PROPRIETARY TO MOLEX INCORPORATED AND SHOULD NOT BE USED WITHOUT WRITTEN PERMISSION					

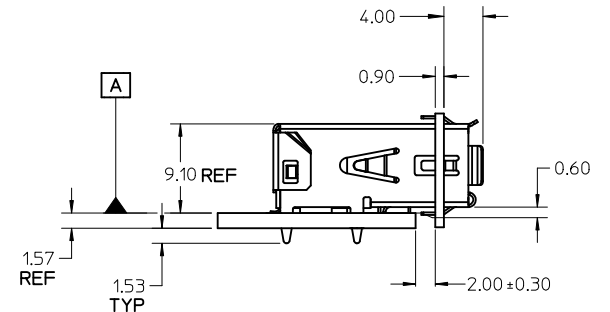


RECOMMENDED PCB LAYOUT  
COMPONENT SIDE SHOWN

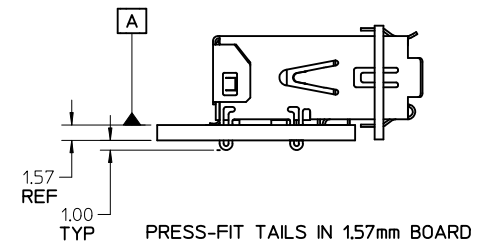
THE ENTIRE AREA OF THE CONNECTOR FOOTPRINT TO  
BE CONSIDERED THE KEEP OUT AREA (FOR COMPONENTS).  
THIS AREA IS INDICATED BY THE DASHED LINE.



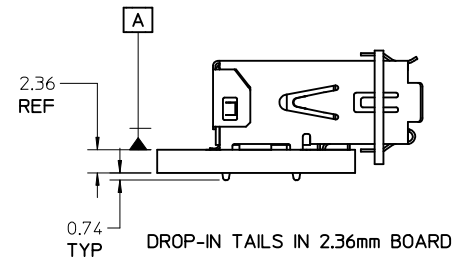
PIN NO.	INFINIBAND	FIBRE CHANNEL
1	G	G
2	R+	R-
3	R-	R+
4	G	G
5	T-	T+
6	T+	T-
7	G	G



DROP-IN TAILS IN 1.57mm BOARD

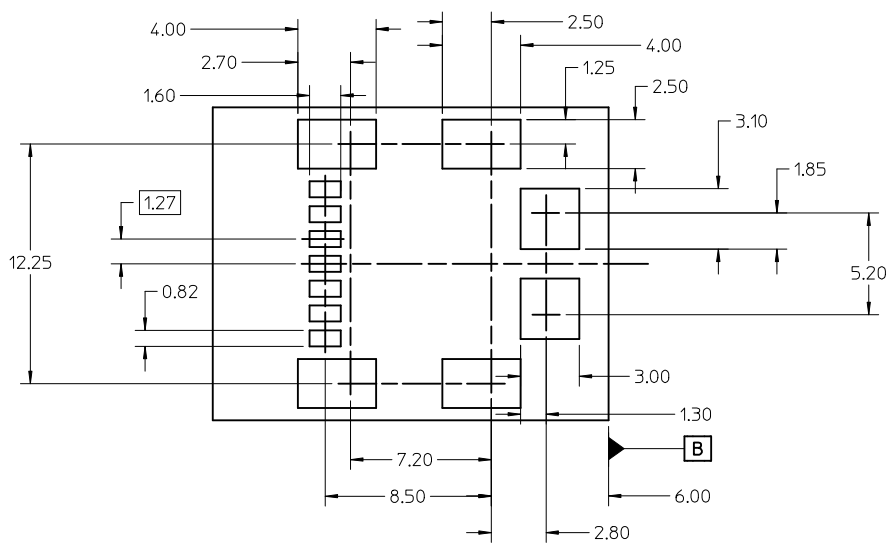


PRESS-FIT TAILS IN 1.57mm BOARD

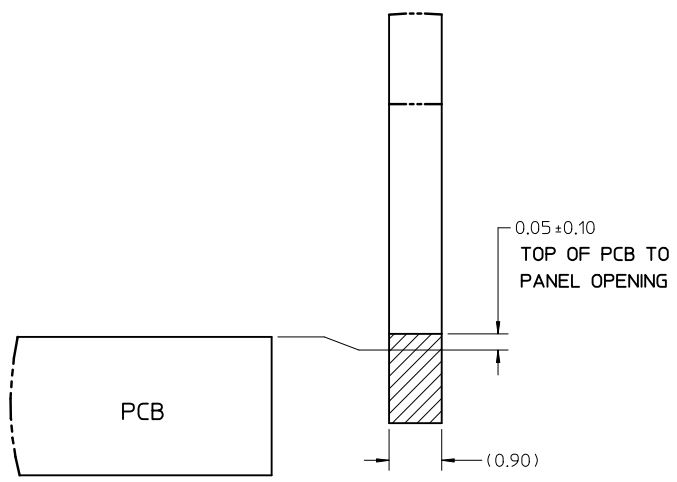


DROP-IN TAILS IN 2.36mm BOARD

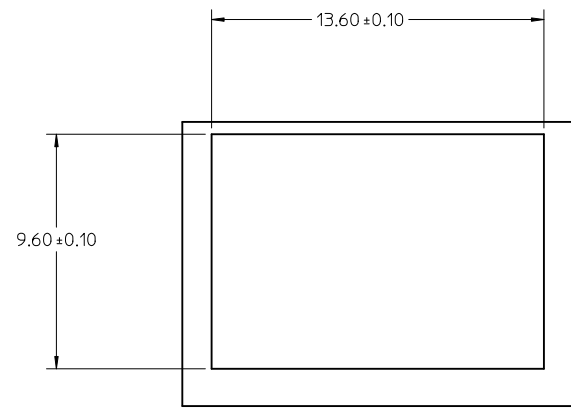
SEE SHEET 1 EC NO: UCP2012-3535 DRWN:DMORGAN 2012/04/26 CHKD:BBARKER 2012/04/26 APPR:SMILLER 2012/06/08	QUALITY SYMBOLS	GENERAL TOLERANCES (UNLESS SPECIFIED)	DIMENSION STYLE	SCALE	DESIGN UNITS	THIRD ANGLE PROJECTION
	▽/0	mm INCH	MM ONLY	2:1	METRIC	
	▽/0	4 PLACES ± --- ± ---	DRAWN BY DATE			TITLE
	▽/0	3 PLACES ± --- ± ---	KSTILES 10/06/2000			SALES DRAWING HSSDC2 RECEPTACLE ASSEMBLY
	2 PLACES ± 0.13 ± ---	CHECKED BY DATE				
	1 PLACE ± 0.25 ± ---	RSFOX 10/09/2000				
	0 PLACE ± ±	APPROVED BY DATE				
		DBRINKMA 10/12/2000				
		MATERIAL NO.	SEE TABLE	DOCUMENT NO.	SD-74703-001	SHEET NO. 2 OF 3
		ANGULAR ± 3° DRAFT WHERE APPLICABLE MUST REMAIN WITHIN DIMENSIONS	SIZE B	THIS DRAWING CONTAINS INFORMATION THAT IS PROPRIETARY TO MOLEX INCORPORATED AND SHOULD NOT BE USED WITHOUT WRITTEN PERMISSION		



RECOMMENDED SMT STENCIL LAYOUT



PARTIAL1 SCALE 12:1



RECOMMENDED PANEL OPENING

CKT. SIZE	MATERIAL NUMBER		KEYING OPTION	SHIELD OPTION
	TAPE/REEL	TRAY		
7	74703-0007	74703-0017	INFINIBAND	DROP-IN
7	74703-0107	74703-0117	FIBRE CHANNEL	DROP-IN
7	74703-0307	74703-0317	INFINIBAND	PRESS-FIT
7	74703-0407	74703-0417	FIBRE CHANNEL	PRESS-FIT

SEE SHEET 1 EC NO: UCP2012-3535 DRWN:DMORGAN 2012/04/26 CHKD:BBARKER 2012/04/26 APPR:SMILLER 2012/06/08	QUALITY SYMBOLS	GENERAL TOLERANCES (UNLESS SPECIFIED)		DIMENSION STYLE MM ONLY		SCALE 2:1	DESIGN UNITS METRIC	THIRD ANGLE PROJECTION
	▽=0	4 PLACES	mm	INCH	DRAWN BY KSTILES	DATE 10/06/2000	TITLE SALES DRAWING HSSDC2 RECEPTACLE ASSEMBLY	
	▽=0	3 PLACES	±	±	CHECKED BY RSFOX	DATE 10/09/2000		
	▽=0	2 PLACES	±0.13	±	APPROVED BY DBRINKMA	DATE 10/12/2000	DOCUMENT NO. SD-74703-001	
	1 PLACE	±0.25	±	MATERIAL NO. SEE TABLE		SHEET NO. 3 OF 3		
	0 PLACE	±	±	ANGULAR ± 3° DRAFT WHERE APPLICABLE MUST REMAIN WITHIN DIMENSIONS		THIS DRAWING CONTAINS INFORMATION THAT IS PROPRIETARY TO MOLEX INCORPORATED AND SHOULD NOT BE USED WITHOUT WRITTEN PERMISSION		