



Chipsmall Limited consists of a professional team with an average of over 10 year of expertise in the distribution of electronic components. Based in Hongkong, we have already established firm and mutual-benefit business relationships with customers from,Europe,America and south Asia,supplying obsolete and hard-to-find components to meet their specific needs.

With the principle of “Quality Parts,Customers Priority,Honest Operation,and Considerate Service”,our business mainly focus on the distribution of electronic components. Line cards we deal with include Microchip,ALPS,ROHM,Xilinx,Pulse,ON,Everlight and Freescale. Main products comprise IC,Modules,Potentiometer,IC Socket,Relay,Connector.Our parts cover such applications as commercial,industrial, and automotives areas.

We are looking forward to setting up business relationship with you and hope to provide you with the best service and solution. Let us make a better world for our industry!



Contact us

Tel: +86-755-8981 8866 Fax: +86-755-8427 6832

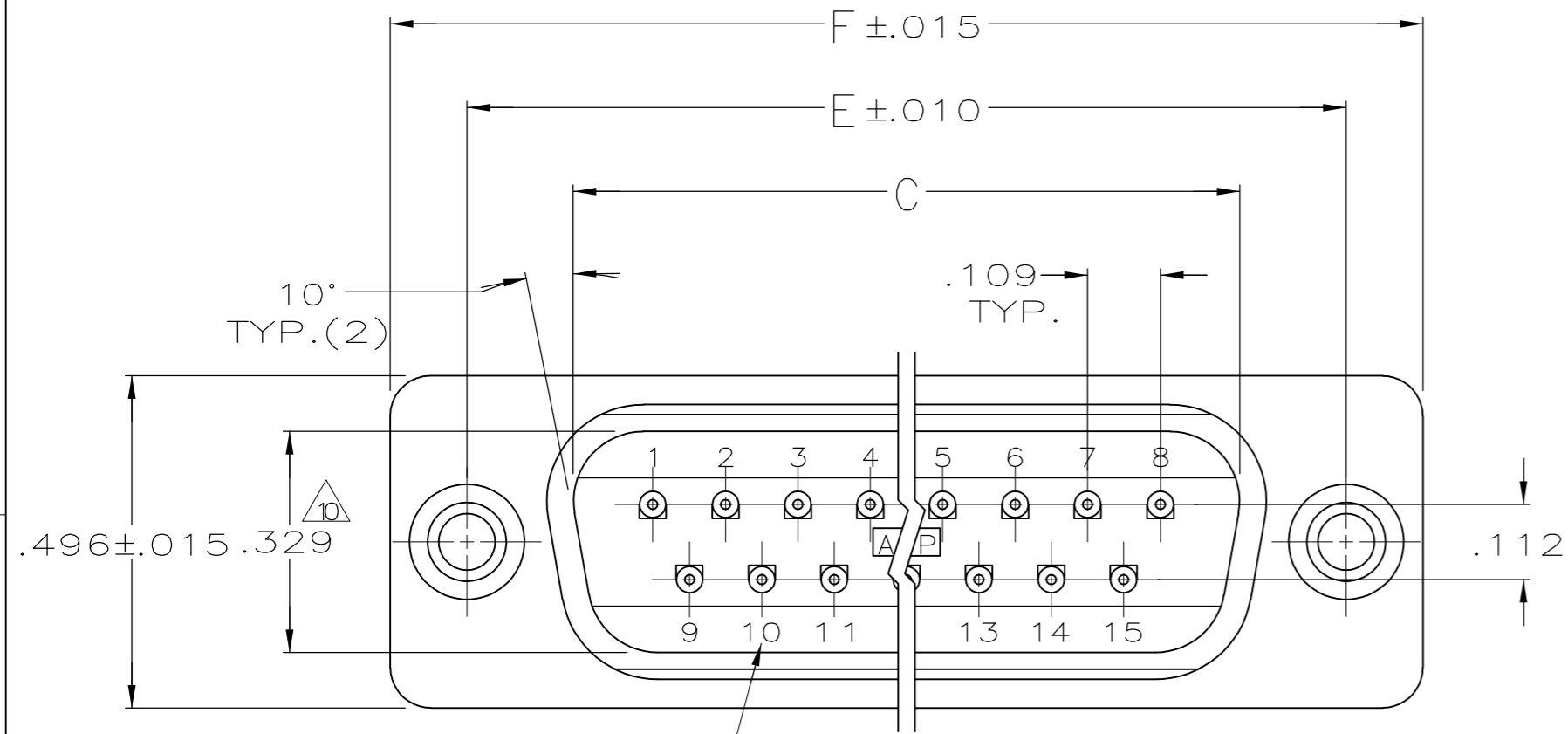
Email & Skype: info@chipsmall.com Web: www.chipsmall.com

Address: A1208, Overseas Decoration Building, #122 Zhenhua RD., Futian, Shenzhen, China

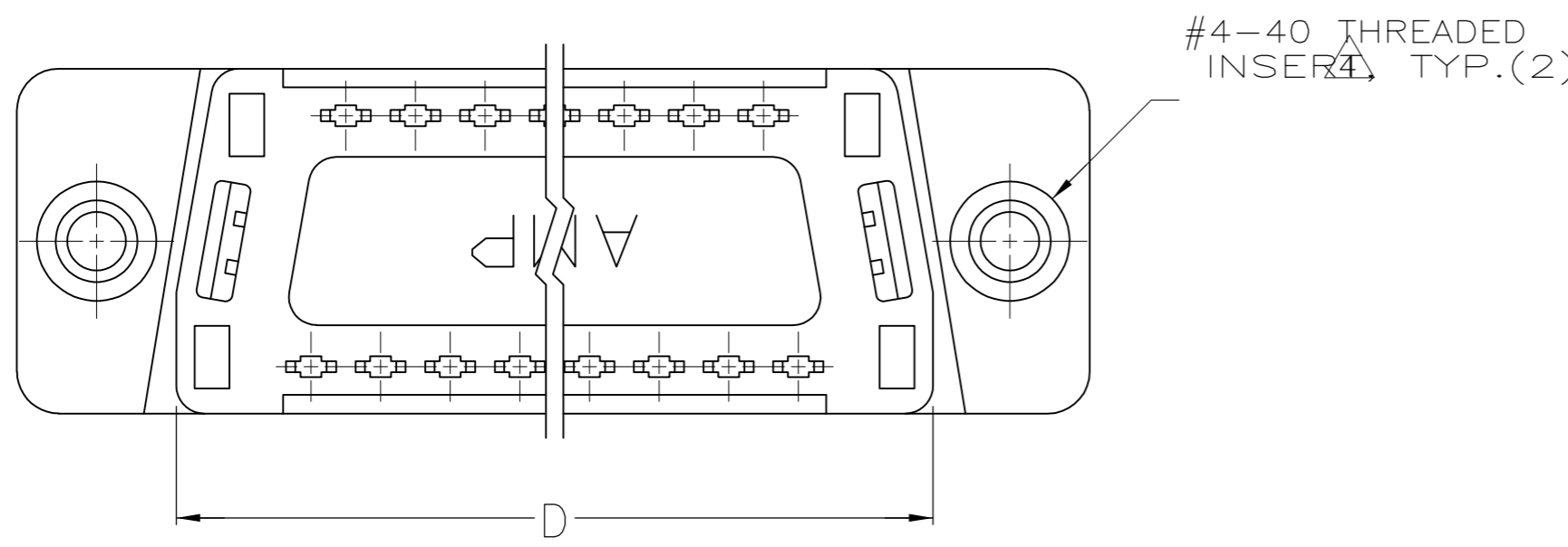
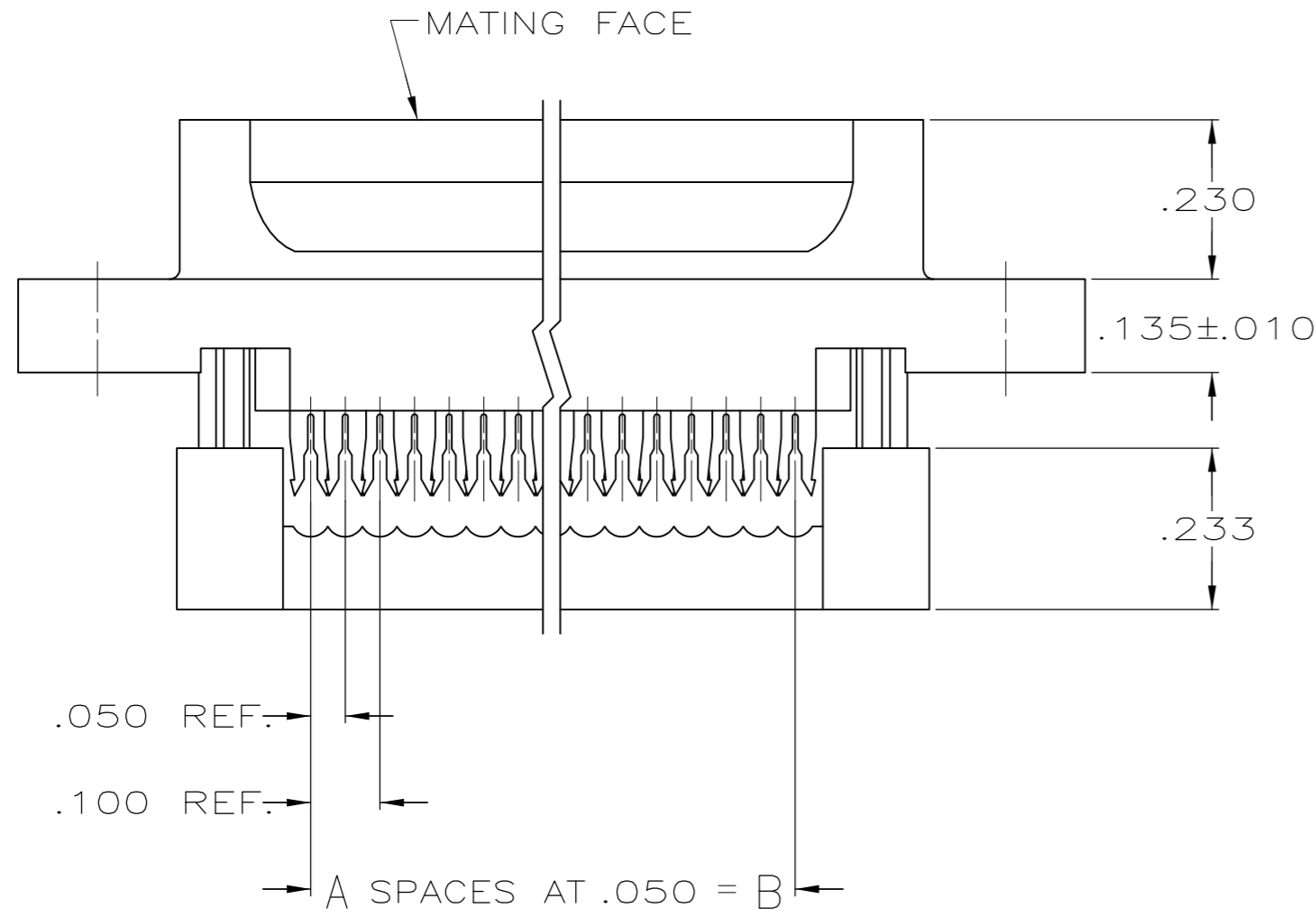


THIS DRAWING IS UNPUBLISHED. RELEASED FOR PUBLICATION
 © COPYRIGHT BY TYCO ELECTRONICS CORPORATION. ALL RIGHTS RESERVED.

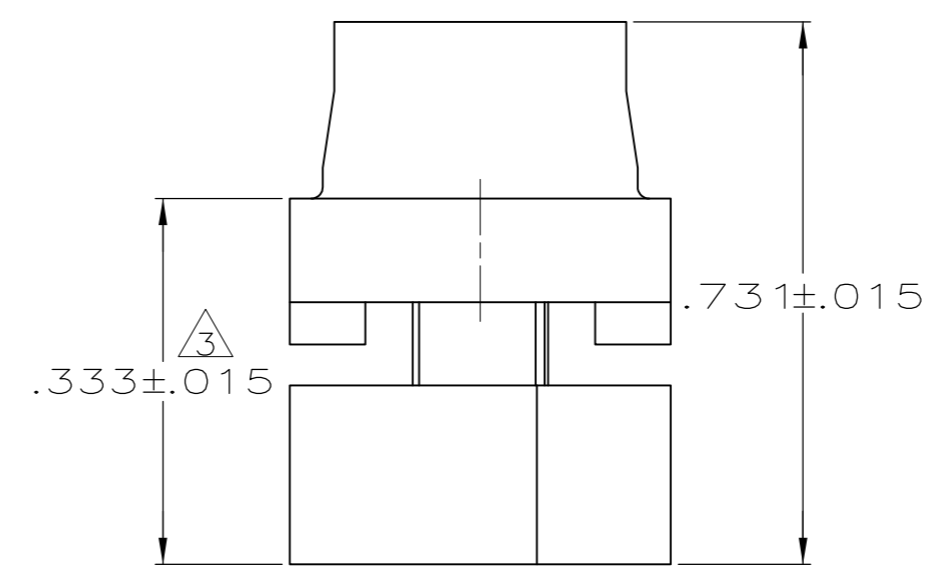
LOC		DIST		REVISIONS			
P	LTR	DESCRIPTION		DATE	DWN	APVD	
	C2	REVISED PER ECO-07-008164		15AUG07	JDP	CWR	



RAISED CAVITY IDENTIFICATION (15 POSITION SHOWN)



- CONNECTORS COMPLY WITH AMP SPEC. 108-40,012 AND MATE WITH ANY SAME NUMBER POSITION PLUG CONNECTOR IN AMPLIMITE SERIES.
- CONNECTOR DESIGNED FOR 28 AND 26 AWG STRANDED AND SOLID CONDUCTOR RIBBON CABLE ON .050 ϕ .
- DIMENSION APPLIES TO TERMINATED CONNECTOR.
- INSERTS WILL WITHSTAND 6 IN. LBS. TORQUE AND 50 LBS. PULL OUT FORCE FROM MATING FACE SIDE.
- MOLDED PARTS: FLAME RETARDANT 94V-0 RATED THERMOPLASTIC; COLOR: BLACK.
- CONTACTS: PHOS. BRONZE PER QQ-B-750.
- INSERTS: BRASS PER MIL-C-50.
- GOLD PLATING PER MIL-G-45204, BRIGHT TIN PLATING PER MIL-T-10727 (NOT TIN LEAD), NICKEL PLATING PER QQ-N-290.
- CONTACTS: .000030 GOLD ON MATING END, .000100-.000200 BRIGHT TIN OR BRIGHT TIN LEAD ON TERMINATION END, ALL OVER .000050 NICKEL ON ENTIRE CONTACT.
- DIMENSION APPLIES TO BASE OF SHROUD.
- ADVANCED PART NUMBER, NOT PRODUCTION TOOLED.



	1.764	1.526	1.287	1.140	.900	18	19	747053-5
OBSOLETE	1.216	.984	.759	.666	.400	8	9	747053-4
OBSOLETE	1.541	1.312	1.087	.994	.700	14	15	747053-3
OBSOLETE	2.090	1.852	1.623	1.534	1.200	24	25	747053-2
OBSOLETE	2.732	2.500	2.275	2.183	1.800	36	37	747053-1
	F	E	D	C	B	A	NO.OF POS.	PART NUMBER

THIS DRAWING IS A CONTROLLED DOCUMENT.

DIMENSIONS: INCHES	TOLERANCES UNLESS OTHERWISE SPECIFIED:	DWN J. GERACE 01NOV82	Tyco Electronics Corporation Harrisburg, PA 17105-3608
		CHK J. GERACE 01NOV82	
		APVD R. LEGGETT 05NOV82	NAME
			PLUG ASSEMBLY, LOW PROFILE HDF, WITH PRE-ASSEMBLED COVER AND THREADED INSERTS
			SIZE CAGE CODE DRAWING NO RESTRICTED TO
			A2 00779 C=747053
MATERIAL	FINISH	WEIGHT	SCALE SHEET 1 of 1 REV C2
			CUSTOMER DRAWING