



Chipsmall Limited consists of a professional team with an average of over 10 year of expertise in the distribution of electronic components. Based in Hongkong, we have already established firm and mutual-benefit business relationships with customers from,Europe,America and south Asia,supplying obsolete and hard-to-find components to meet their specific needs.

With the principle of “Quality Parts,Customers Priority,Honest Operation,and Considerate Service”,our business mainly focus on the distribution of electronic components. Line cards we deal with include Microchip,ALPS,ROHM,Xilinx,Pulse,ON,Everlight and Freescale. Main products comprise IC,Modules,Potentiometer,IC Socket,Relay,Connector.Our parts cover such applications as commercial,industrial, and automotives areas.

We are looking forward to setting up business relationship with you and hope to provide you with the best service and solution. Let us make a better world for our industry!



Contact us

Tel: +86-755-8981 8866 Fax: +86-755-8427 6832

Email & Skype: info@chipsmall.com Web: www.chipsmall.com

Address: A1208, Overseas Decoration Building, #122 Zhenhua RD., Futian, Shenzhen, China



DRAWING MADE IN THIRD ANGLE PROJECTION

THIS DRAWING IS UNPUBLISHED. RELEASED FOR PUBLICATION , 19

© COPYRIGHT 19

BY AMP INCORPORATED. ALL INTERNATIONAL RIGHTS RESERVED.

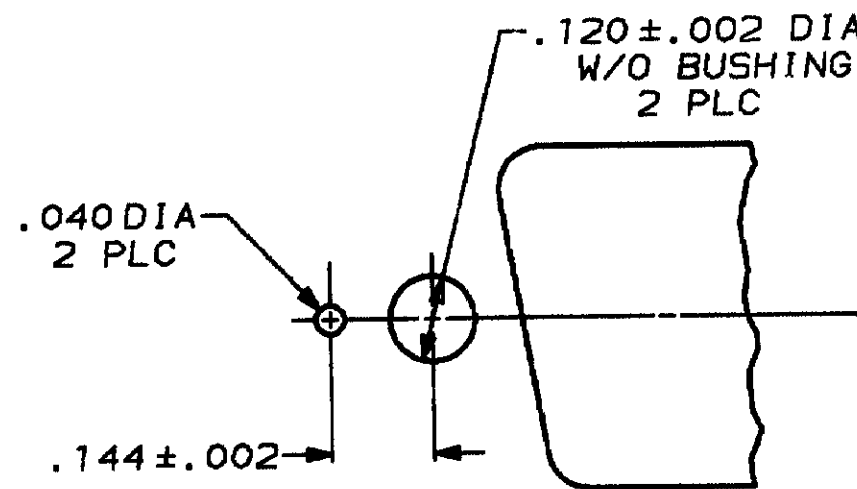
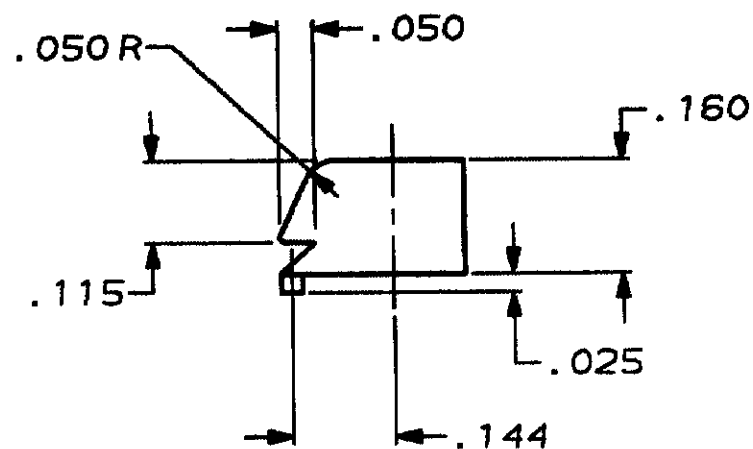
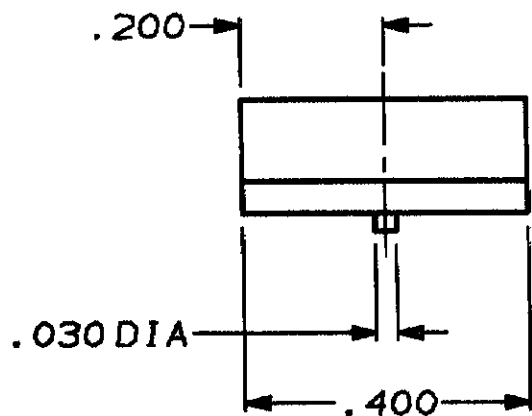
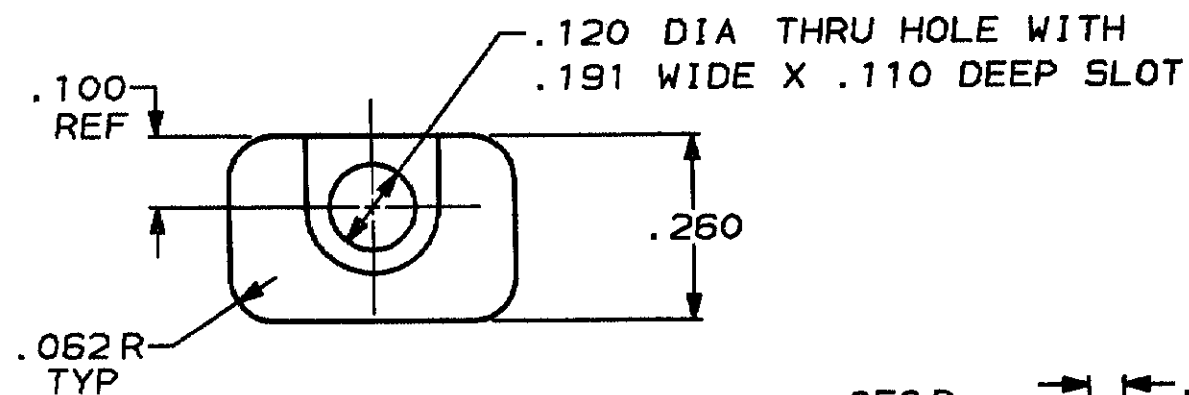
MOD	LOC	DIST
8	BD	39

P	F
✓	✓

ZONE	LTR
	B

REVISIONS

DESCRIPTION	DATE	APPD
REDRAWN ON CAD	4-10-90	-



PANEL CUTOUT DETAIL
NTS

OBSOLETE	BULK PACKAGED	2	747080-3
	ONE KIT PER BAG	2	747080-2
	PACKAGING	QUANTITY	PART NUMBER

DO NOT SCALE PRINT.
UNLESS SPECIFIED
DIMENSIONS IN INCHES
TOLERANCES ON:
2 PLC DEC * -
3 PLC DEC * .005
ANGLES * -

MATERIAL
ZINC

FINISH
-

DR 4-10-90
J. GALLUCCI 89

CHK *[Signature]*

APPD *[Signature]* 7-11-90

APPD *[Signature]* 7-16-90

PRODUCT SPEC

APPLICATION SPEC
-

WEIGHT -

AMP AMP INCORPORATED
Harrisburg, Pa. 17105

LATCHING BLOCK,
AMPLIMITE™

SIZE	FSCM NO	DRAWING NO
B	00779	747080
SCALE	SHEET	
4:1	1 OF 1	