



Chipsmall Limited consists of a professional team with an average of over 10 year of expertise in the distribution of electronic components. Based in Hongkong, we have already established firm and mutual-benefit business relationships with customers from,Europe,America and south Asia,supplying obsolete and hard-to-find components to meet their specific needs.

With the principle of “Quality Parts,Customers Priority,Honest Operation,and Considerate Service”,our business mainly focus on the distribution of electronic components. Line cards we deal with include Microchip,ALPS,ROHM,Xilinx,Pulse,ON,Everlight and Freescale. Main products comprise IC,Modules,Potentiometer,IC Socket,Relay,Connector.Our parts cover such applications as commercial,industrial, and automotives areas.

We are looking forward to setting up business relationship with you and hope to provide you with the best service and solution. Let us make a better world for our industry!



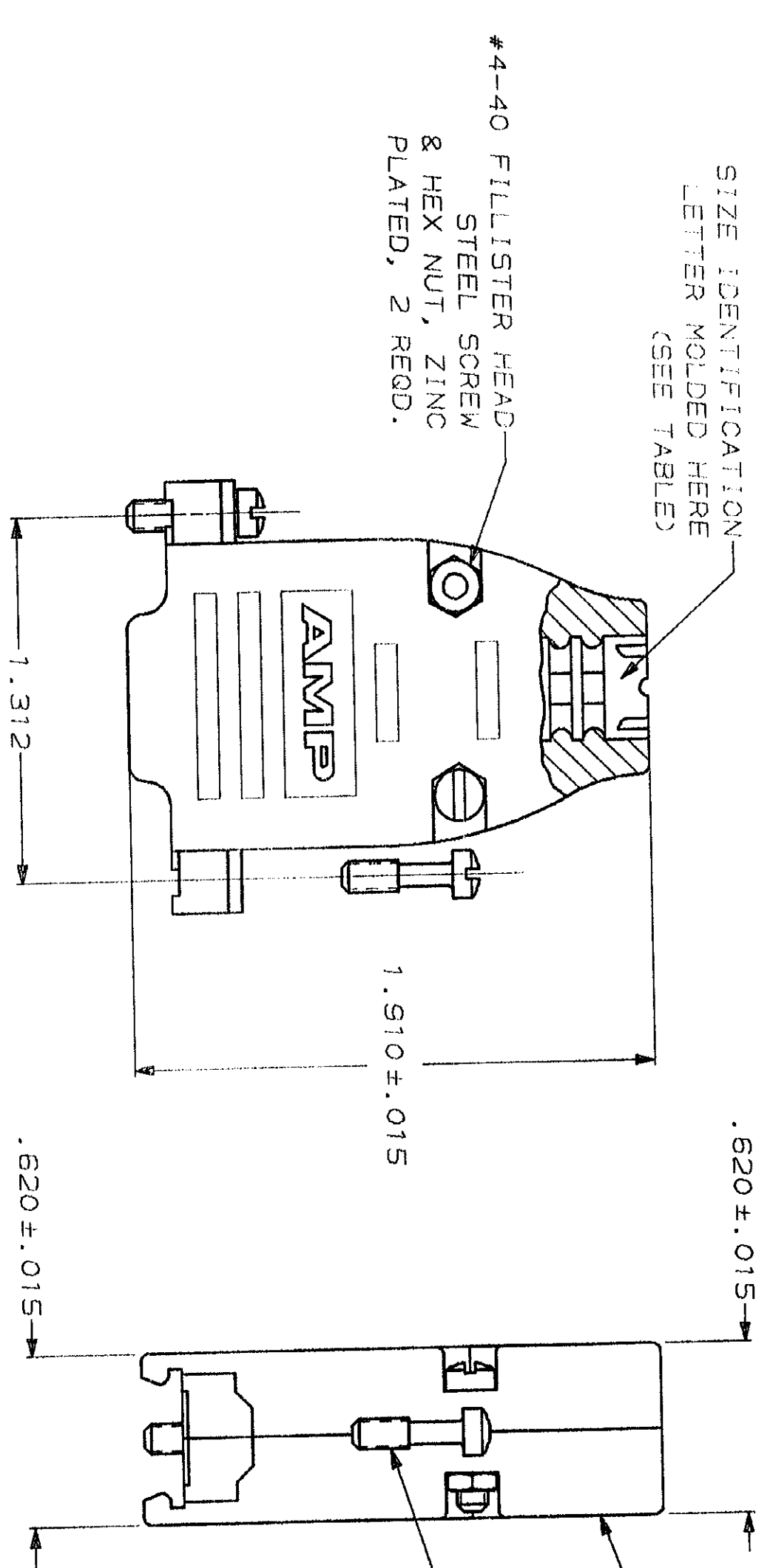
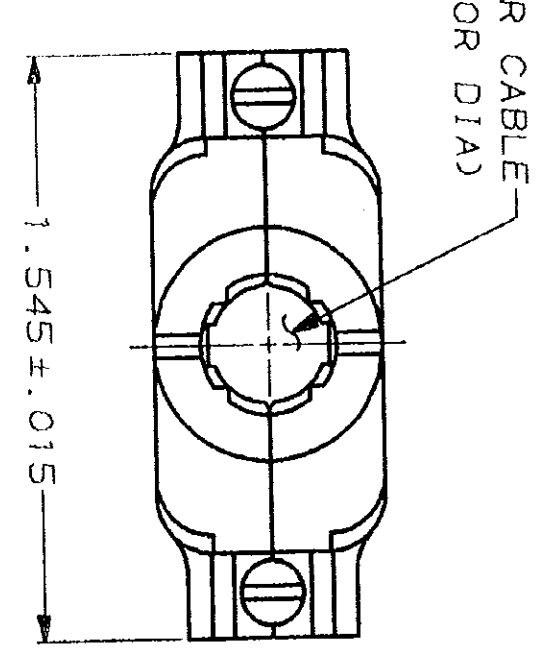
Contact us

Tel: +86-755-8981 8866 Fax: +86-755-8427 6832

Email & Skype: info@chipsmall.com Web: www.chipsmall.com

Address: A1208, Overseas Decoration Building, #122 Zhenhua RD., Futian, Shenzhen, China





- 1 ALL PARTS PACKAGED UNASSEMBLED.
- 2 AS SHOWN ABOVE, THIS KIT CONSISTS OF 2 STRAIN RELIEF HALVES, 2 #4-40 SCREWS, 2 #4-40 NUTS & 2 #4-40 MOUNTING SCREWS.
- 3 SAME AS SHOWN, EXCEPT: EACH PART IS INDIVIDUALLY BULK PACKED FOR MULTIPLE KIT ORDERS.
- 4 OBSOLETE

MOD	LOC	DIST	P	F	ZONE	LTR	DESCRIPTION	DATE	APPD
22	BD	39					REDRAWN ON CAD	5-16-90	

REMARKS	SIZE IDENT LETTER	CABLE DIA	BULK PACKED KIT NO	INDIVIDUAL KIT NO
1	B	.225	747099-8	747099-7
	E	.300	747099-6	747099-5
	H	.375	747099-4	747099-3
	K	.430	747099-2	747099-1

DO NOT SCALE PRINT. UNLESS SPECIFIED DIMENSIONS IN INCHES TOLERANCES ON:

2 PLC DEC ± .005

3 PLC DEC ± .005

ANGLES MATERIAL

FINISH SEE CALLOUT

DR 5-16-90 J GALLUCI BG

CHK - 6-15-90

APPD - 7-9-90

APPD - 7-16-90

PRODUCT SPEC

NAME: CABLE CLAMP KIT, SIZE 2, 15 POSN, 180°, PLATED PLASTIC, AMPLIMITE™

AMP INCORPORATED, Harrisburg, Pa. 17105

SIZE: C 00779

SCALE: 2:1

DRAWING NO: 747099

SHEET: 1 OF 1