



Chipsmall Limited consists of a professional team with an average of over 10 year of expertise in the distribution of electronic components. Based in Hongkong, we have already established firm and mutual-benefit business relationships with customers from,Europe,America and south Asia,supplying obsolete and hard-to-find components to meet their specific needs.

With the principle of “Quality Parts,Customers Priority,Honest Operation,and Considerate Service”,our business mainly focus on the distribution of electronic components. Line cards we deal with include Microchip,ALPS,ROHM,Xilinx,Pulse,ON,Everlight and Freescale. Main products comprise IC,Modules,Potentiometer,IC Socket,Relay,Connector.Our parts cover such applications as commercial,industrial, and automotives areas.

We are looking forward to setting up business relationship with you and hope to provide you with the best service and solution. Let us make a better world for our industry!



Contact us

Tel: +86-755-8981 8866 Fax: +86-755-8427 6832

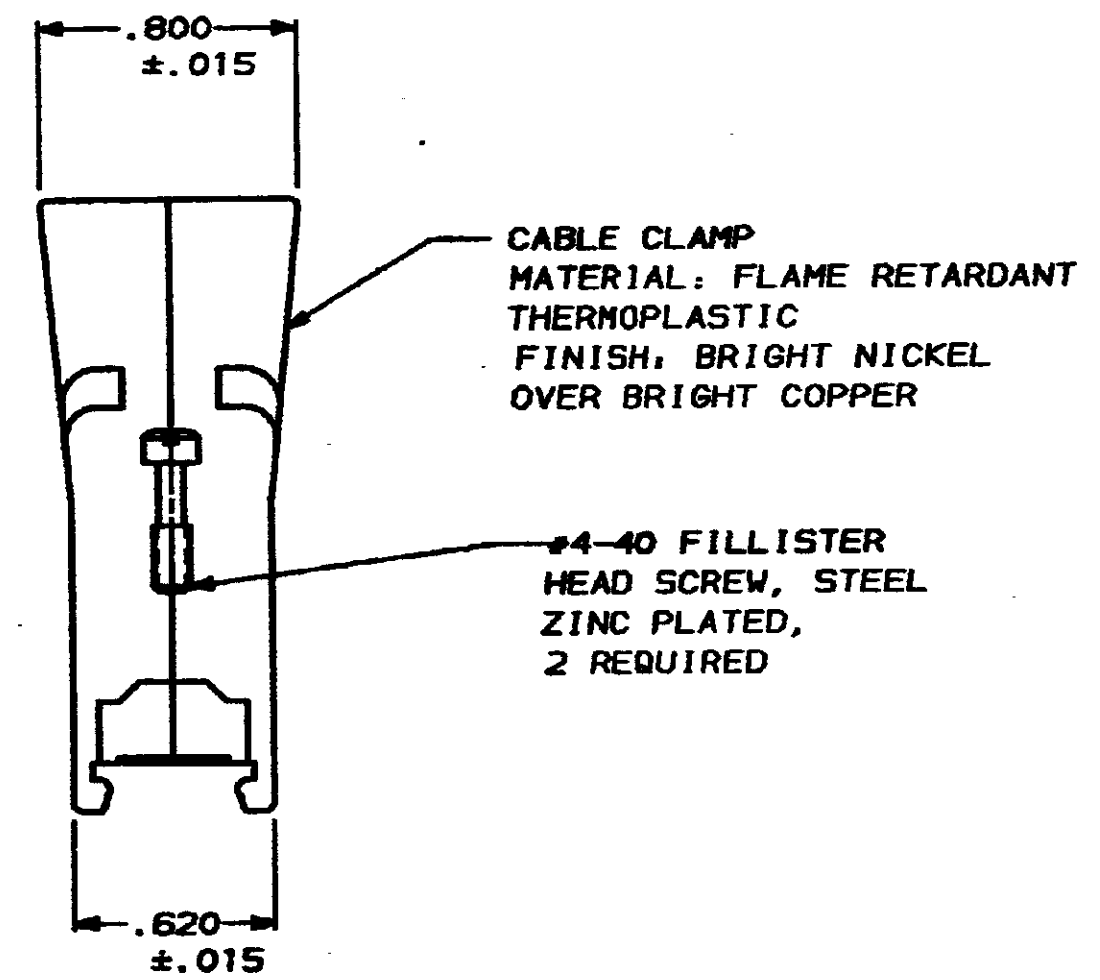
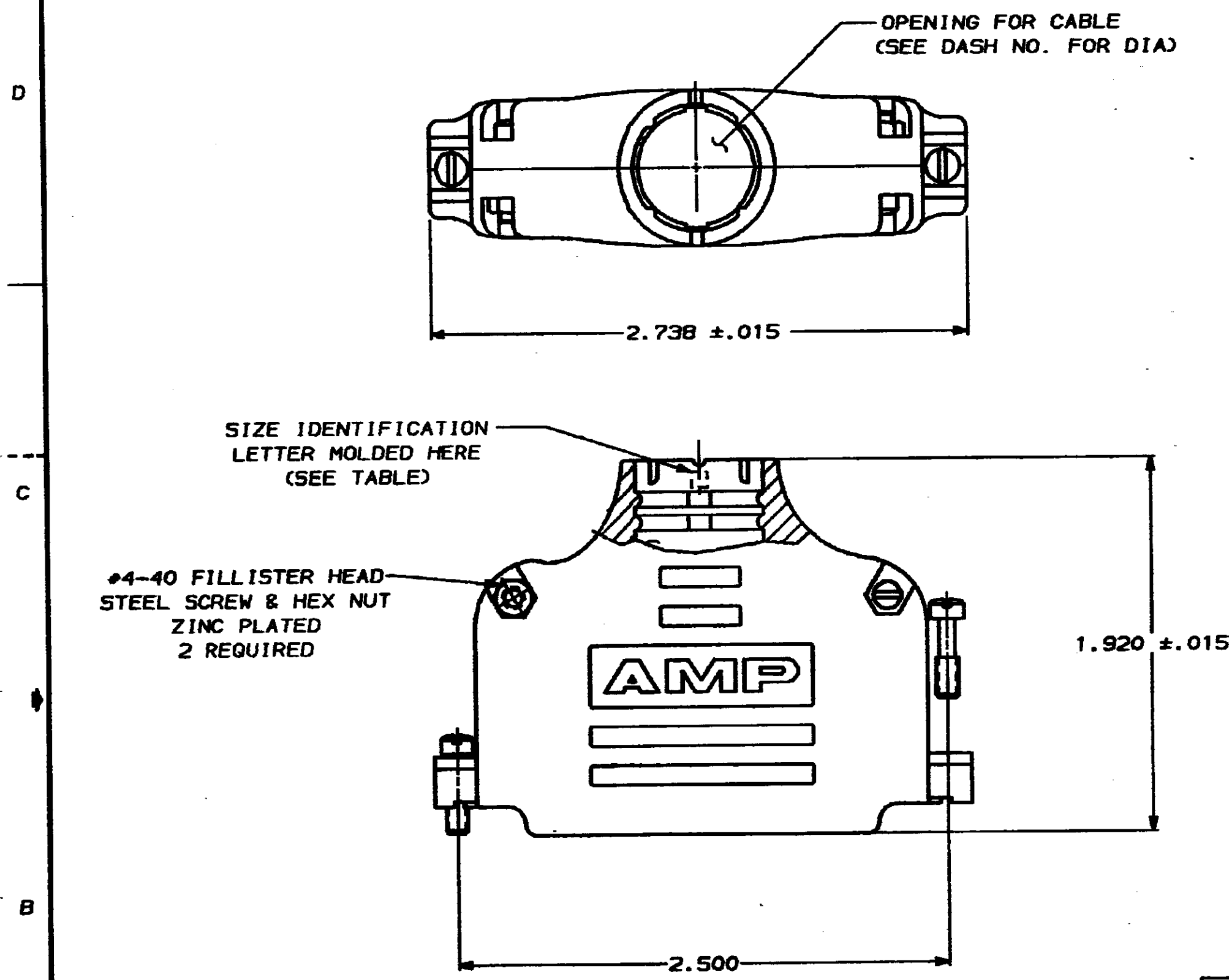
Email & Skype: info@chipsmall.com Web: www.chipsmall.com

Address: A1208, Overseas Decoration Building, #122 Zhenhua RD., Futian, Shenzhen, China



DRAWING MADE IN THIRD ANGLE PROJECTION
 THIS DRAWING IS UNPUBLISHED. RELEASED FOR PUBLICATION .19
 © COPYRIGHT 19 BY AMP INCORPORATED. ALL INTERNATIONAL RIGHTS RESERVED.

REVISE		DATE		BY		DESCRIPTION		DATE	APPD
22	BD	39				B	REDRAWN	7/23/90	-



- ⚠ ALL PARTS PACKAGED UNASSEMBLED.
- ⚠ AS SHOWN ABOVE THIS KIT CONSISTS OF 2 STRAIN RELIEF HALVES, 2 #4-40 SCREWS, 2 #4-40 NUTS & 2 #4-40 MOUNTING SCREWS.
- ⚠ SAME AS SHOWN EXCEPT, EACH PART IS INDIVIDUALLY BULK PACKED FOR MULTIPLE KIT ORDERS.
- ⚠ OBSOLETE.

REMARKS	SIZE IDENT	CABLE DIA	BULK PACKED KIT NO.	INDIVIDUAL KIT NO.
	P	.530	1-747100-0	1-747100-1
	F	.350	747100-8	747100-9
	J	.425	747100-6	747100-7
	N	.500	747100-4	747100-5
	R	.575	747100-2	747100-3
	T	.650		747100-1

DO NOT SCALE PRINT. UNLESS SPECIFIED DIMENSIONS IN INCHES. TOLERANCES ON: 2 PLC DEC ± .005 ANGLES ± .		DR 7/23/90 A. STAUB DC		AMP INCORPORATED Harrisburg, Pa. 17105	
CHK <i>J. Muller</i> 9-10-90		APPD <i>J. O'Neil</i> 7-10-90		NAME	
MATERIAL SEE CALLOUT		PRODUCT SPEC		CABLE CLAMP KIT, SIZE 4, 37 POSITION, 180° AMPLIMITE™ SERIES, PLATED PLASTIC	
FINISH SEE CALLOUT		APPLICATION SPEC		SIZE C	FSCH NO 00779
WEIGHT		SCALE 4:1		DRAWING NO 747100	
				SHEET 1 OF 1	