



Chipsmall Limited consists of a professional team with an average of over 10 year of expertise in the distribution of electronic components. Based in Hongkong, we have already established firm and mutual-benefit business relationships with customers from,Europe,America and south Asia,supplying obsolete and hard-to-find components to meet their specific needs.

With the principle of “Quality Parts,Customers Priority,Honest Operation,and Considerate Service”,our business mainly focus on the distribution of electronic components. Line cards we deal with include Microchip,ALPS,ROHM,Xilinx,Pulse,ON,Everlight and Freescale. Main products comprise IC,Modules,Potentiometer,IC Socket,Relay,Connector.Our parts cover such applications as commercial,industrial, and automotives areas.

We are looking forward to setting up business relationship with you and hope to provide you with the best service and solution. Let us make a better world for our industry!



Contact us

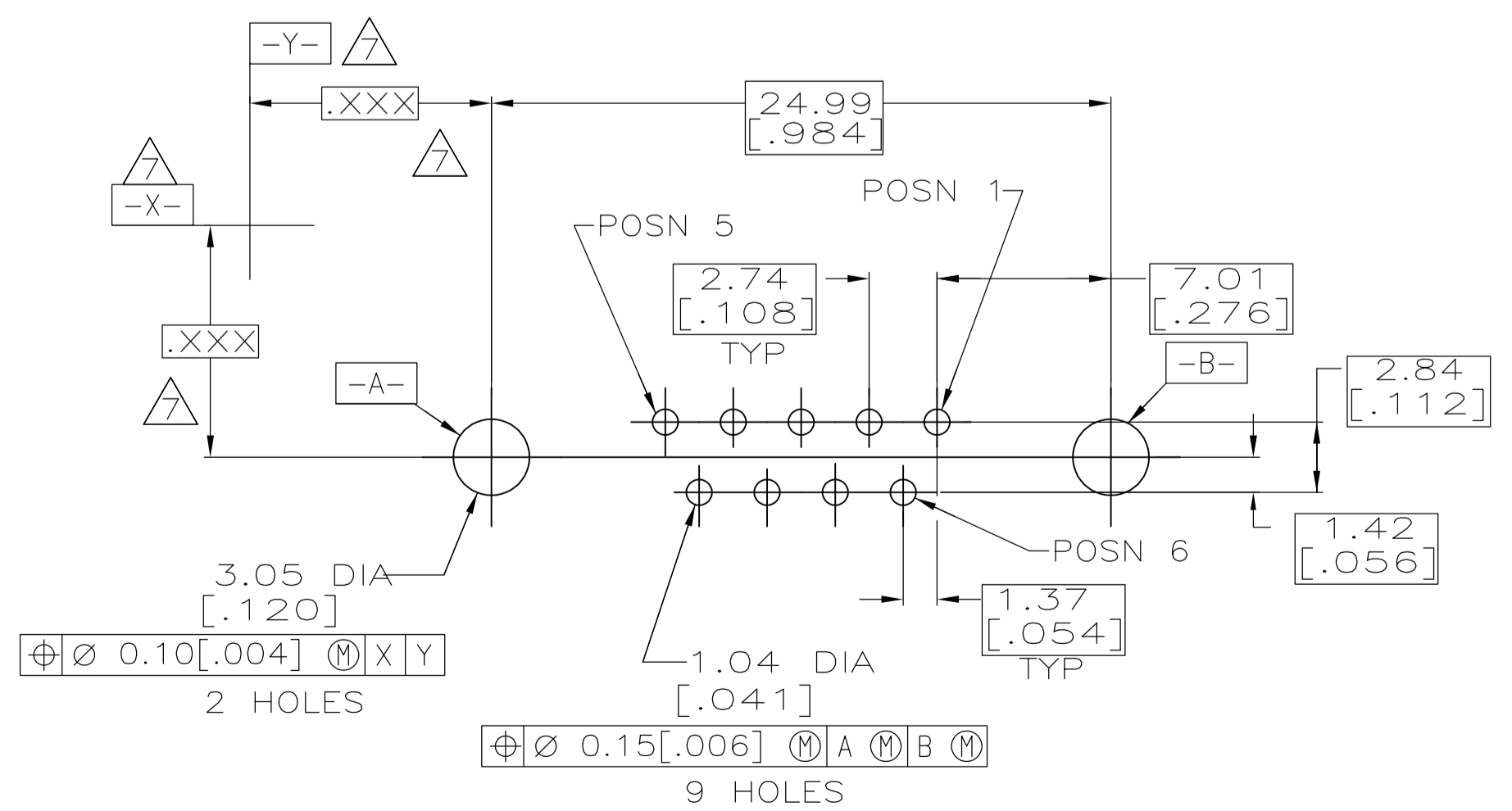
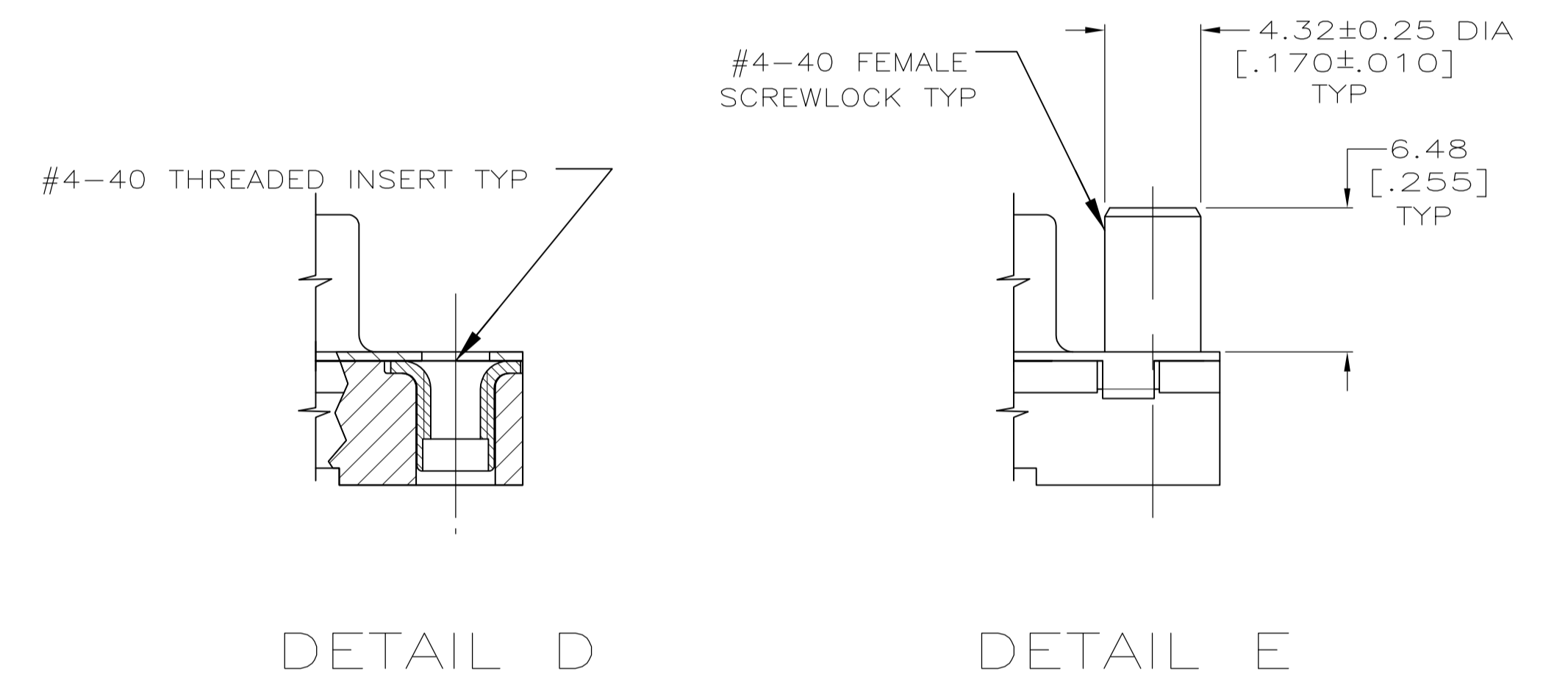
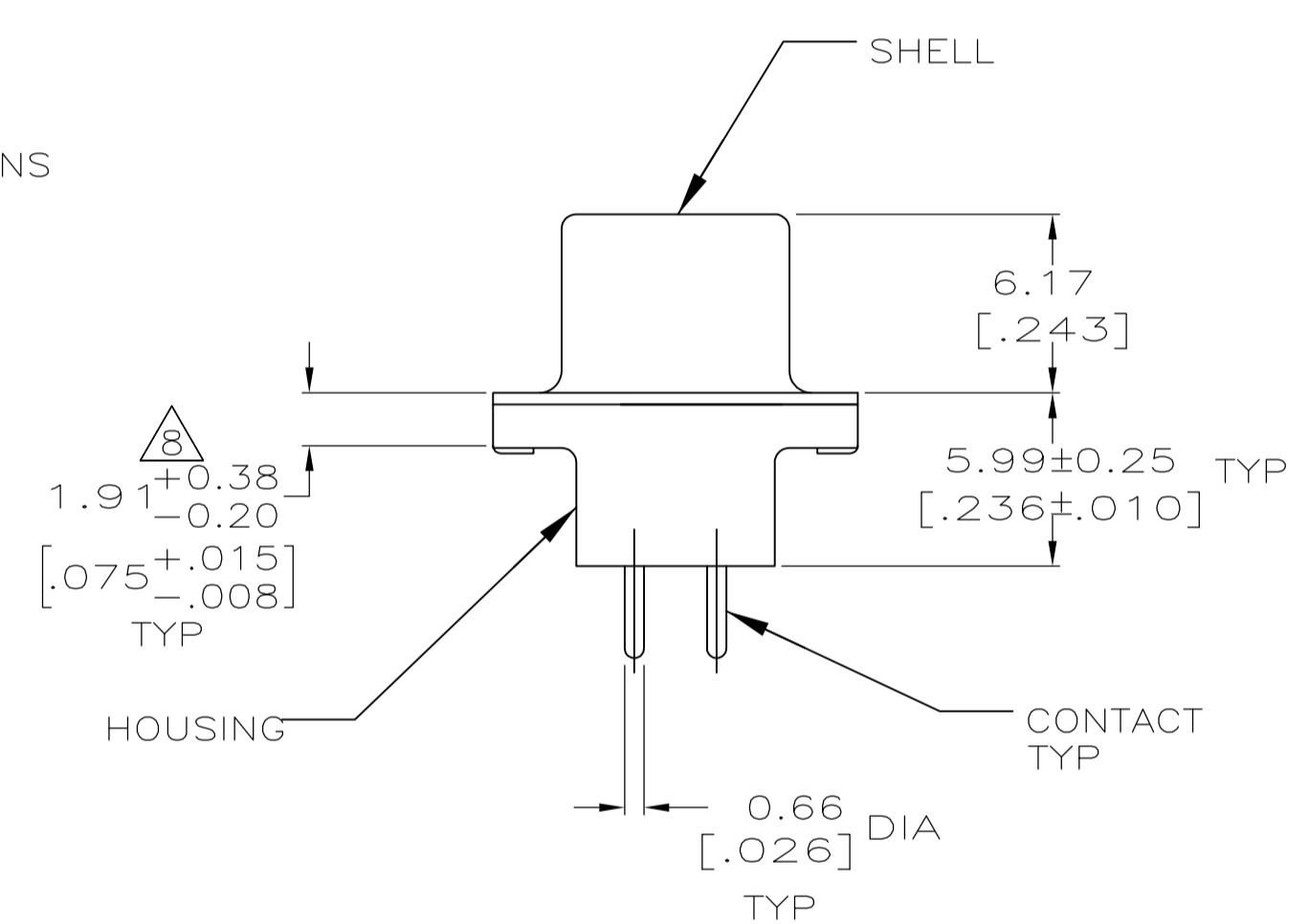
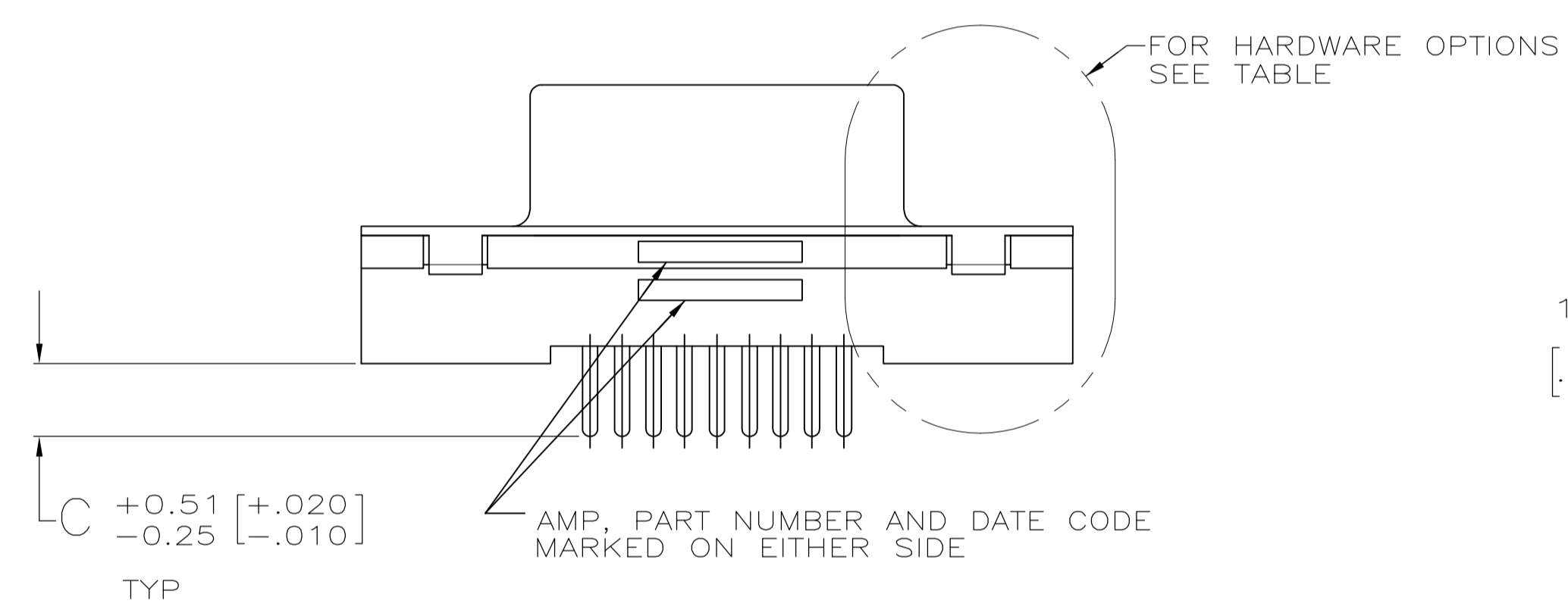
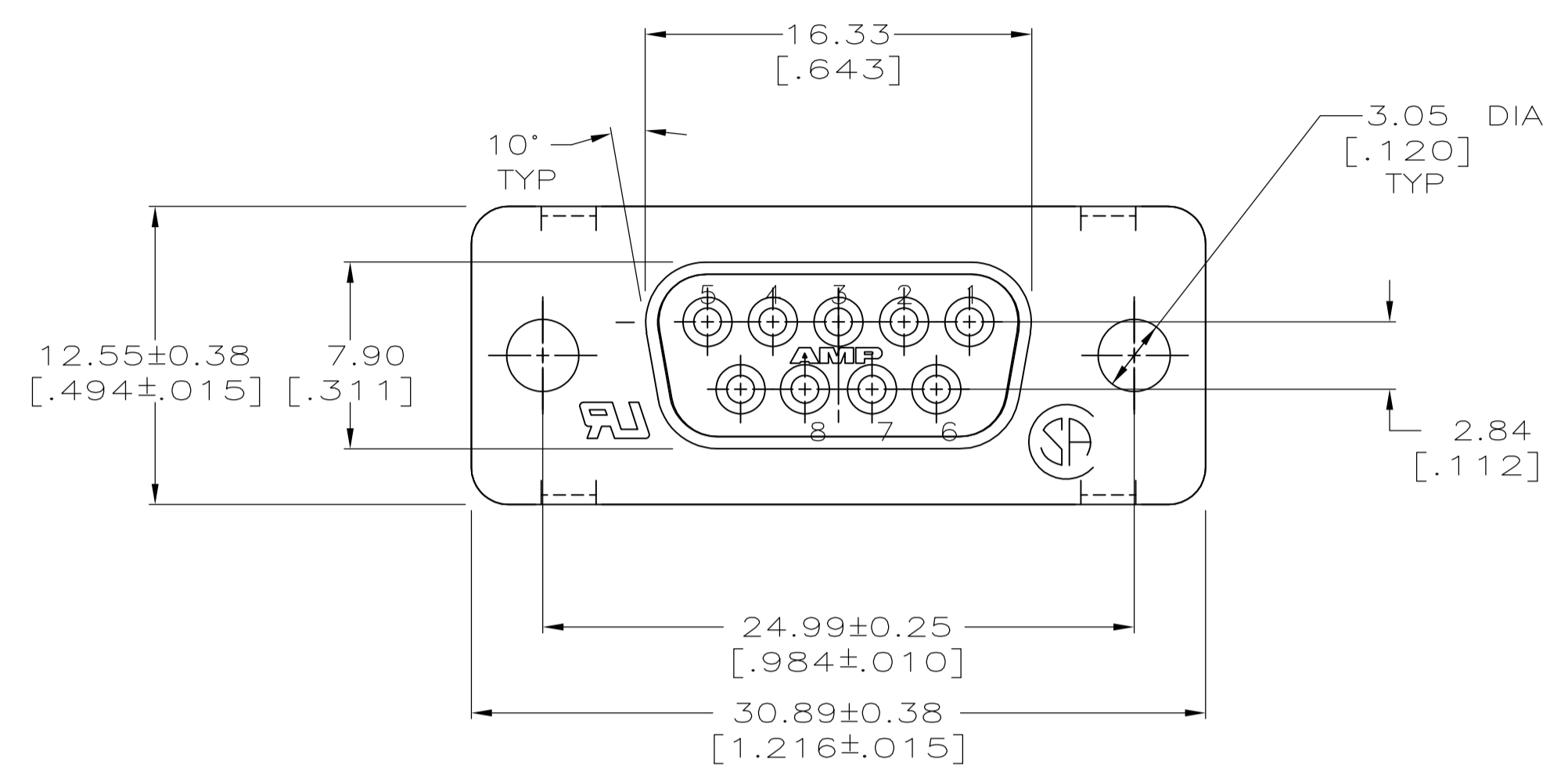
Tel: +86-755-8981 8866 Fax: +86-755-8427 6832

Email & Skype: info@chipsmall.com Web: www.chipsmall.com

Address: A1208, Overseas Decoration Building, #122 Zhenhua RD., Futian, Shenzhen, China



- 1 HOUSING: POLYESTER, UL 94V-0 RATED, BLACK.
- 2 SHELL: CARBON STEEL.
- 3 SHELL: 5.08um [.000200] MIN TIN OVER 2.54um [.000100] MIN COPPER.
- 4 GOLD FLASH FOR A LENGTH OF 2.54[.100] MIN FROM MATING END, 2.54um [.000100] MIN TIN OR TIN-LEAD ON OPPOSITE END, BOTH OVER 1.27um [.000050] MIN NICKEL.
- 5 0.76um [.000030] MIN GOLD FOR A LENGTH OF 2.54 [.100] MIN FROM MATING END, 2.54um [.000100] MIN TIN OR TIN-LEAD ON OPPOSITE END, BOTH OVER 1.27um [.000050] MIN NICKEL.
- 6 NOTE DELETED.
- 7 DATUMS AND BASIC DIMENSIONS ESTABLISHED BY CUSTOMER.
- 8 2.79[.110] MAX IN SHELL TAB CLINCH AREAS.
- 9 SUPERSEDED BY 747150-2.
- 10 SUPERSEDED BY 747150-9.
- 11 SUPERSEDED BY 1-747150-6.
- 12 OBSOLETE.
- 13 CONTACTS: PHOSPHOR BRONZE.
- 14 SCREWLOCKS: ZINC.
- 15 INSERTS: BRASS.



RECOMMENDED PC BOARD LAYOUT
CONNECTOR SIDE OF PC BOARD

W/FEMALE SCREWLOCKS PER DETAIL E	5	4.32 [.170]	1-747150-6
	4	4.32 [.170]	1-747150-5
	5	3.18 [.125]	1-747150-4
W/THREADED INSERTS PER DETAIL D	4	3.18 [.125]	1-747150-3
	4	6.35 [.250]	1-747150-1
	5	4.32 [.170]	1-747150-0
WO/FEMALE SCREWLOCKS OR THREADED INSERTS AS SHOWN	4	4.32 [.170]	747150-9
	5	3.18 [.125]	747150-8
	4	3.18 [.125]	747150-7
HARDWARE OPTIONS	5	4.32 [.170]	747150-4
	5	3.18 [.125]	747150-2
	4	3.18 [.125]	747150-1
CONTACTS	C		PART NO
FINISH	C		

THIS DRAWING IS A CONTROLLED DOCUMENT. **STE** TE Connectivity

DIMENSIONS: mm [INCHES]	TOLERANCES UNLESS OTHERWISE SPECIFIED:	DIN D BROCKWAY 3-22-93	DRW R STONE 5-10-93
0 PLC ± -	1 PLC ± -	2 PLC ± 0.13 [.005]	3 PLC ± -
4 PLC ± -	ANGLES ± -	PRODUCT SPEC 108-40025	APPLICATION SPEC 114-40023
MATERIAL	FINISH	WEIGHT	SIZE
1 2 3 4 5	3	—	A1
CONTACTS: SEE TABLE	CUSTOMER DRAWING	SCALE 4:1	SHEET 1 OF 1

RECEPTACLE ASSEMBLY, SIZE 1, 9 POSITION FRONT METAL SHELL, WITH OR WITHOUT SCREWLOCKS OR INSERTS.

00779 C=747150