



Chipsmall Limited consists of a professional team with an average of over 10 year of expertise in the distribution of electronic components. Based in Hongkong, we have already established firm and mutual-benefit business relationships with customers from,Europe,America and south Asia,supplying obsolete and hard-to-find components to meet their specific needs.

With the principle of "Quality Parts,Customers Priority,Honest Operation,and Considerate Service",our business mainly focus on the distribution of electronic components. Line cards we deal with include Microchip,ALPS,ROHM,Xilinx,Pulse,ON,Everlight and Freescale. Main products comprise IC,Modules,Potentiometer,IC Socket,Relay,Connector.Our parts cover such applications as commercial,industrial, and automotives areas.

We are looking forward to setting up business relationship with you and hope to provide you with the best service and solution. Let us make a better world for our industry!



Contact us

Tel: +86-755-8981 8866 Fax: +86-755-8427 6832

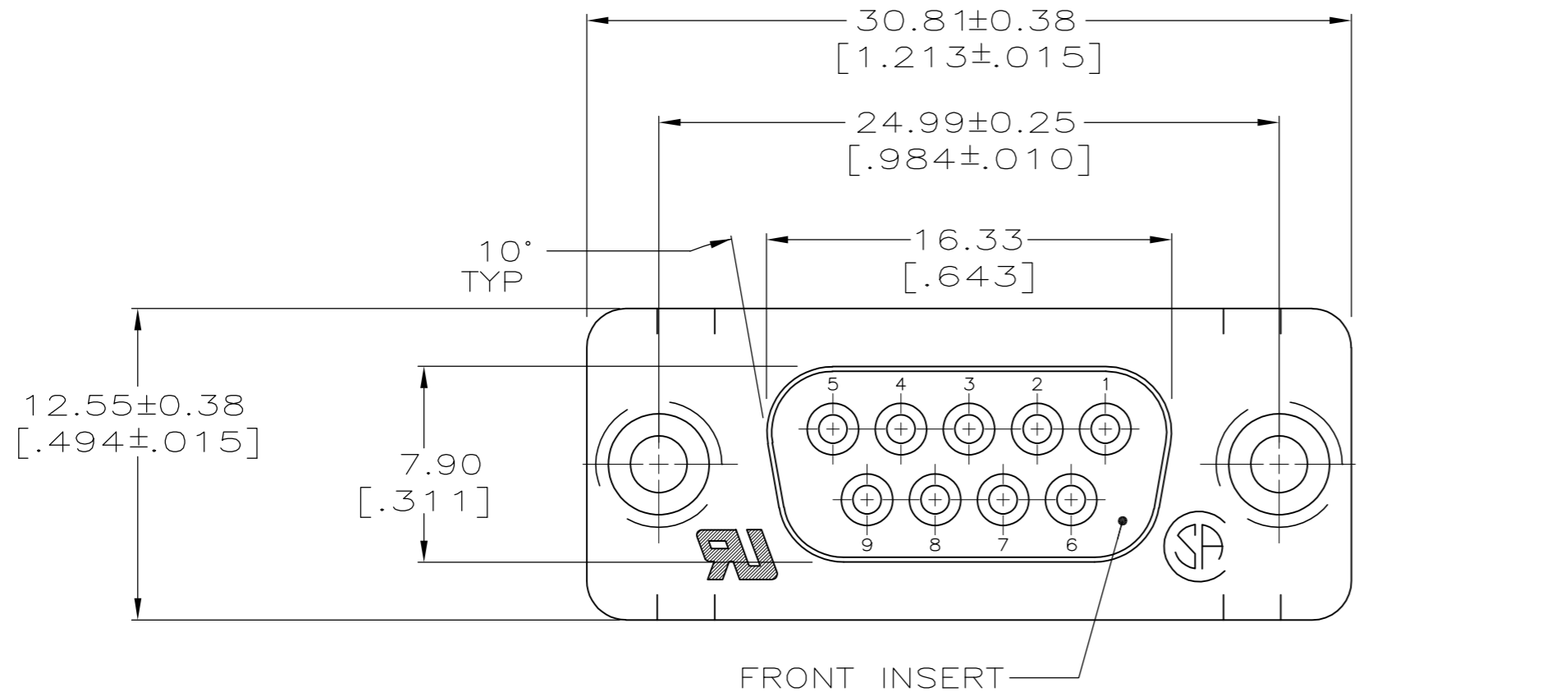
Email & Skype: info@chipsmall.com Web: www.chipsmall.com

Address: A1208, Overseas Decoration Building, #122 Zhenhua RD., Futian, Shenzhen, China

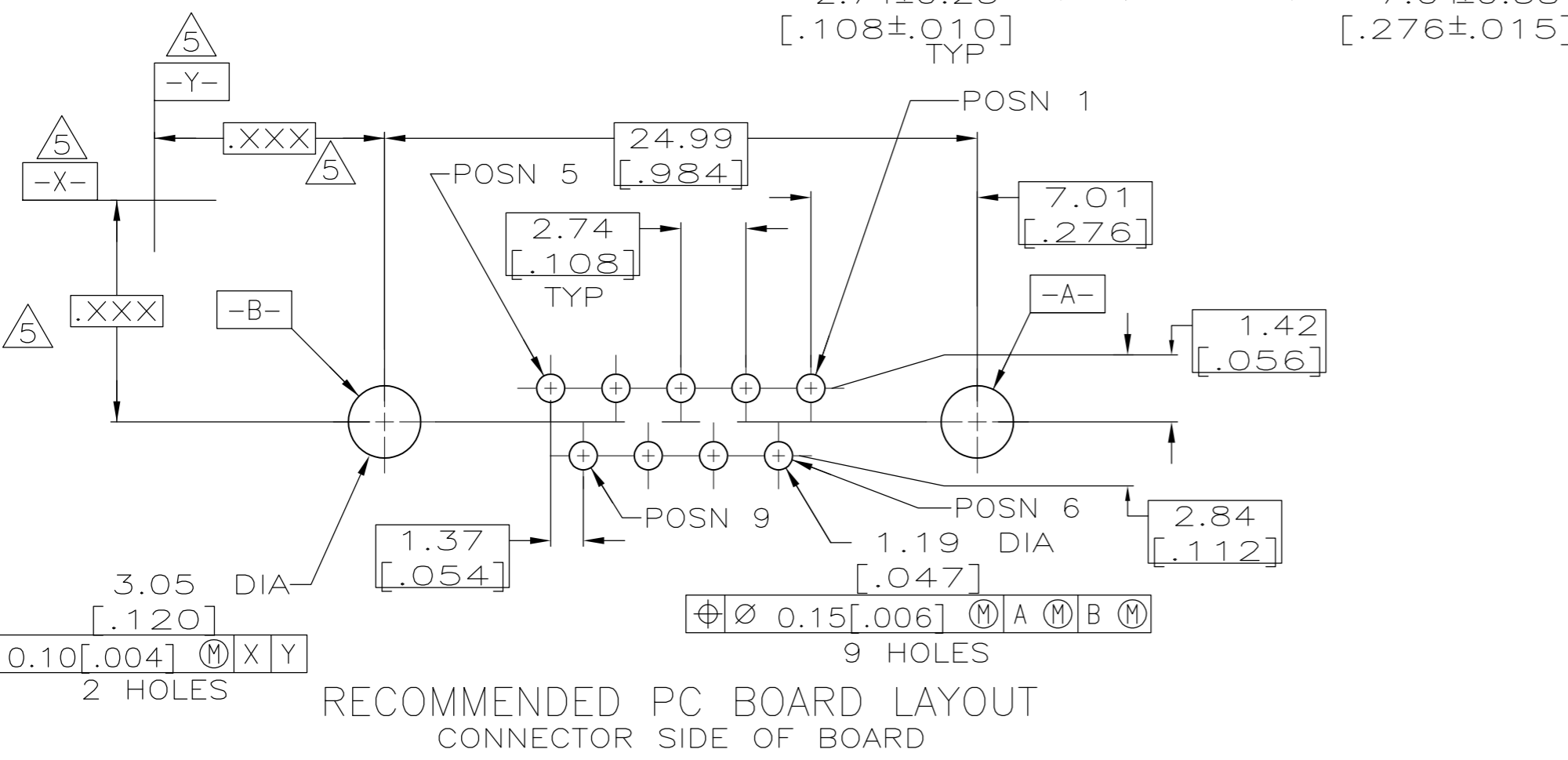
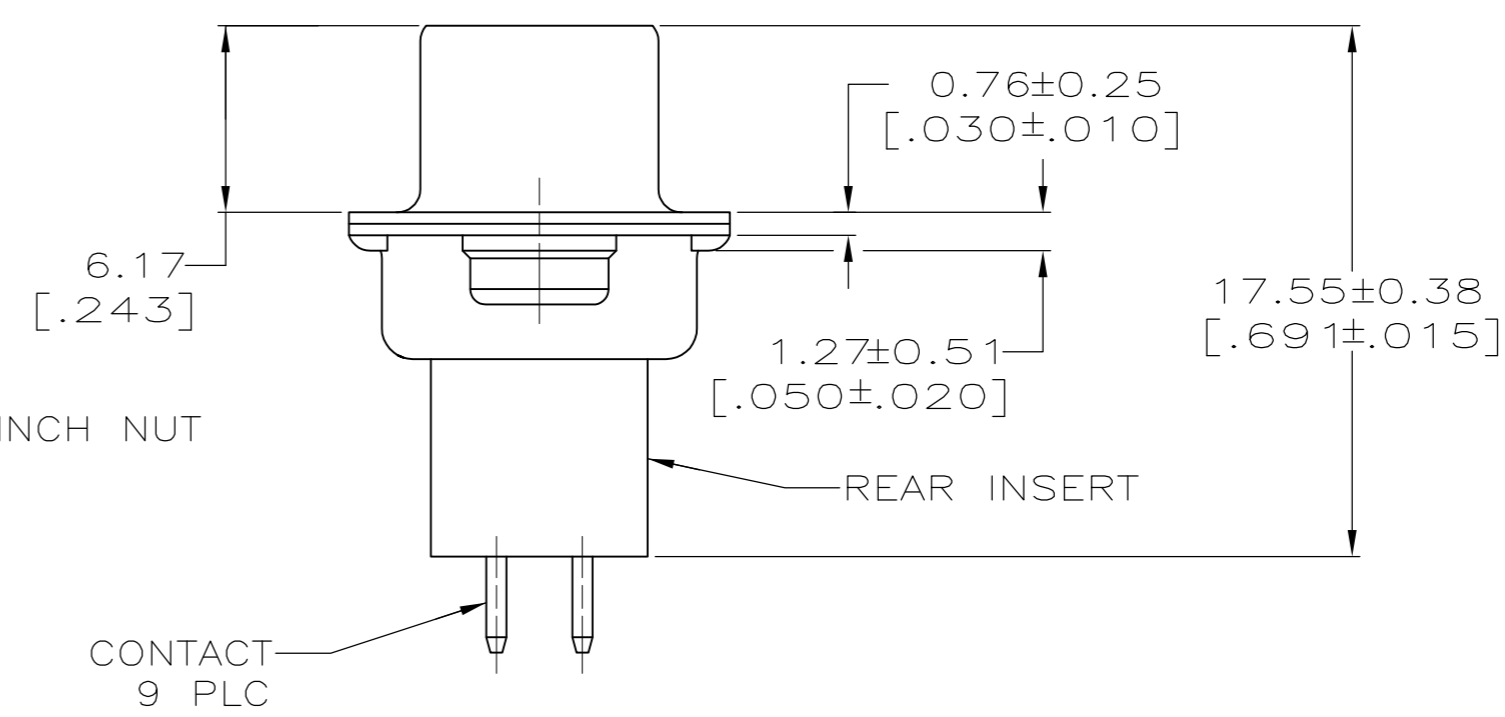
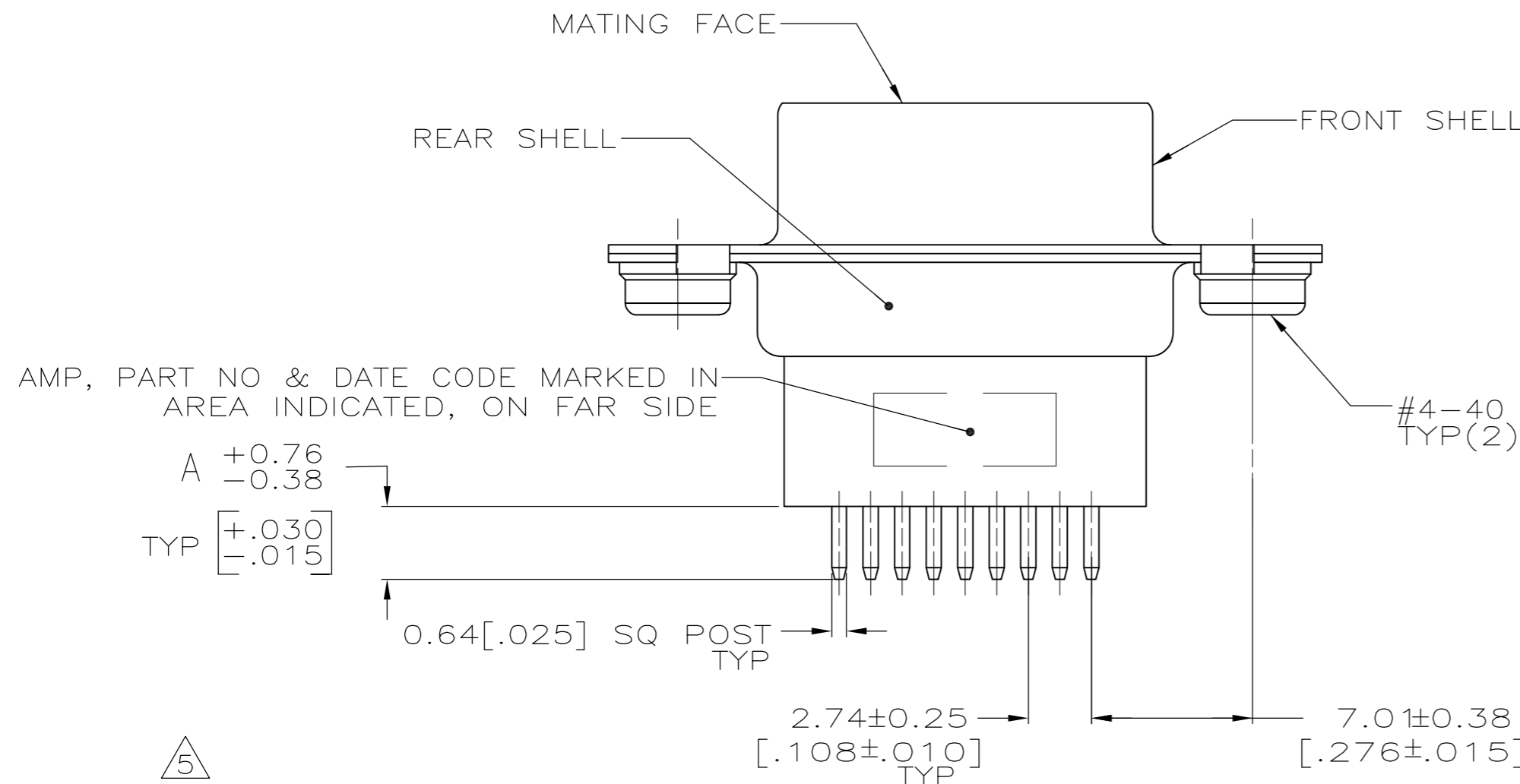


THIS DRAWING IS UNPUBLISHED. RELEASED FOR PUBLICATION
 © COPYRIGHT BY TYCO ELECTRONICS CORPORATION. ALL RIGHTS RESERVED.

LOC	DIST	REVISIONS					
GP	00	P	LTR	DESCRIPTION	DATE	DWN	APVD
		J		REVISED PER ECO-10-000073	08FEB2010	CR	SB



- 1 MOLDED PARTS: BLACK NYLON OR POLYESTER, UL 94V-0 RATED, GLASS FILLED;
 CONTACTS: PHOSPHOR BRONZE
 SHELLS: CARBON STEEL
 CLINCH NUT: CARBON STEEL
- 2 GOLD FLASH FOR LENGTH OF 1.90 [.075] MIN FROM MATING END, 2.54μm [.000100] MIN TIN-LEAD FOR A LENGTH OF DIMENSION A FROM OPPOSITE END, BOTH OVER 1.27μm [.000050] MIN NICKEL.
- 3 0.76μm [.000030] MIN GOLD FOR LENGTH OF 1.90 [.075] MIN FROM MATING END, 2.54μm [.000100] MIN TIN-LEAD FOR A LENGTH OF DIMENSION A FROM OPPOSITE END, BOTH OVER 1.27μm [.000050] MIN NICKEL.
 -OR-
 GOLD FLASH OVER PALLADIUM-NICKEL, 0.76μm [.000030] MIN TOTAL FOR A LENGTH OF 1.90 [.075] MIN FROM MATING END, 2.54μm [.000100] MIN TIN-LEAD FOR A LENGTH OF DIMENSION A FROM OPPOSITE END, BOTH OVER 1.27μm [.000050] MIN NICKEL.
- 4 SHELLS: 5.08μm [.000200] MIN TIN OVER 2.54μm [.000100] MIN COPPER
 CLINCH NUT: ZINC PLATED WITH CLEAR CHROMATE COATING.
- 5 DATUMS AND BASIC DIMENSIONS ESTABLISHED BY CUSTOMER.



OBSOLETE	3	16.54 [.651]	747190-8
OBSOLETE	2	16.54 [.651]	747190-7
SUPSD BY 747190-4	3	10.85 [.427]	747190-6
SUPSD BY 747190-4	2	10.85 [.427]	747190-5
	3	4.78 [.188]	747190-4
OBSOLETE	2	4.78 [.188]	747190-3
	3	3.18 [.125]	747190-2
	2	3.18 [.125]	747190-1
CONTACT FINISH		DIMENSION A	PART NUMBER

THIS DRAWING IS A CONTROLLED DOCUMENT.		DWN J.GERACE 3-11-83	Tyco Electronics Corporation Harrisburg, PA 17105-3608
DIMENSIONS: mm [INCHES]		CHK J.GERACE 4-28-83	
TOLERANCES UNLESS OTHERWISE SPECIFIED:		APVD J. ASSINI 4-29-83	
0 PLC ± - 1 PLC ± - 2 PLC ± .013 [.005] 3 PLC ± - 4 PLC ± - ANGLES ± 2°		NAME RECEPTACLE ASSEMBLY, SIZE 1, 9 POS., VERTICAL, .025 SQ. POSTS, W/CLINCH NUTS, AMPLIMITE PRODUCT SPEC 108-40025 APPLICATION SPEC 114-40013 WEIGHT -	
MATERIAL 1	FINISH 4	CUSTOMER DRAWING	SIZE A2 CAGE CODE 00779 DRAWING NO C=747190 RESTRICTED TO - SCALE 4:1 SHEET 1 OF 1 REV J