



Chipsmall Limited consists of a professional team with an average of over 10 year of expertise in the distribution of electronic components. Based in Hongkong, we have already established firm and mutual-benefit business relationships with customers from,Europe,America and south Asia,supplying obsolete and hard-to-find components to meet their specific needs.

With the principle of “Quality Parts,Customers Priority,Honest Operation,and Considerate Service”,our business mainly focus on the distribution of electronic components. Line cards we deal with include Microchip,ALPS,ROHM,Xilinx,Pulse,ON,Everlight and Freescale. Main products comprise IC,Modules,Potentiometer,IC Socket,Relay,Connector.Our parts cover such applications as commercial,industrial, and automotives areas.

We are looking forward to setting up business relationship with you and hope to provide you with the best service and solution. Let us make a better world for our industry!



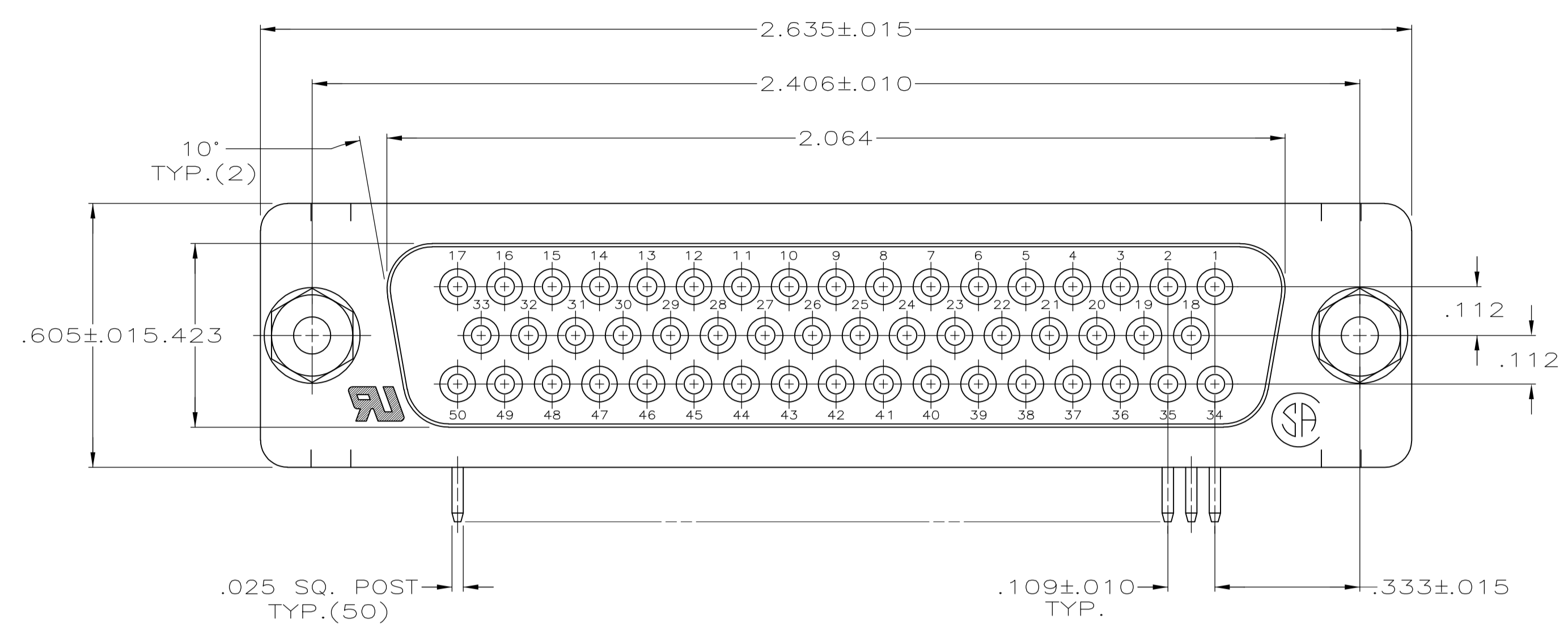
## Contact us

Tel: +86-755-8981 8866 Fax: +86-755-8427 6832

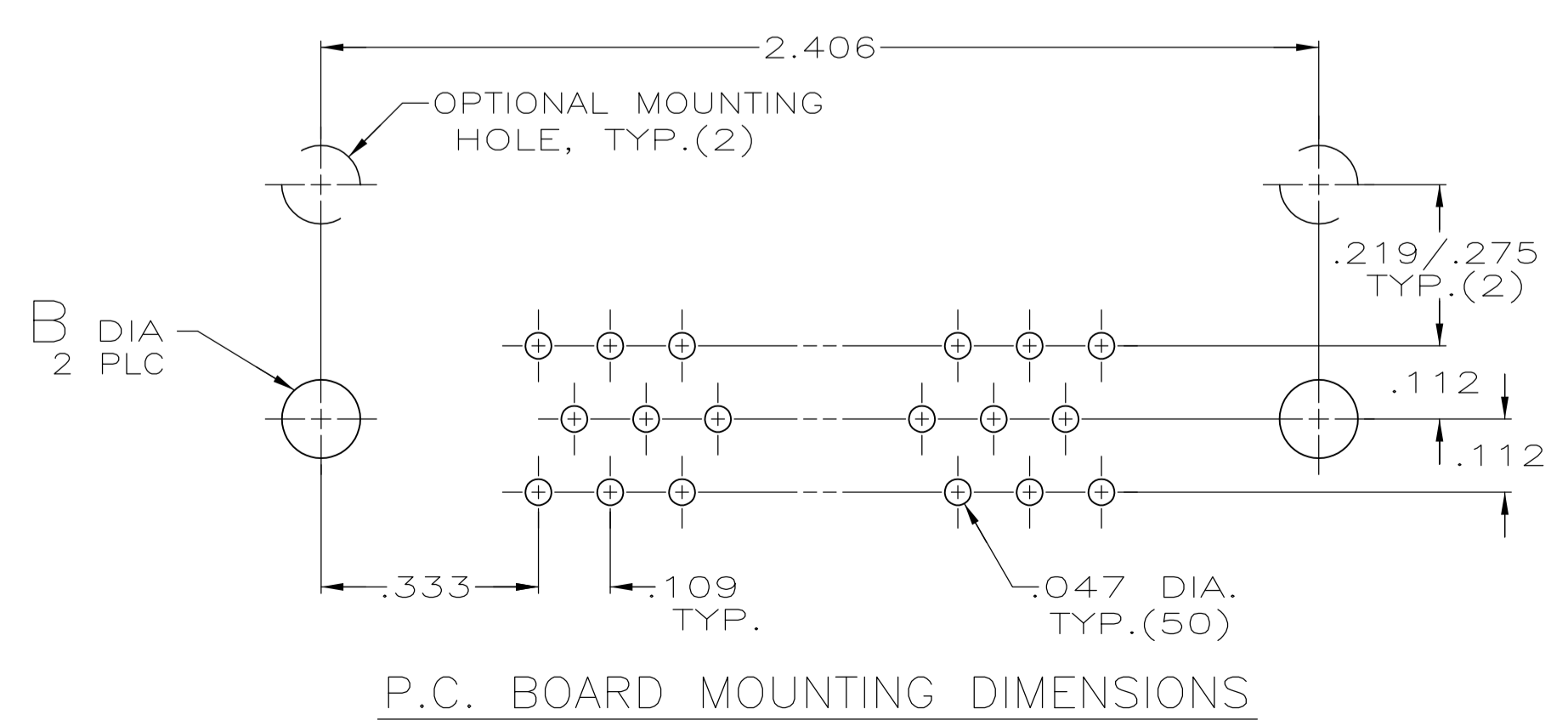
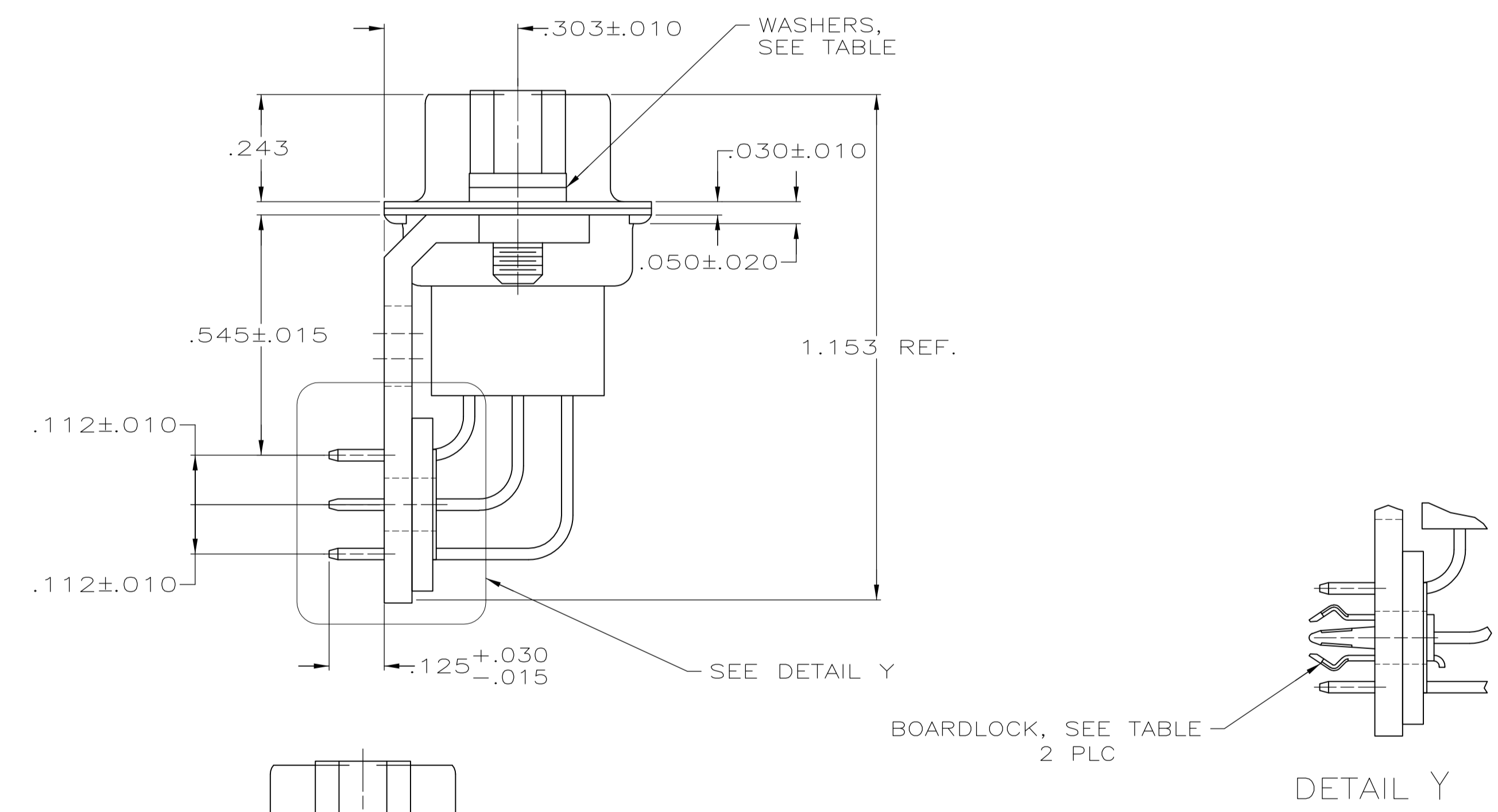
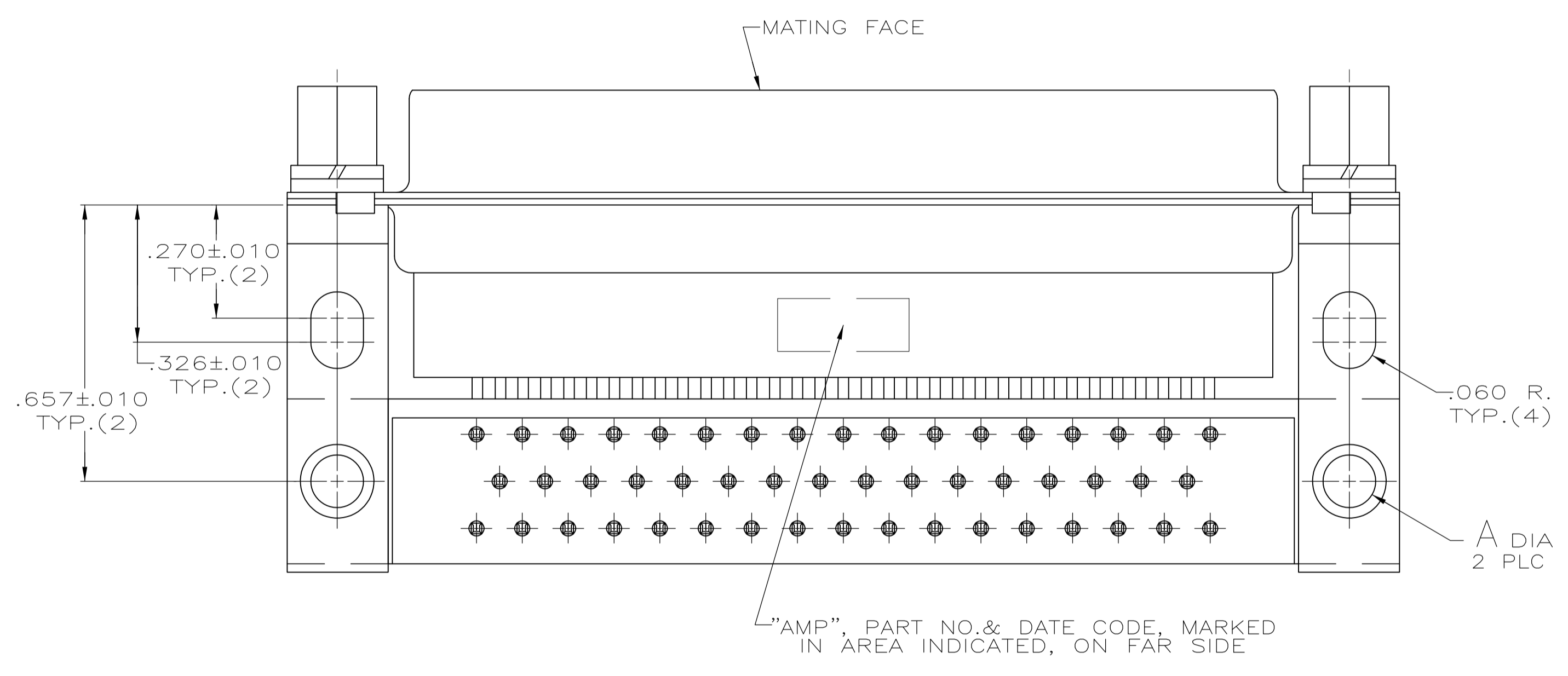
Email & Skype: info@chipsmall.com Web: www.chipsmall.com

Address: A1208, Overseas Decoration Building, #122 Zhenhua RD., Futian, Shenzhen, China





- 1 MOLDED PARTS: GLASS-FILLED PBT OR GLASS-FILLED NYLON, UL94V-0 RATED. COLOR: BLACK.  
CONTACTS: PHOSPHOR BRONZE  
SHELLS AND BRACKETS: STEEL  
SCREWLOCKS AND WASHERS: STEEL  
BOARDLOCK: BRASS
- 2 SHELLS: .000200 MIN TIN OT TIN-LEAD OVER .000100 MIN COPPER.  
BRACKETS: .000200 MIN TIN OVER .000050 MIN COPPER.  
SCREWLOCKS AND WASHERS: .000200 MIN ZINC WITH CLEAR CHROMATE COATING  
BOARDLOCK: .000150 MIN TIN-LEAD OVER .000050 MIN NICKEL.  
CONTACTS: SEE TABLE
- 3 GOLD FLASH FOR LENGTH OF .100 MIN FROM MATING END, .000100 MIN TIN-LEAD ON OPPOSITE END, BOTH OVER .000050 MIN NICKEL.
- 4 .000030 MIN GOLD FOR LENGTH OF .100 MIN FROM MATING END, .000100 MIN TIN-LEAD ON OPPOSITE END, BOTH OVER .000050 MIN NICKEL.  
-OR-  
GOLD FLASH OVER .000030 MIN PALLADIUM NICKEL FOR A LENGTH OF .100 MIN FROM MATING END, .000100 MIN TIN-LEAD ON OPPOSITE END, BOTH OVER .000050 MIN NICKEL.
- 5 ADVANCED PART NUMBER, NOT PRODUCTION TOOLED.
- 6 CONNECTOR MATES WITH ANY 50 POS. PLUG IN AMPLIMITE SERIES & COMPLIES WITH AMP SPEC. 109-40,005 WHERE APPLICABLE.



OBSOLETE	NO	YES	.125±.003	-	3	747193-5	
OBSOLETE	YES	YES	.125±.003	-	3	747193-4	
	YES	NO	.120	.120	4	5	747193-3
	YES	NO	.120	.120	4		747193-2
	YES	NO	.120	.120	3		747193-1
	WASHERS	BOARDLOCK	B	A	CONTACT FINISH	PART NUMBER	

THIS DRAWING IS A CONTROLLED DOCUMENT. DIN 8-27-84 J.GERACE. CJK 8-27-84 J.GERACE. NAME: RECEPTACLE ASSEMBLY, SIZE 5, 50 POS., RIGHT ANGLE, .545 SERIES, .025 SQ. POSTS, W/ SCREWLOCKS, AMPLIMITE HDP. SIZE: A1. CAGE CODE: 00779. DRAWING NO: 747193. WEIGHT: -. CUSTOMER DRAWING. SCALE: -. SHEET: 1 OF 1. REV: K.