



Chipsmall Limited consists of a professional team with an average of over 10 year of expertise in the distribution of electronic components. Based in Hongkong, we have already established firm and mutual-benefit business relationships with customers from,Europe,America and south Asia,supplying obsolete and hard-to-find components to meet their specific needs.

With the principle of “Quality Parts,Customers Priority,Honest Operation,and Considerate Service”,our business mainly focus on the distribution of electronic components. Line cards we deal with include Microchip,ALPS,ROHM,Xilinx,Pulse,ON,Everlight and Freescale. Main products comprise IC,Modules,Potentiometer,IC Socket,Relay,Connector.Our parts cover such applications as commercial,industrial, and automotives areas.

We are looking forward to setting up business relationship with you and hope to provide you with the best service and solution. Let us make a better world for our industry!



Contact us

Tel: +86-755-8981 8866 Fax: +86-755-8427 6832

Email & Skype: info@chipsmall.com Web: www.chipsmall.com

Address: A1208, Overseas Decoration Building, #122 Zhenhua RD., Futian, Shenzhen, China



6

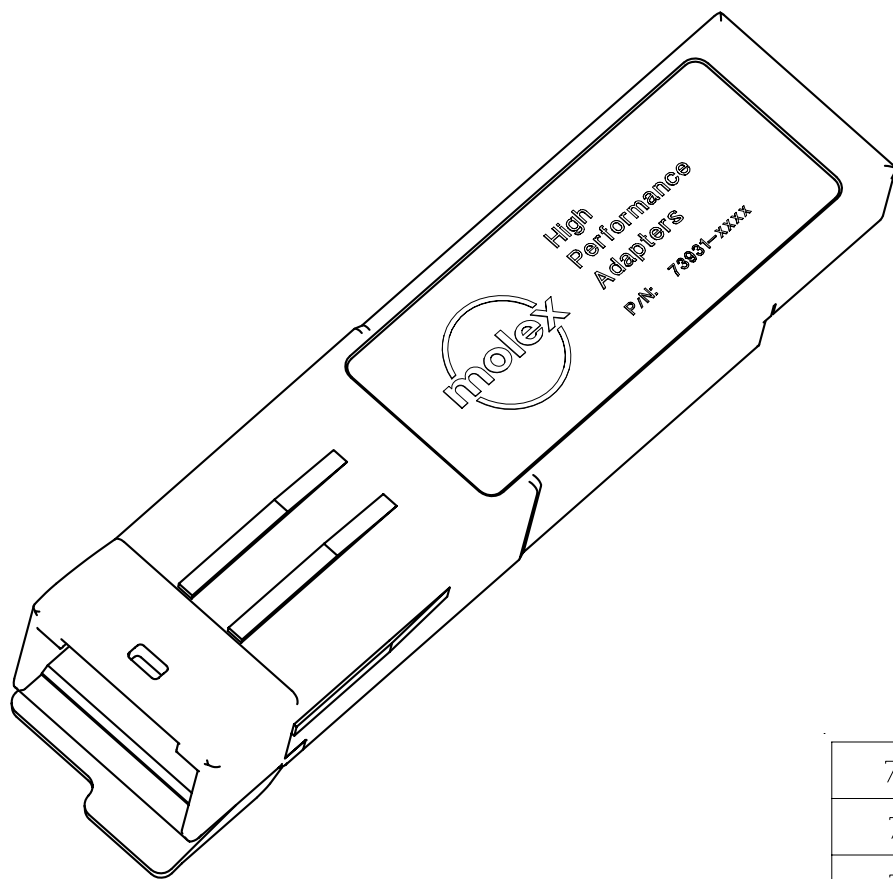
5

4

3

2

74720



1. Mates to SFP components which comply to standard MSA dimension specifications; accepts plugs conforming to HSSDC2 specs.
2. Robust zinc die cast body, bright tin plated. Mounts belly-to-belly using .093"+ boards.
3. Raised wedges assure electrical contact with surrounding EMI cage assembly.
4. Spring loaded latch releases with simple squeeze, and pull action.
5. Keying and electrical performance meets Infiniband and Fiber Channel callouts.
6. 100 or 150 ohm versions available.
7. Supports serial ID functionality.
8. Up to 2.5 Gb/s data rates.
9. 3.3V or 5V single supply.
10. Hot pluggable.

74720-0202	FIBER CHANNEL KEY, 150 OHM ACTIVE WITH SERIAL ID
74720-0201	FIBER CHANNEL KEY, 150 OHM ACTIVE W/O SERIAL ID
74720-0102	INFINIBAND KEY, 100 OHM ACTIVE WITH SERIAL ID
74720-0101	INFINIBAND KEY, 100 OHM ACTIVE W/O SERIAL ID

INITIAL SALES DRAWING EC NO: UDT2001-1462 DRWN: DIRKERS 2001/06/15 CHKD: DIRKERS 2001/06/15 APPR: BRUSSELL 2001/06/19	QUALITY SYMBOLS 	GENERAL TOLERANCES (UNLESS SPECIFIED)		SCALE 6:1	DESIGN UNITS METRIC	THIRD ANGLE PROJECTION	REVISE ON CAD ONLY	
				DIMENSION STYLE MM/IN		TITLE ADAPTER, HSSDC2 TO SFP		
		4 PLACES ± --- ± ---	3 PLACES ± --- ± .005	DRAWN BY DIRKERS	DATE 2001/06/15	MOLEX INCORPORATED		
		2 PLACES ± 0.13 ± ---	1 PLACE ± --- ± ---	CHECKED BY DIRKERS	DATE 2001/06/15	MATERIAL NO. SEE TABLE	DOCUMENT NO. SD-74720-101	SHEET NO. 1 OF 3
		ANGULAR ±1/2°		APPROVED BY	DATE			
		DRAFT WHERE APPLICABLE MUST REMAIN WITHIN DIMENSIONS		THIS DRAWING CONTAINS INFORMATION THAT IS PROPRIETARY TO MOLEX INCORPORATED AND SHOULD NOT BE USED WITHOUT WRITTEN PERMISSION				

5

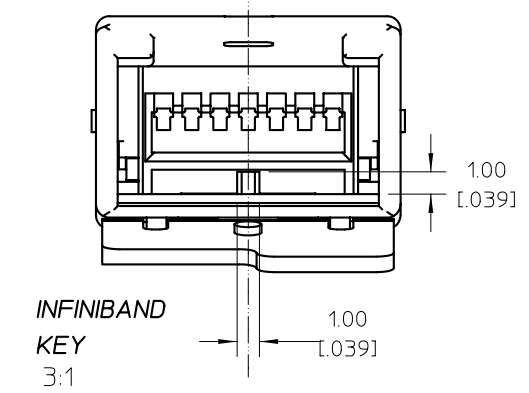
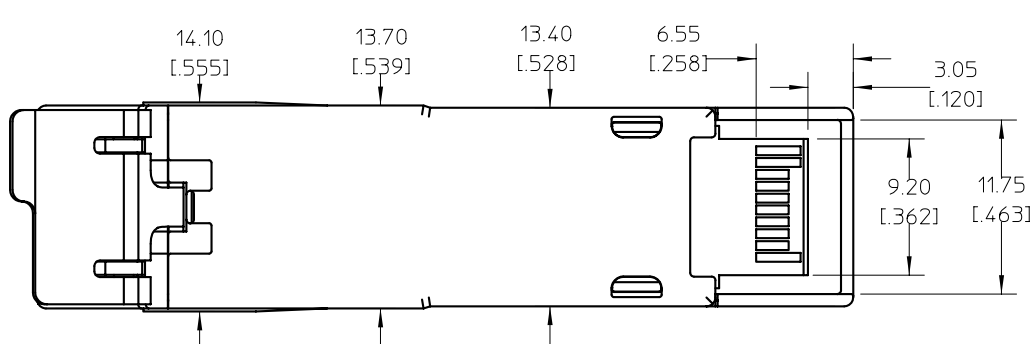
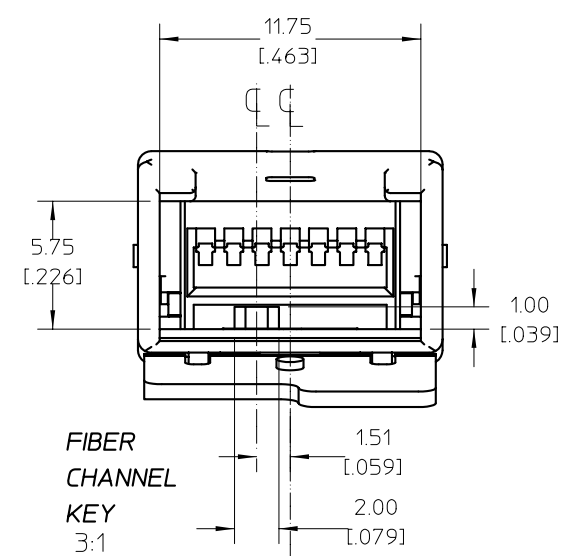
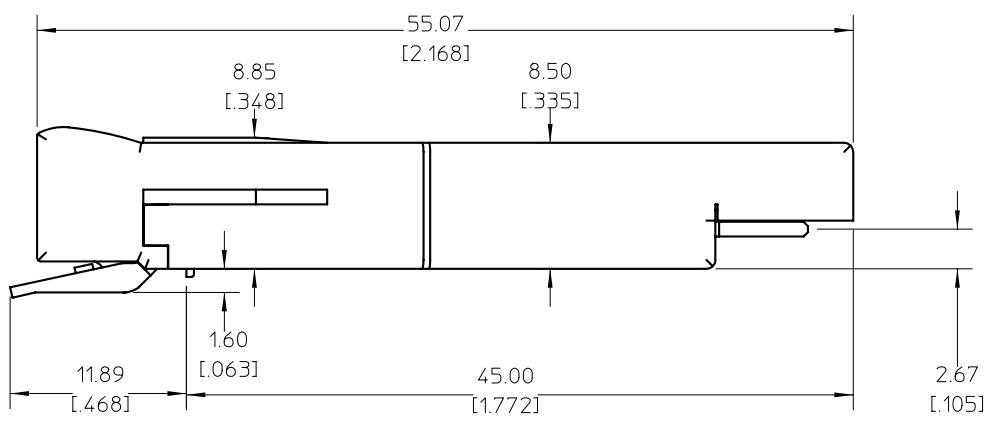
4

3

2

1

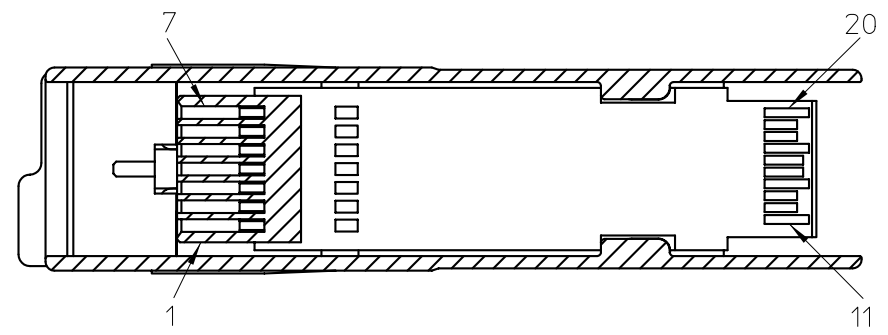
74720



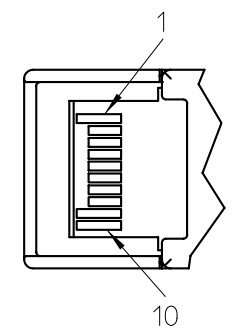
INITIAL SALES DRAWING EC NO: UDT2001-1462 DRWN: DIRKERS 2001/06/15 CHKD: DIRKERS 2001/06/15 APPR: BRUSSELL 2001/06/19	QUALITY SYMBOLS ▽ = 0 ∇ = 0	GENERAL TOLERANCES (UNLESS SPECIFIED)		SCALE 6:1	DESIGN UNITS METRIC	THIRD ANGLE PROJECTION	REVISE ON CAD ONLY			
			mm	INCH	DIMENSION STYLE MM/IN		TITLE ADAPTER, HSSDC2 TO SFP			
		4 PLACES	± ---	± ---	DRAWN BY DIRKERS	DATE 2001/06/15	MOLEX INCORPORATED MATERIAL NO. SEE TABLE DOCUMENT NO. SD-74720-101 SHEET NO. 2 OF 3			
		3 PLACES	± ---	± .005	CHECKED BY DIRKERS	DATE 2001/06/15				
2 PLACES	± 0.13	± ---	APPROVED BY		DATE	THIS DRAWING CONTAINS INFORMATION THAT IS PROPRIETARY TO MOLEX INCORPORATED AND SHOULD NOT BE USED WITHOUT WRITTEN PERMISSION				
1 PLACE	± ---	± ---	DATE							
ANGULAR ±1/2°			DRAFT WHERE APPLICABLE							
			MUST REMAIN WITHIN DIMENSIONS							

6 5 4 3 2

Top View
Cutaway



Bottom
View



FIBER CHANNEL
WIRING
OPTION

7	Gnd
6	TD-
5	TD+
4	Gnd
3	RD+
2	RD-
1	Gnd

INFINIBAND
WIRING
OPTION

7	Gnd
6	TD+
5	TD-
4	Gnd
3	RD-
2	RD+
1	Gnd

Gnd T	20	1	Gnd T
TD-	19	2	Gnd T
TD+	18	3	Tx Disable
Gnd T	17	4	MOD-DEF(2)
VccT	16	5	MOD-DEF(1)
VccR	15	6	MOD-DEF(0)
Gnd R	14	7	Rate Select
RD+	13	8	LOS
RD-	12	9	Gnd R
Gnd R	11	10	Gnd R

INITIAL SALES DRAWING
EC NO: UDT2001-1462
DRWN: DIRKERS 2001/06/15
CHKD: DIRKERS 2001/06/15
APPR: BRUSSELL 2001/06/19

QUALITY SYMBOLS
▽ = 0
∇ = 0

GENERAL TOLERANCES (UNLESS SPECIFIED)

	mm	INCH
4 PLACES	± ---	± ---
3 PLACES	± ---	± .005
2 PLACES	± 0.13	± ---
1 PLACE	± ---	± ---

ANGULAR ±1/2°
DRAFT WHERE APPLICABLE
MUST REMAIN WITHIN DIMENSIONS

SCALE 2:1
DESIGN UNITS METRIC
DIMENSION STYLE MM/IN
DRAWN BY DIRKERS DATE 2001/06/15
CHECKED BY DIRKERS DATE 2001/06/15
APPROVED BY DATE

THIRD ANGLE PROJECTION
REVISE ON CAD ONLY
TITLE ADAPTER, HSSDC2 TO SFP
MOLEX INCORPORATED
MATERIAL NO. SEE TABLE
DOCUMENT NO. SD-74720-101
SHEET NO. 3 OF 3
THIS DRAWING CONTAINS INFORMATION THAT IS PROPRIETARY TO MOLEX INCORPORATED AND SHOULD NOT BE USED WITHOUT WRITTEN PERMISSION