



Chipsmall Limited consists of a professional team with an average of over 10 year of expertise in the distribution of electronic components. Based in Hongkong, we have already established firm and mutual-benefit business relationships with customers from,Europe,America and south Asia,supplying obsolete and hard-to-find components to meet their specific needs.

With the principle of "Quality Parts,Customers Priority,Honest Operation,and Considerate Service",our business mainly focus on the distribution of electronic components. Line cards we deal with include Microchip,ALPS,ROHM,Xilinx,Pulse,ON,Everlight and Freescale. Main products comprise IC,Modules,Potentiometer,IC Socket,Relay,Connector.Our parts cover such applications as commercial,industrial, and automotives areas.

We are looking forward to setting up business relationship with you and hope to provide you with the best service and solution. Let us make a better world for our industry!



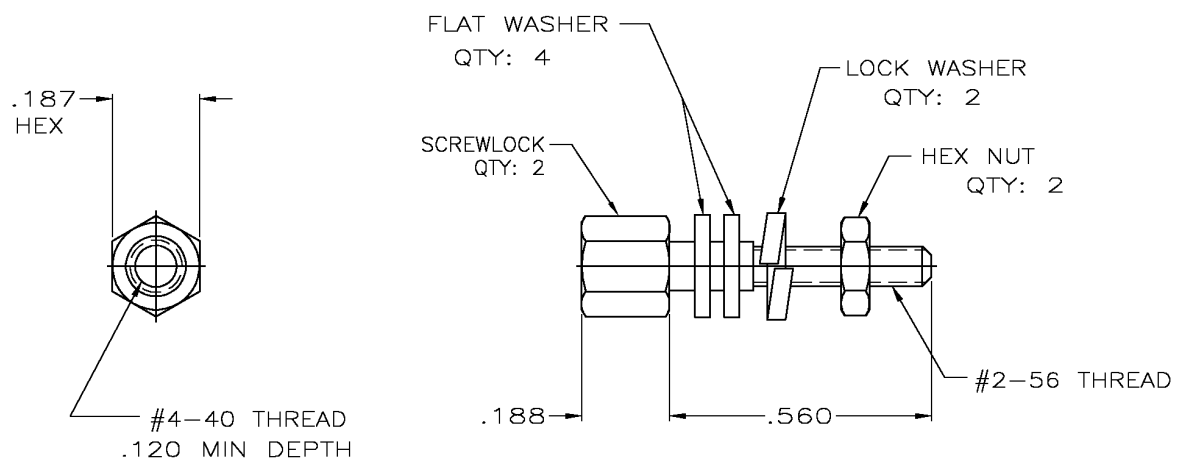
Contact us

Tel: +86-755-8981 8866 Fax: +86-755-8427 6832

Email & Skype: info@chipsmall.com Web: www.chipsmall.com

Address: A1208, Overseas Decoration Building, #122 Zhenhua RD., Futian, Shenzhen, China





- ① COLD ROLLED STEEL.
- ② ZINC PLATED PER ASTM B633, TYPE II, CLASS SCI, YELLOW CHROMATE.
- ③ ZINC PLATED PER ASTM B633, TYPE III, CLASS SCI, CLEAR CHROMATE.
- 4. PARTS PACKAGED UNASSEMBLED..
- ⑤ PARTS PACKED AS A UNIT KIT.
- ⑥ PARTS INDIVIDUALLY BULK PACKED & SHIPPED AS A UNIT PACKAGE.

| | | | |
|------------------------|-----------|--------|----------|
| SUPERSEDED BY 747223-3 | ⑥ | ③ | 747223-4 |
| | ⑤ | ③ | 747223-3 |
| OBSOLETE | ⑥ | ② | 747223-2 |
| | ⑤ | ② | 747223-1 |
| | PACKAGING | FINISH | PART NO |

| | | | | |
|--|--|--|------------------------------|--|
| THIS DRAWING IS A CONTROLLED DOCUMENT. | | DWN S. WAITMAN 4MAR04 | Tyco Electronics Corporation | |
| | | CHK S. SHUEY 4MAR04 | Harrisburg, Pa 17105-3608 | |
| | | APVD M. WALMSLEY 4MAR04 | NAME | |
| DIMENSIONS: INCHES | | PRODUCT SPEC | | |
| TOLERANCES UNLESS OTHERWISE SPECIFIED: | | APPLICATION SPEC | | |
| 0 PLC ± - 1 PLC ± - 2 PLC ± - 3 PLC ± .005 4 PLC ± - ANGLES ± - | | SIZE CAGE CODE DRAWING NO A3 00779 C-747223 | | |
| MATERIAL ① | | RESTRICTED TO | | |
| FINISH SEE TABLE | | WEIGHT - | | |
| | | CUSTOMER DRAWING | | |
| | | SCALE 4:1 SHEET 1 OF 1 REV D | | |