



Chipsmall Limited consists of a professional team with an average of over 10 year of expertise in the distribution of electronic components. Based in Hongkong, we have already established firm and mutual-benefit business relationships with customers from,Europe,America and south Asia,supplying obsolete and hard-to-find components to meet their specific needs.

With the principle of “Quality Parts,Customers Priority,Honest Operation,and Considerate Service”,our business mainly focus on the distribution of electronic components. Line cards we deal with include Microchip,ALPS,ROHM,Xilinx,Pulse,ON,Everlight and Freescale. Main products comprise IC,Modules,Potentiometer,IC Socket,Relay,Connector.Our parts cover such applications as commercial,industrial, and automotives areas.

We are looking forward to setting up business relationship with you and hope to provide you with the best service and solution. Let us make a better world for our industry!



Contact us

Tel: +86-755-8981 8866 Fax: +86-755-8427 6832

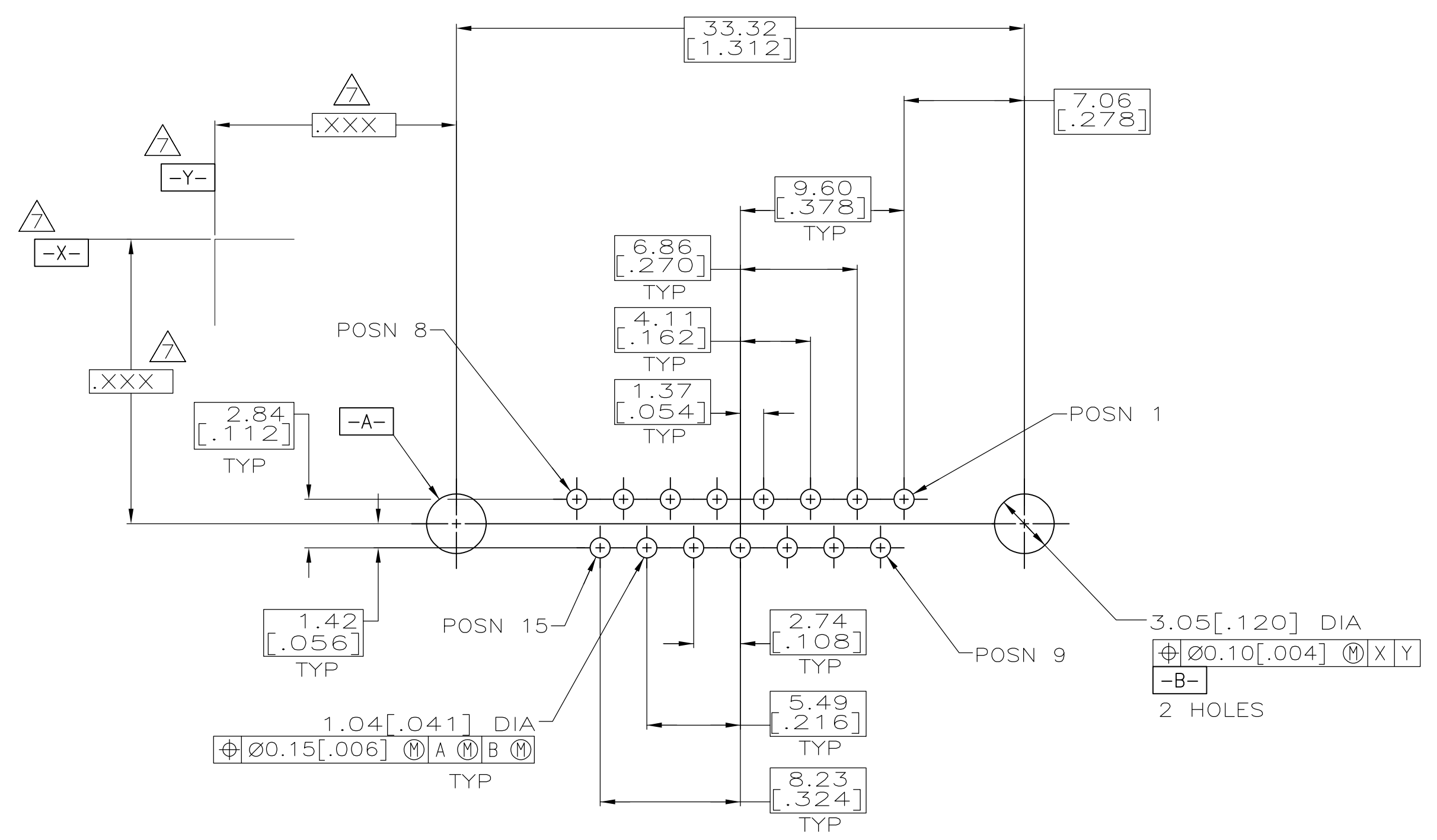
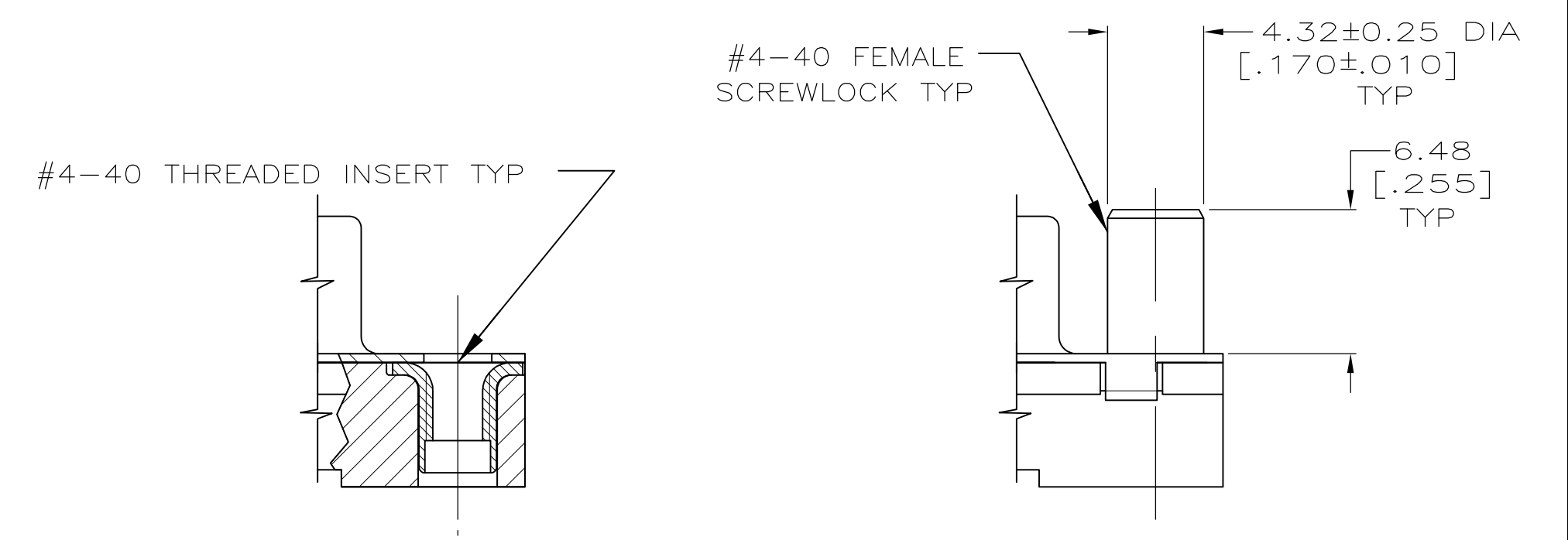
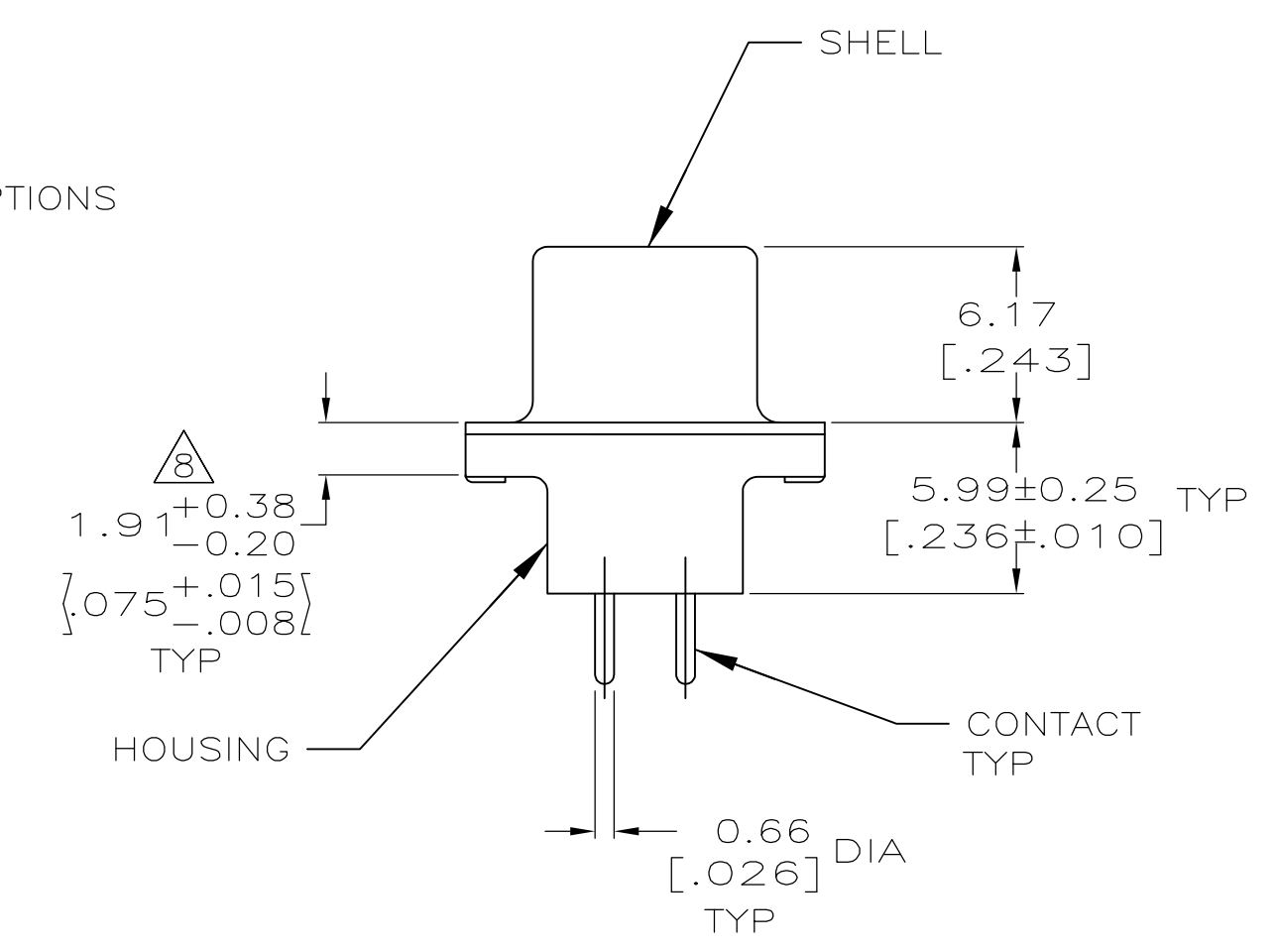
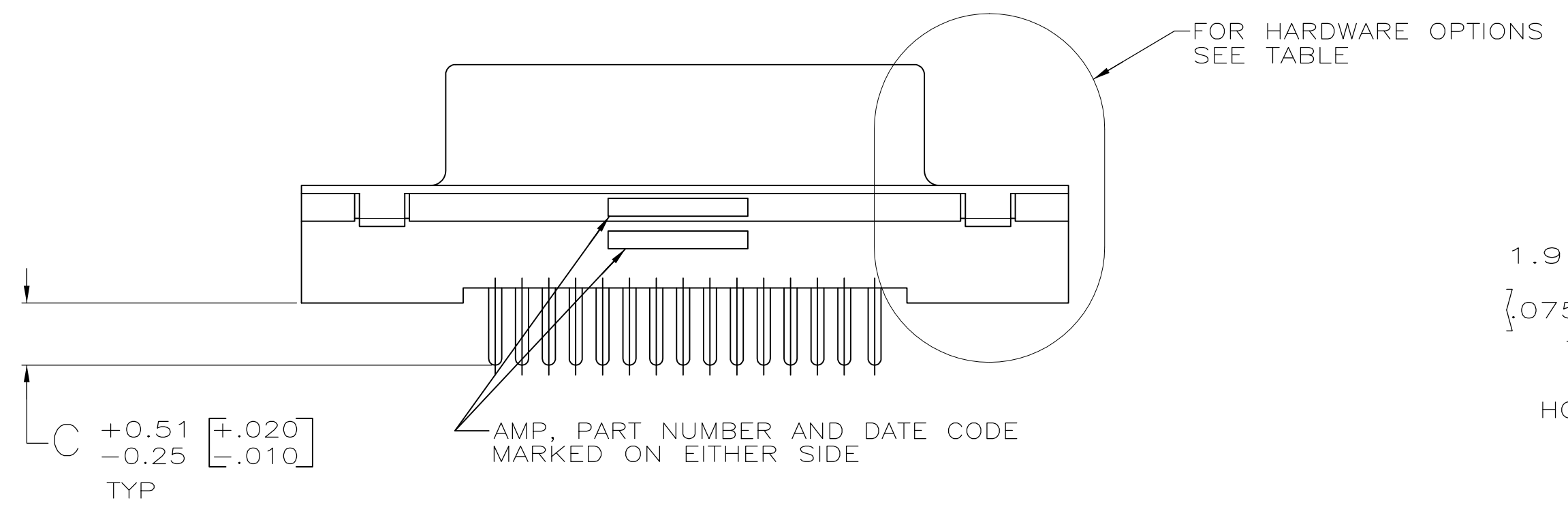
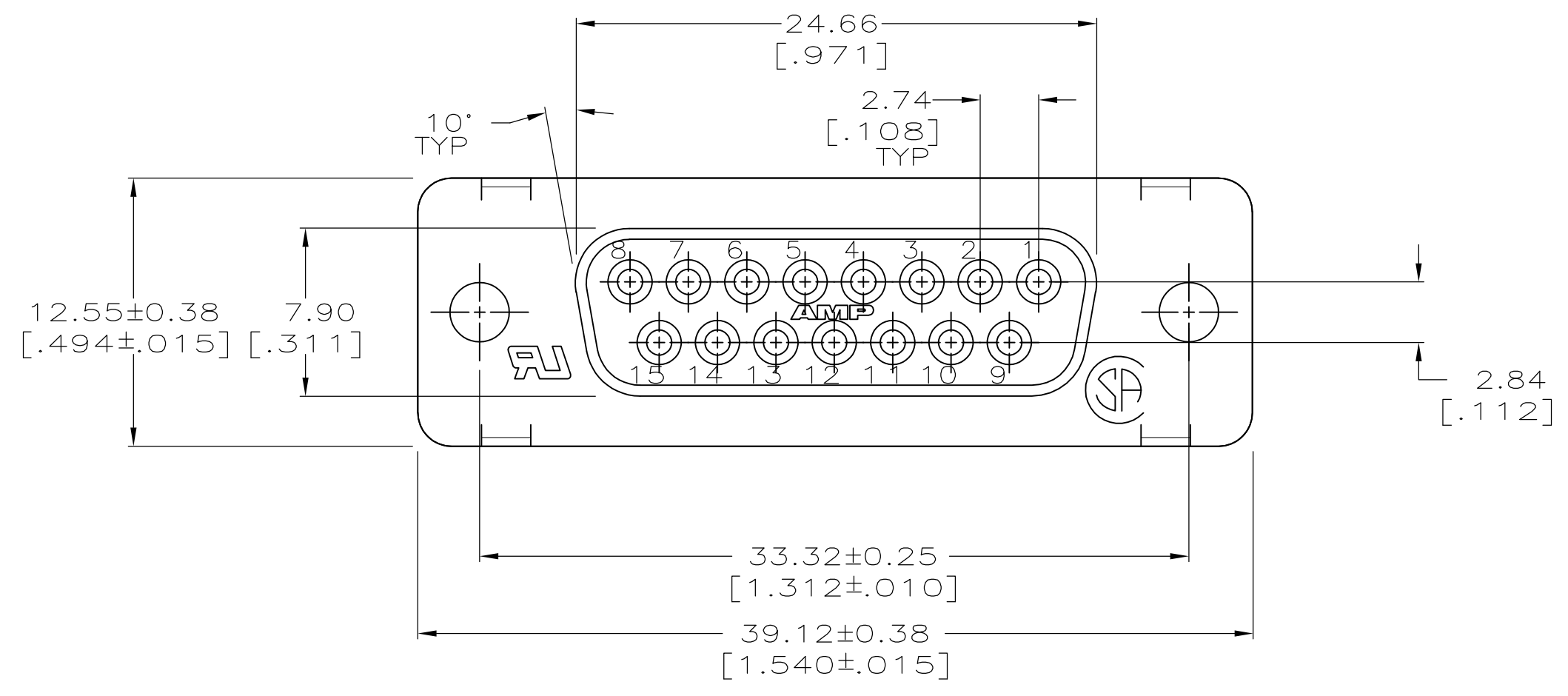
Email & Skype: info@chipsmall.com Web: www.chipsmall.com

Address: A1208, Overseas Decoration Building, #122 Zhenhua RD., Futian, Shenzhen, China



LOC	DIST	REVISIONS			
P	LTR	DESCRIPTION	DATE	OWN	APVD
GP	00	L1 REVISED PER ECO-11-004835	11MAR11	RK	HMR

- ▲ POLYESTER, UL 94V-0 RATED, BLACK.
- ▲ CARBON STEEL.
- ▲ 5.08um [.000200] MIN TIN OVER 2.54um [.000100] MIN COPPER.
- ▲ GOLD FLASH FOR A LENGTH OF 2.54[.100] MIN FROM MATING END, 2.54um [.000100] MIN TIN OR TIN-LEAD ON OPPOSITE END, BOTH OVER 1.27um [.000050] MIN NICKEL.
- ▲ 0.76um [.000030] MIN GOLD FOR A LENGTH OF 2.54 [.100] MIN FROM MATING END, 2.54um [.000100] MIN TIN OR TIN-LEAD ON OPPOSITE END, BOTH OVER 1.27um [.000050] MIN NICKEL.
- ▲ NOTE DELETED.
- ▲ DATUMS AND BASIC DIMENSIONS ESTABLISHED BY CUSTOMER.
- ▲ 2.79[.110] MAX IN SHELL TAB CLINCH AREAS.
- ▲ OBSOLETE PART NUMBER.
- ▲ SUPSD BY 747299-2.
- ▲ SUPSD BY 1-747299-6.



RECOMMENDED PC BOARD MOUNTING DIMENSIONS

DESCRIPTION	CONTACTS	FINISH	C	PART NO
W/FEMALE SCREWLOCKS PER DETAIL E	▲5	4.32 [0.170]	▲1	1-747299-6
	▲4	4.32 [0.170]	▲1	1-747299-5
	▲5	3.18 [0.125]	▲9	1-747299-3
W/THREADED INSERTS PER DETAIL D	▲5	4.32 [0.170]	▲9	1-747299-0
	▲5	3.18 [0.125]	▲9	747299-8
	▲4	3.18 [0.125]	▲9	747299-7
WO/FEMALE SCREWLOCKS OR THREADED INSERTS AS SHOWN	▲5	6.35 [0.250]	▲9	747299-6
	▲5	4.32 [0.170]	▲9	747299-4
	▲4	3.18 [0.125]	▲10	747299-2

THIS DRAWING IS A CONTROLLED DOCUMENT. DWN: D BROCKWAY 3-22-93, CHR: R STONE 5-10-93, APVD: -

STE TE Connectivity

PRODUCT SPEC: 108-40025
APPLICATION SPEC: 114-40023

RECEPTACLE ASSEMBLY, SIZE 2, 15 POSITION, FRONT METAL SHELL, WITH OR WITHOUT SCREWLOCKS OR INSERTS.

SIZE: A1, CAGE CODE: 00779, DRAWING NO: 747299, WEIGHT: -

CUSTOMER DRAWING, SCALE: 4:1, SHEET: 1 OF 1, REV: L1