



Chipsmall Limited consists of a professional team with an average of over 10 year of expertise in the distribution of electronic components. Based in Hongkong, we have already established firm and mutual-benefit business relationships with customers from,Europe,America and south Asia,supplying obsolete and hard-to-find components to meet their specific needs.

With the principle of "Quality Parts,Customers Priority,Honest Operation,and Considerate Service",our business mainly focus on the distribution of electronic components. Line cards we deal with include Microchip,ALPS,ROHM,Xilinx,Pulse,ON,Everlight and Freescale. Main products comprise IC,Modules,Potentiometer,IC Socket,Relay,Connector.Our parts cover such applications as commercial,industrial, and automotives areas.

We are looking forward to setting up business relationship with you and hope to provide you with the best service and solution. Let us make a better world for our industry!



Contact us

Tel: +86-755-8981 8866 Fax: +86-755-8427 6832

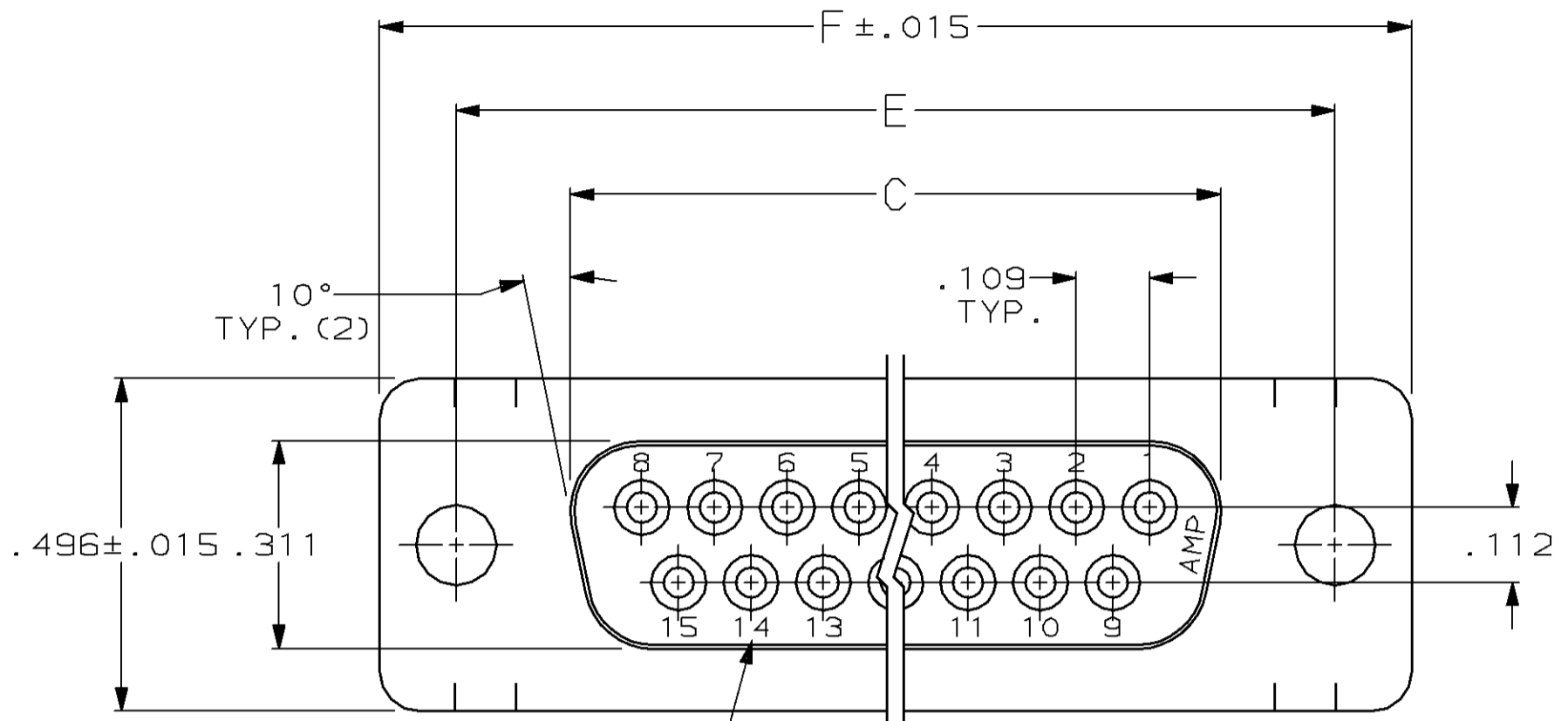
Email & Skype: info@chipsmall.com Web: www.chipsmall.com

Address: A1208, Overseas Decoration Building, #122 Zhenhua RD., Futian, Shenzhen, China



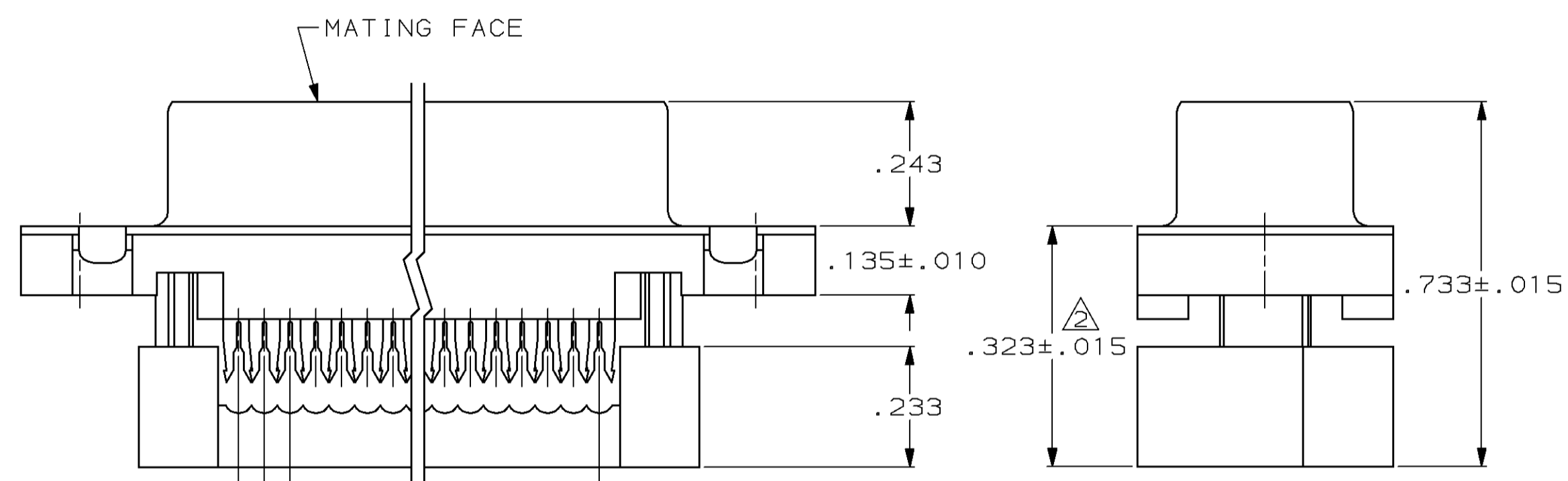
THIS DRAWING IS UNPUBLISHED. RELEASED FOR PUBLICATION
 BY AMP INCORPORATED. ALL RIGHTS RESERVED.

| Loc | | DIST | | REVISIONS | | | |
|-----|-----|-------------|--|---------------------------------|----------|-------|--|
| P | LTR | DESCRIPTION | | DATE | DWN | APVD | |
| AR | 34 | D | | OBSOLETED -5 PER EC 0020-311-94 | 03/09/95 | LG DK | |

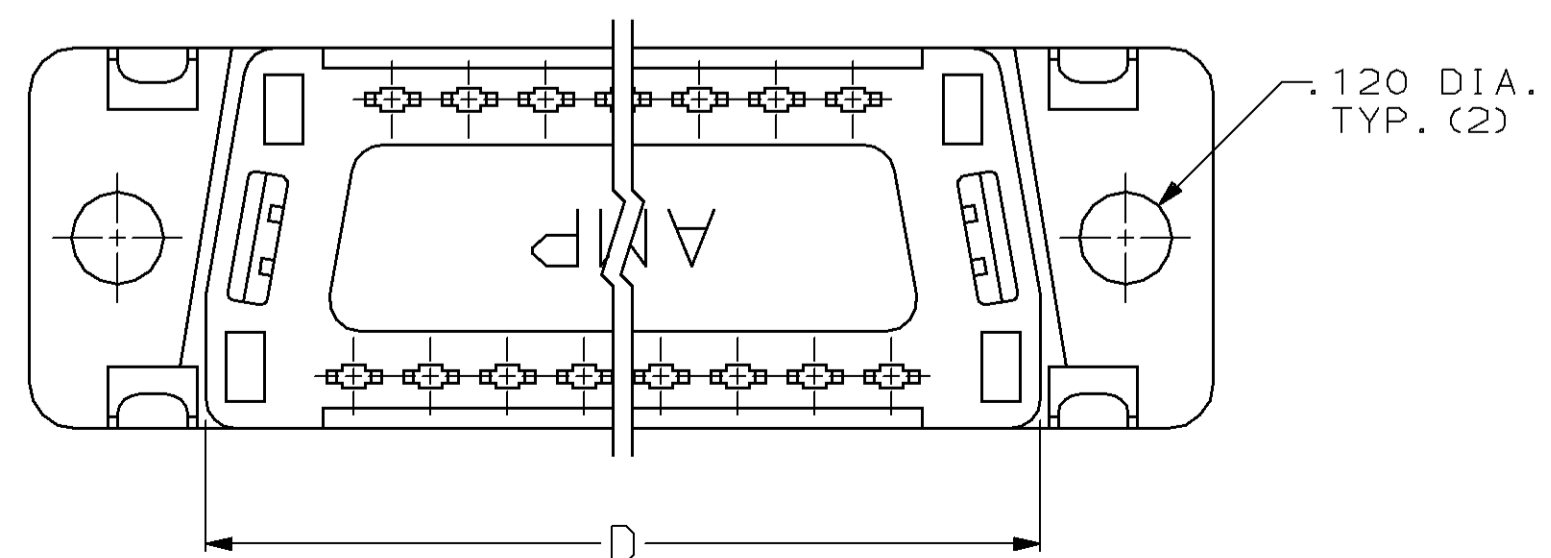


DEPRESSED CAVITY IDENTIFICATION
(15 POSITION SHOWN)

- CONNECTOR DESIGNED FOR 28 AND 26 AWG STRANDED AND SOLID CONDUCTOR RIBBON CABLE ON .050 ϕ .
- $\triangle 2$ DIMENSION APPLIES TO TERMINATED CONNECTOR.
- $\triangle 3$ MOLDED PARTS: THERMOPLASTIC, 94V-0 RATED, FLAME RETARDANT, BLACK. SHELL: STEEL PER QQ-S-698. CONTACTS: PHOSPHOR BRONZE PER QQ-B-750.
- $\triangle 4$ GOLD PLATING PER MIL-G-45204, BRIGHT TIN PLATING PER MIL-T-10727, TIN-LEAD PLATING PER MIL-P-81728, NICKEL PLATING PER QQ-N-290.
- $\triangle 5$ SHELL: BRIGHT TIN PLATED. CONTACTS: .000030 MIN GOLD IN LOCALIZED GOLD PLATE AREA, .000100-.000200 TIN-LEAD ON TERMINATION END, ALL OVER .000050 MIN NICKEL ON ENTIRE CONTACT.



.050 REF.
.100 REF.
A SPACES AT .050 = B



| F | E | D | C | B | A | NO OF POSN | PART NUMBER |
|-------|-------|-------|-------|-------|----|------------|-------------|
| 1.764 | 1.526 | 1.287 | 1.140 | .900 | 18 | 19 | 747303-5 |
| 1.216 | .984 | .759 | .643 | .400 | 8 | 9 | 747303-4 |
| 1.541 | 1.312 | 1.087 | .971 | .700 | 14 | 15 | 747303-3 |
| 2.090 | 1.852 | 1.623 | 1.511 | 1.200 | 24 | 25 | 747303-2 |
| 2.732 | 2.500 | 2.275 | 2.159 | 1.800 | 36 | 37 | 747303-1 |

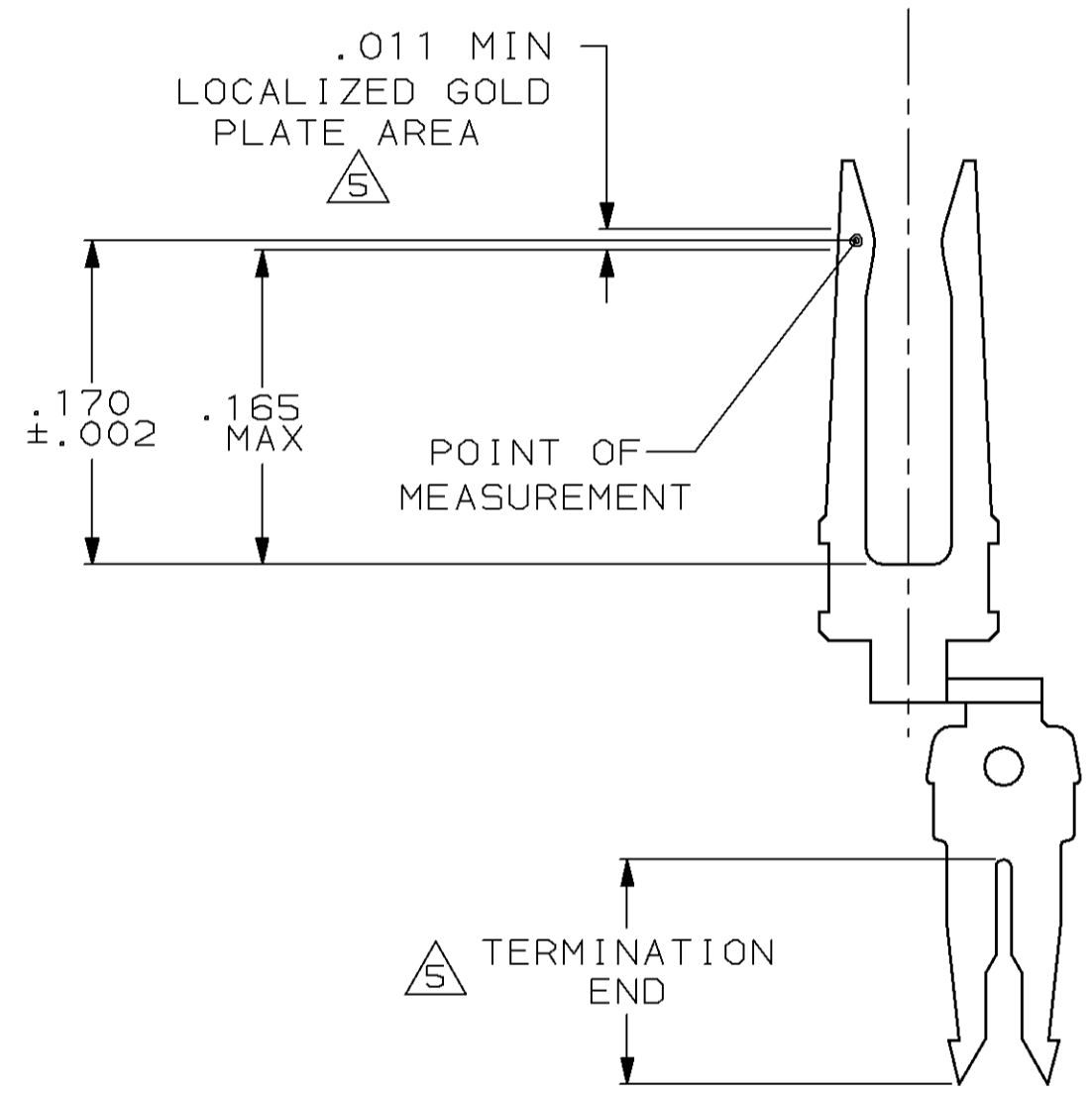
THIS DRAWING IS A CONTROLLED DOCUMENT FOR AMP INCORPORATED. IT IS SUBJECT TO CHANGE AND THE CONTROLLING ENGINEERING ORGANIZATION SHOULD BE CONTACTED FOR THE LATEST REVISION.

| | | | |
|--------------------|---|---|---|
| DIMENSIONS: INCHES | TOLERANCES UNLESS OTHERWISE SPECIFIED: 0 PLC ± 1 PLC ± 2 PLC ± 3 PLC ±.005 4 PLC ± ANGLES ±2° FINISH $\triangle 4/\triangle 3$ | DWN J.GERACE 09/15/83 CHK D.HOFFMAN 09/23/83 APVD T.LYZINSKI 09/29/83 PRODUCT SPEC 108-40012 APPLICATION SPEC - WEIGHT - CUSTOMER DRAWING | NAME RCPT ASSY, FRONT METAL SHELL, W/PREASSEMBLED COVER, LOW PROFILE HDF SIZE A2 CAGE CODE 00779 DRAWING NO C=747303 SCALE 4:1 SHEET 1 OF 2 REV D |
|--------------------|---|---|---|

747303

THIS DRAWING IS UNPUBLISHED. RELEASED FOR PUBLICATION
 BY AMP INCORPORATED. ALL RIGHTS RESERVED.

| LOC | DIST | REVISIONS | | | |
|-----|------|-------------|-------------|-----|------|
| P | LTR | DESCRIPTION | DATE | DWN | APVD |
| AR | 34 | D | SEE SHEET 1 | - | - |



CONTACT DETAIL
SCALE 10:1

747303

| | | | | |
|--|--|---|---|--|
| <small>THIS DRAWING IS A CONTROLLED DOCUMENT FOR AMP INCORPORATED. IT IS SUBJECT TO CHANGE AND THE CONTROLLING ENGINEERING ORGANIZATION SHOULD BE CONTACTED FOR THE LATEST REVISION.</small> | | DWN M.EPLER 11/03/87 CHK W.G.LENKER 11/03/87 APVD W.G.LENKER 11/03/87 | AMP AMP Incorporated Harrisburg, PA 17105-3608 | |
| DIMENSIONS: INCHES | | PRODUCT SPEC 108-40012 APPLICATION SPEC - WEIGHT - | NAME RCPT ASSY, FRONT METAL SHELL, W/PREASSEMBLED COVER, LOW PROFILE HDF SIZE A2 CAGE CODE 00779 DRAWING NO C-747303 | |
| TOLERANCES UNLESS OTHERWISE SPECIFIED: 0 PLC ±- 1 PLC ±- 2 PLC ±- 3 PLC ±.005 4 PLC ±- ANGLES ±2° FINISH | | MATERIAL CUSTOMER DRAWING SCALE 4:1 SHEET 2 OF 2 REV D | | |